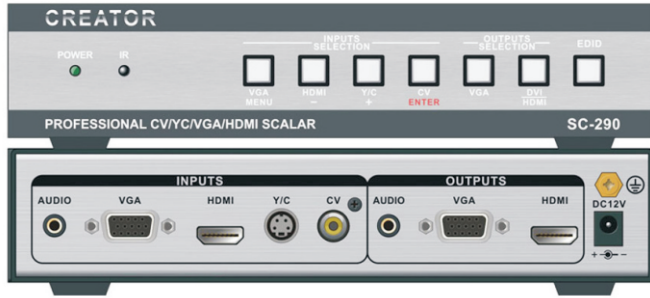


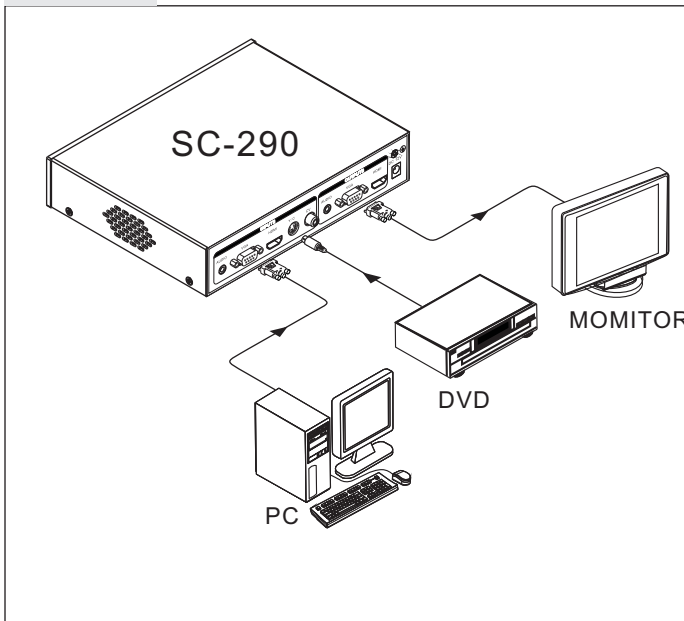
## SC-290 Scaler



### DESCRIPTION

SC-290 Scaler made by CREATOR can switch multiple signals into DVI and HDMI output in HD(high-definition) format. The VGA or HDMI output from PC graphic adaptor is connected to Full-HD (1080P) big TV screen via the switching of Scaler System, with maximum support up to 1920X1080@60Hz. Featuring excellent compatibility and high definition, this product supports a variety of resolutions from PC graphic adaptor.

### DIAGRAM



### FUNCTIONS&FEATURES

- 4-way video signal input:1-way CV, 1-way S-Video, 1-way VGA, 1-way HDMI/DVI, any way can be switched or changed to unified VGA/HDMI/DVI output e.g.: CV to VGA, CV to HDMI or CV to DVI
- 2-way video signal output: 1-way HDMI, 1-way VGA, support and self-adapt to the signal sources of composite video (CV) and S-Video(Y/C) in all formats including NTSC, PAL and SECAM.
- VIDEO (CV) , S-Video and HDMI are all with separated adjustable brightness, contrast, saturation, sharpness and hue. VGA is with separated adjustable brightness, contrast, color temperature and phase.
- Support 1-way unbalanced audio switching to 1-way unbalanced audio output.
- Support adjustment of the bass and treble, and balance of left and right channels.
- Support power-off memory
- Support OSD menu
- After switching all input groups, the VGA /HDMI/DVI video signal are supported to any of the following 11 resolutions output:
  - 1024×768@60Hz
  - 1280×720P@60Hz
  - 1280×800@60Hz
  - 1280×1024@60Hz
  - 1366×768@60Hz
  - 1400×1050@60Hz
  - 1440×900@60Hz
  - 1600×900@60Hz
  - 1600×1200@60Hz
  - 1680×1050@60Hz
  - 1920×1080P@60Hz
- Size:210mmLx164.5mmWx43.6mmH
- Weight:1kg