



adeo®

PROJECTION SCREENS
CATALOGUE



Adeo Screen: at the forefront in the projection screen sector for over 10 years.

Present on the international market since 2007, Adeo Screen saw its business increase considerably after investing in production facilities in Zlotoryja (Poland), with 3500 sqm between factory and warehouses and 1000 sqm of offices and showroom.

The Company soon established itself on the European market as a leading manufacturer of high-quality projection screens, founding its activity on few solid principles - research and design first and foremost -, to offer cutting-edge technology, always.

All our production processes are followed with the greatest care and attention. Our products are tailored to meet the actual needs of our customers, who can also rely on efficient pre- and post-sales support.

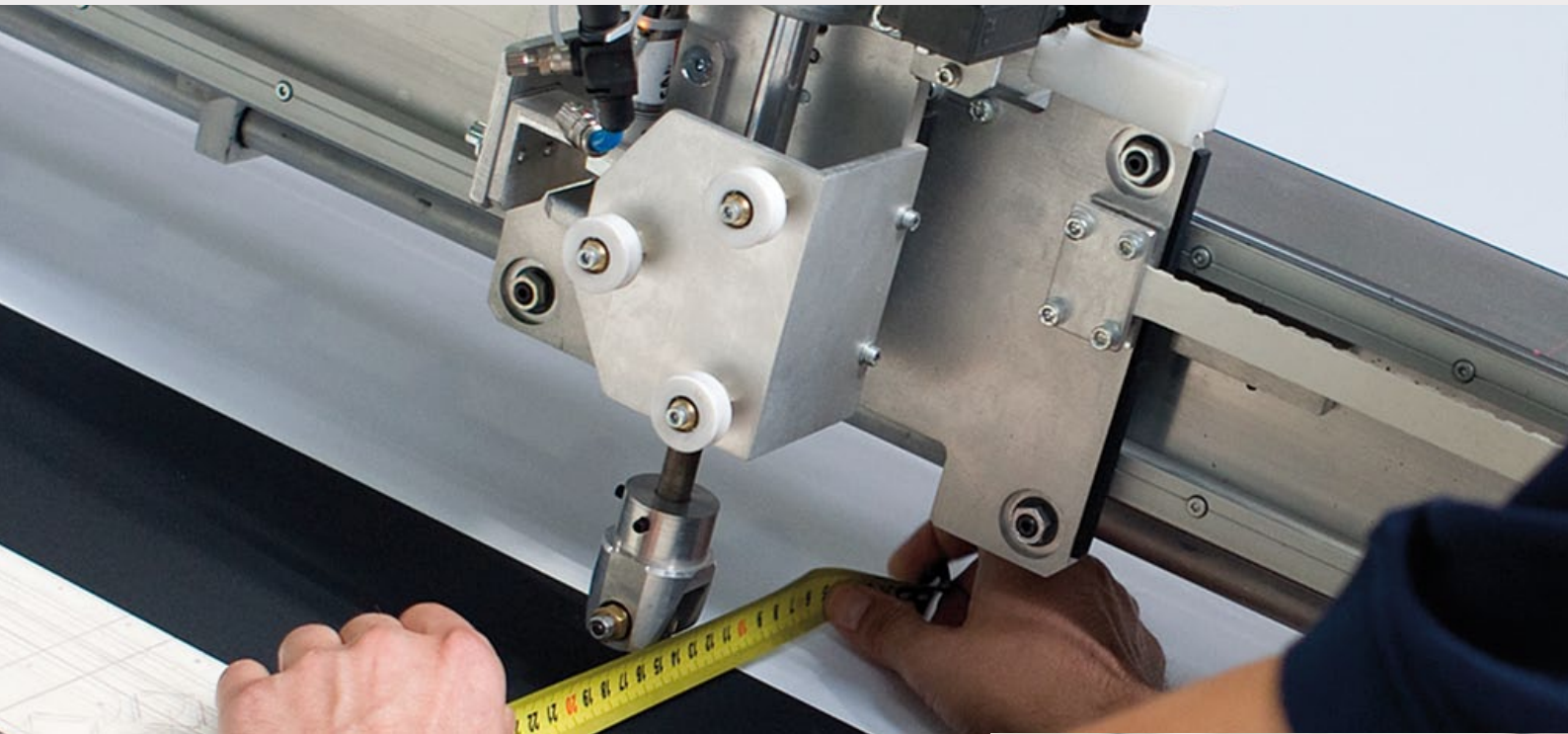
Adeo Screen is also attentive to product safety: each screen is accompanied by CE certification and by fireproof canvas classifications.

Our wide range of products, from motorized to fixed screens in various configurations, to projection surface solutions for rental and service applications, constitutes an offer of proven quality with constantly updated technological features.

With its comprehensive range of professional applications and of home-theatre solutions for private use, Adeo Screen sets itself as one of the leading brands of projection screens on the international market.



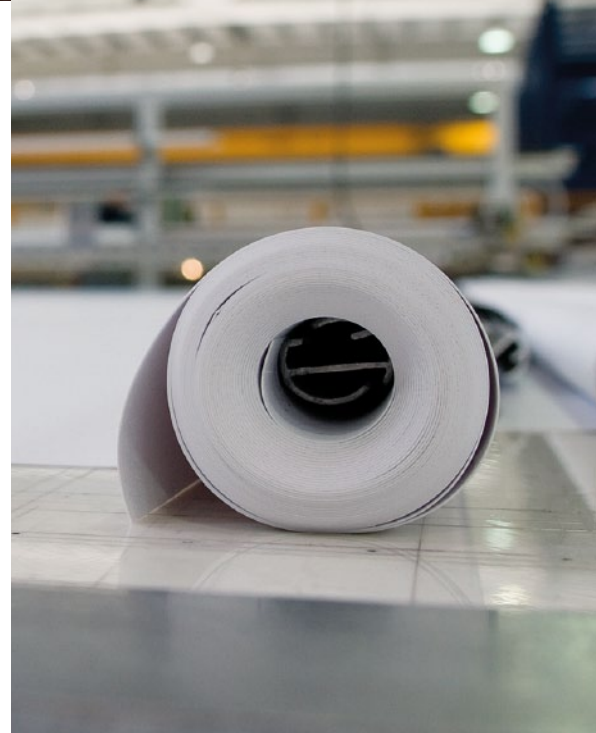
Quality System	3	Fixed Screens	
PSS Personal Screen System	4	Plano / Plano Velvet	32
Projection Surfaces	6	Plano Curved	33
Special Features	8	FrameLess	34
Motorized Tensioned Screens		FrameLess Curved	35
Elegance Tensio / Classic Tensio	11	Prestige	36
Professional Tensio / Classic Tensio	12	FramePro	37
Inceel Tensio / Classic Tensio	13	Cinema	42
InSuperior FTS	14	Cinema Curved	43
OnSuperior FTS	15		
Multiformat Classic Tensio	16	Special Solutions	
Biformat Classic Tensio	17	Lift Screen	45
Alumid Tensio	18	Easy Surface	46
Max One Tensio	19	Eyelet Surface	47
Basic Tensio / Classic Tensio	20	Round	48
Motorized Non-Tensioned Screens & Manual Screens		Technical Data	50
Elegance Motorized / Winch	22	Installation System	88
Professional Motorized / Winch	23	Accessories	90
Inceel	24		
Multiformat	25		
Biformat	26		
Alumid	27		
Max One	28		
Linear SE	29		
Basic	30		



The Adeo Screen Quality System is based on a programme specifically developed to manage the entire production process.

Step by step: starting from the choice of its raw materials, every single screen - whether standard or personalized - is "accompanied" through each working phase. Owing to this type of organization, the activities of each sector of the production line are constantly monitored, enabling the most suitable and efficient intervention if the need arises. Automation ensures precision and punctuality, from the models' CAD/CAM designing to the plotter-cutting of the surface. But the human element also plays an important role: the work of each sector is in fact carefully supervised by a specialized technician. Finally, the roller screens must overcome one last obstacle: once they are assembled, they are individually mounted on a test platform, for definitive adjustments and quality testing. The finished products can now be marketed with a guarantee seal. Even packaging has been customized to suit the characteristics of each model and to protect its quality.

A hurdle race where only the best cross the finish line and can boast the Adeo Screen mark.



CE Declaration of conformity

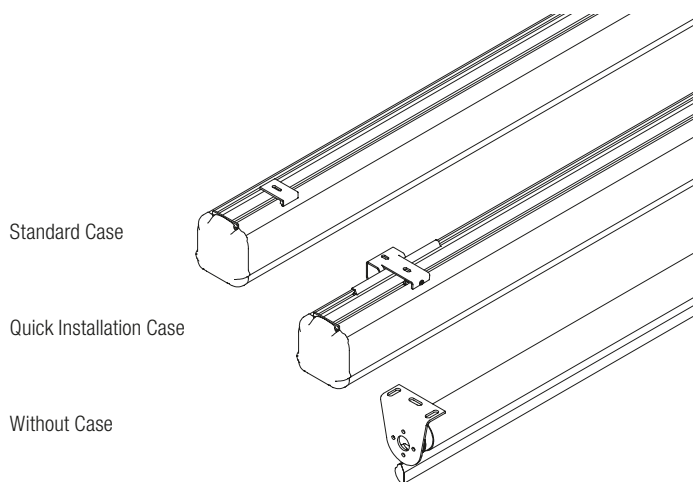


PSS Personal Screen System

Personal Screen System is one of the distinctive features offered by Adeo Screen. The system proposes screens which can be constructed to suit the customer's specific requirements, allowing the greatest possible personalization of the product. Each of the various models of the range presents a basic profile: through the PSS the characteristics of the models can be modified and customized, since each of them is available in several variants: from the base model it is therefore possible to obtain up to 1728 combinations.

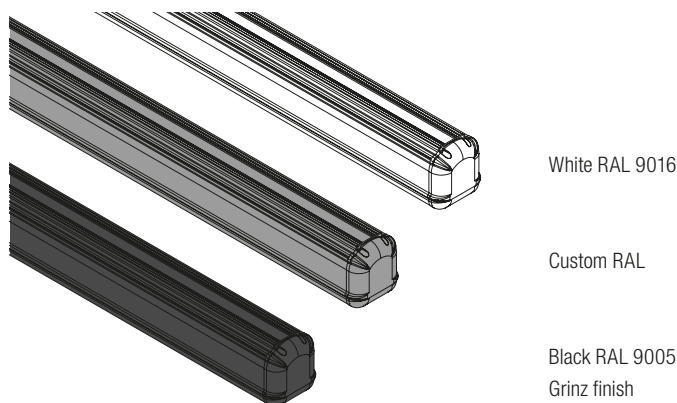
Case

The case is the structure that protects the surface from gathering dust once it has been rolled up. Screens can be produced with or without a case. The former can be installed with the standard procedure (which favours the aesthetic aspect and a harmonious visual impact by significantly reducing the visibility of the wall-mount bracket), or with a time-saving procedure (this consists of quick and easy operations, and is ideal for professional applications). The range of models without a case, named Basic, responds to special installation requirements (such as the presence of recesses, beams or space limitations).



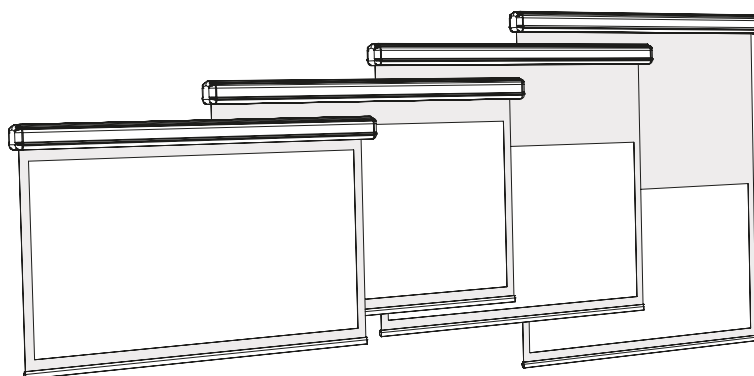
Color of the case

Based on models, cases are available in glossy powder-varnished white RAL 9016, matt powder-varnished black RAL 9005 grinz or in customized RAL. The varnishes used are free of toxic substances, in compliance with the latest applicable norms on environmental protection.



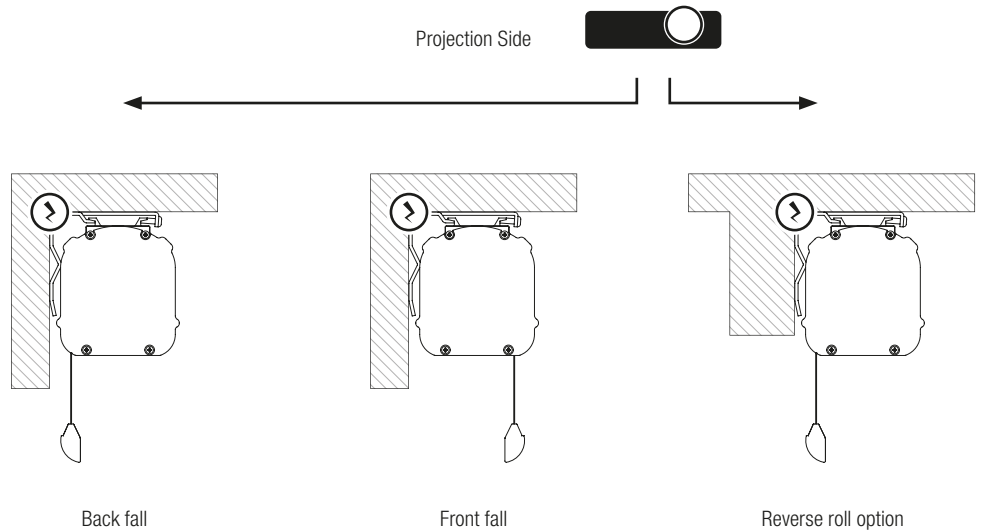
Height of the drop

Adeo has foreseen the possibility of providing projection surfaces with dark edges and tensioned screens with an optional top, which can be standard (for the sizes and options available for each format see the model's reference table) or personalized. In the personalized version, height can vary from 5 to 140 cm (in multiples of 5 cm), based on type of screen, clear opening ratio and the size limits of each model. The top is applied in ceiling-mount installations in order to place the clear opening height in the desired point, positioning the surface in an optimal manner with respect to the projector.



Surface fall

The projection surface can be unrolled from the front (in particular in the presence of obstacles on the wall) or from the back. The choice of either option will result respectively in a greater or smaller distance between the surface and the wall. It's also available the Reverse Roll option.



Type of roller

There are three types of screen roller mechanisms: motorized, motorized with radio-integrated receiver, and manual with winch. The first type is based on a tubular motor activated by a standard wall-mounted up/down dead man selector switch. The second is characterized by a motor with integrated receiver unit and remote control. The third is specific for screens with manual rolling, and requires the use of a winch pole.

Motor/command side

The motor/command can be positioned on the right- or left-hand side of the case. In motorized screens this option is useful for bringing the wiring closer to the existing electrical system. In models with a manual winch roller it is possible to hook the winch pole on the side that is most convenient for unrolling and rolling the surface.

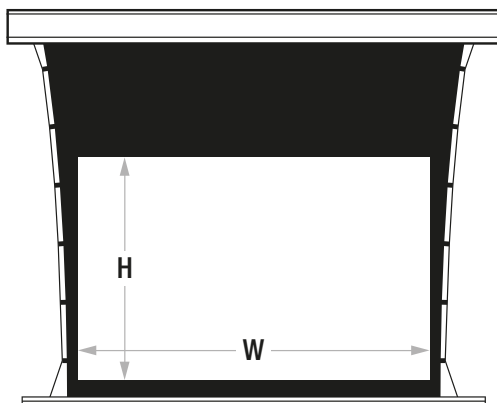
Personalized dimensions

To design a video system correctly, it is necessary to identify the optimal screen size for every single application. Specific conditions of the projection environment may require the building of a model with dimensions (width and height) customized to the millimeter. With Adeo this option is possible, subject to the respect of geometrical parameters and the need to retain the quality of the final projection.

Three variables must be considered to obtain the best results: the distance between the screen and the furthest spectator (D), the type of application (presentation from PC, graphics, home theatre, etc.), and the aspect ratio. To make the size of the screen independent from the chosen aspect ratio, the screen's height (H) is considered. Unlike the screen's width (W), its height remains the same regardless of the aspect ratio chosen.

Depending on the various use contexts, the height (H) is calculated by means of the following formulas:

- > Presentations from PC: $H=D/6$
- > Graphics/tables/drawings: $H=D/4$
- > Home Theatre with HD resolution or upconverted SD resolution: $H=D/3.3$
- > Home Theatre with Full HD resolution: $H=D/2.5$



In order to obtain the respective width (W) of the screen you just multiply the resulting height (H) by the chosen aspect ratio (1.33, 1.78, 1.85, 2.35 etc.).

N.B: in Home Theatre applications, the D stands for the distance between the screen and the main spectator (sweet spot).



ReferenceWhite

White surface for front projection

Part of the new Reference series, this screen material is designed for the most critical applications that require exceptional color accuracy both in Home Theater as well as commercial and professional studio applications. It is completely absent from hot-spot effects and its critical color accuracy is maintained at all viewing angles. Recommended for controlled light environments.



ReferenceGrey

Grey surface for front projection

This Reference screen material is designed to lower the black levels of the fixed-matrix LCD, DLP and D-ILA/SXRD video-projectors, while maintaining its critical color accuracy at all viewing angles. It is particularly well suited for the rooms with bright walls and some ambient light.



HeliosWhite

White surface for front projection

High-gain screen material designed to be used in the presence of ambient-light conditions. It is constructed with different layers of screen materials, each with its own specific function. This screen material is particularly well suited for Active 3D and Passive Spectral 3D applications, providing adequate gain to compensate for the typical light losses involved with 3D video-projection.



HeliosGrey

Grey surface for front projection

This multi-layer screen surface is designed to enhance the black level and contrast ratio of fixed matrix video-projectors while providing excellent ambient light resistance. This allows it to be used in applications where complete ambient light control is not possible but a high-contrast image is desired.



VisionWhite

White surface for front projection

VisionWhite represents the top in terms of projection surface quality, guaranteeing perfect planarity, for optimal image reproduction even on very large screens, and excellent light diffusion, by effect of the special embossing of the projection surface. The wide viewing angle, high luminosity, absence of hot-spot effects and exceptional uniformity of colour have made it the benchmark surface of the Adeo range. Owing to its versatility it can be used in different contexts, from professional applications (also in the presence of ambient light) to high definition home theatre systems (recommended for environments with dimmed light).



VisionWhitePro

White surface with black back for front projection

The Adeo range also includes a laminated surface, especially designed for critical situations where the screen is positioned in front of a source of light.

By blocking out the light, the black back guarantees unimpaired projection. This projection material is particularly suitable for small and medium-sized screens. Note that in any case the surface should not be used to shield the sunlight. This would result in a damage and a consequent loss of planarity.



VisionAcoustik

White surface for front projection

The diam. 0.5 mm micro-holes punched all over the surface render this projection material “acoustically transparent”, so that the sound source can be positioned behind the screen without compromising the audio standard. Devised especially for high definition home theatre applications, VisionAcoustik reduces the loss of luminosity typical of traditional perforated surfaces owing to the use of micro-holes, whose significantly smaller diameter guarantees the absence of hot-spot effects at the centre of the screen.



Vision MacroAcoustik

White surface for front projection

Like VisionAcoustik, this surface is also perforated with micro-holes (diam. 1.3 mm) which render it “acoustically transparent”, so that the sound source can be positioned behind the screen: a perfect localisation of the projected image and of the sound source is thus obtained. Its application, however, is different: MacroAcoustik has been devised especially for large-size screens, and again for avoiding the hot-spot effect.



VisionRear DB

Surface for front and rear projection

This innovative screen material is designed to be used in both front and rear projection application. It can be used also in applications that requires to continuously switch between front and rear projection by electronically inverting image on vertical axis. It offers extremely wide viewing angle with flat spectral response and no colour shift throughout the whole recommended viewing angle. Designed for 4K Ultra HD applications, it is perfectly suited for use with today's high-brightness high-performance video projectors.



VisionRear

Grey surface for rear projection

Excellent image projection results and a wide viewing angle with the projector positioned behind the screen. VisionRear is the best solution for achieving an optimal saving without compromising the diffusion of light, while avoiding the hot-spot effect in the centre of the screen.



VisionFold

White scratch-resistant surface for front projection

In service and rental contexts, screens are subjected to frequent assembling and dismantling operations, and the surface often remains folded for long periods and in all sorts of climate conditions. These circumstances can damage normal projection materials, impressing marks in the place of the folds. To avoid the “impression effect” Adeo offers VisionFold, the projection material characterised by greater elasticity.



VisionFoldRear

Grey surface for rear projection

A proposal for the service and rental channel, specific for rear projection. Owing to its outstanding elasticity, this surface resists wear-and-tear and weathering, and withstands the repeated assembling and dismantling operations typical of the applications it is intended for.

Video projection screens are not designed to be installed in front of windows, near strong sources of light, or at direct sunlight, near heat sources as heating stoves, fireplaces, flues or air conditioning systems for both warm and cold air.

That little something extra

Adeo products distinguish themselves from all the others, owing to a series of special features adopted during the project development and realization phases.

Certain characteristics regard specific aspects of the structure or operation of the screen, such as its projection surface, tensioning, lower bar, roller and motorization; while others are associated with the production itself, such as the automated management of designs and the environmental conditions of the production facilities.

That little something extra that makes all the difference, and endows each model with unique style and superior potential.

Projection surfaces

All the screens that bear the Adeo trademark feature an embossed surface, specifically designed to improve the projection's definition. The result of an extensive research and development process, this characteristic guarantees improved performances, achieving the new Ultra HDTV definition standard, with a resolution 16 times higher than the current Full HD.

The edges of the projection surface, where present, are applied with high frequency welding instead of varnishing. This results in greater precision and clear definition between the edge and the surface, and avoids any risk of the colour coming unstuck, being excessively glossy, and other flaws which are typical of varnishing. The welding, carried out on the four sides, is also smoothed on the rear side to prevent any risk of the surface being marked. Particularly resistant through time, the matt black colour of the edges reduces annoying reflected light.

In order to prevent the formation of bothersome folds and warping, the surface is secured to the base by means of two springs placed at its ends.



The projection surface is in fact subjected to constant, albeit imperceptible, expansion and shrinking: the springs neutralize this phenomenon by dampening these movements.

All Adeo screens are equipped with a roller with a double groove, instead of a single groove. This particular structure ensures the constant planarity of the projection surface by avoiding the risk that, in the long run, the surface should be marked by annoying horizontal lines impressed by the shape of the roller. In addition, when the surface is applied to the roller, a further process is carried out to avoid any gaps.

Tensioning

Adeo roller screens can be supplied with two different types of tensioning.

The classic tensioning system is based on two elastic cables which depart from the base and are threaded through eyelets placed along the sides of the screen: the lateral arches thus formed contribute to ensure a "crease-proof" rolling, despite the presence of the eyelets. For each Adeo screen a calculation is carried out based on the dimensions of the roller's diameter and on the length of the projection surface: hence, from the parametric design the correct distance of the eyelets is automatically calculated so as to ensure that the eyelets do not overlap and to guarantee a smooth, fold-free rolling.

The result is perfect planarity and a harmonious visual impact, ensured by the lateral curve of the surface and by the even spacing between the eyelets. Alternatively, Adeo has developed the exclusive CTS (Constant Tensio



System): two counterweights hooked onto hinges attached to the ends of the base stretch rigid cables threaded through eyelets placed along the sides of the screen.

This results in constant self-tensioning through time and neutralizes the risk of folds forming during the screen's rolling, since in this phase the eyelets remain outside the projection surface. This system focuses on the technical aspect: the lateral tensioning produced by the counterweights is totally independent from the vertical tensioning produced by the base. The eyelets of Adeo's Tensio screens are glued to the edge, instead of welded, to avoid the welding being visible from the front.

Tensioning of screens with rigid frames is obtained through the insertion of iron rods into the four sides of the projection surface, which are then anchored to various points of the frame by means of elastic cables.

Lower Bar

The screens of the Elegance, Professional, Inceel, InSuperior FTS, OnSuperior FTS, Multiformat and Biformat lines are provided with a special lower bar: once the screen is rolled up the case is seamlessly closed and protects the surface from gathering dust when not in use.

Not just beautiful, but very practical.



Winding system

The need to reduce the size of the components as much as possible has resulted in the development of a specific structure (for certain models only) in which a smaller-scale diameter teams up with similarly reduced deformation of the canvas and of the roller itself. Depending on the model, 60 to 150 mm diameter rollers are available, in proportion with the size of the canvas to be rolled.

Motorization

The vibrations of the motor are one of the aspects that influence the quality of the product. To avoid this problem, a sheet of rubber has been inserted between the motor and the sides of the case: this prevents the diffusion of vibrations and noise from the motor to the entire case. A "vibration-proof solution".

For the same purpose, a study has been carried out to establish the correct flexible coefficient of the rubber of the adapters placed at the ends of the tubular motor inside the roller, so as to obtain a material which is sufficiently elastic, yet not subject to expansion which could result in sliding of the motor.



Automated design management

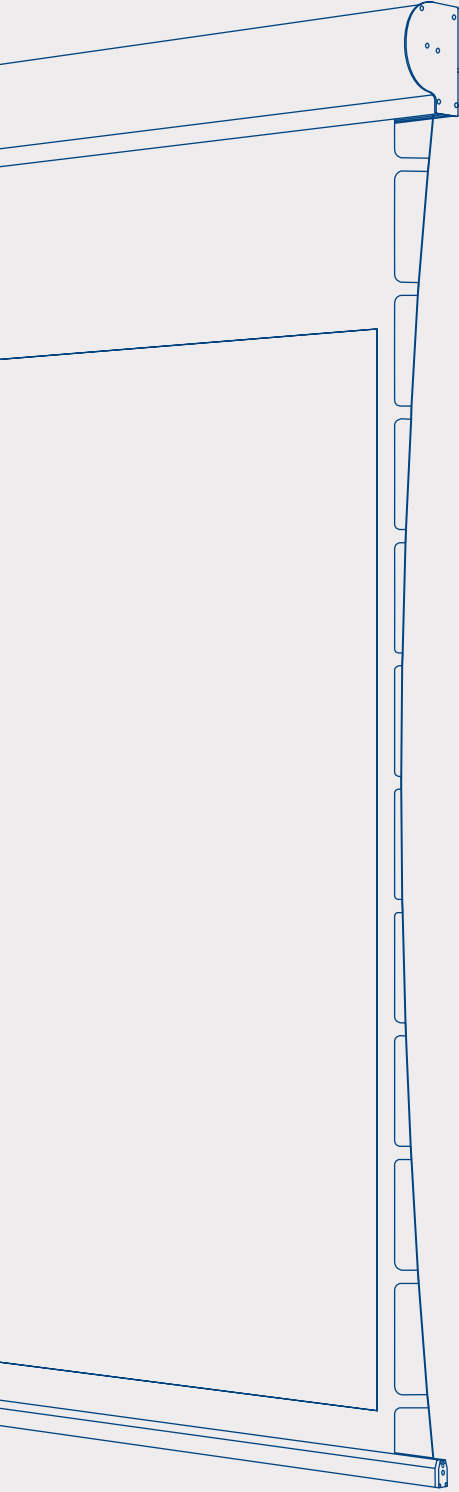
The creation of an Adeo screen involves the automated design management of each model.

The process starts from the job order and the specifications it contains: the data are then processed by CAD software and forwarded to the system's plotter.

The machine cuts the surface based on the input received. This method is characterized by the greatest flexibility: it enables the production of any type of customized screens and is particularly effective when it comes to the tensioned models.

Environmental conditions of the production facilities

Production takes place in a dedicated and carefully monitored environment. Since treatment of the projection surface requires specific conditions, the ambient temperature is constantly controlled in Summer and Winter to ensure optimal results.



MOTORIZED TENSIONED SCREENS

The unique style of the Elegance screen comes with two types of tensioning. The CTS (Constant Tensio System) is equipped with two counterweights, hooked onto hinges placed at the ends of the screen base: these tension rigid cables threaded through the lateral eyelets, guaranteeing constant self-tensioning and a smooth, crease-free rolling, owing to the fact that the eyelets are positioned outside the screen's surface. The ideal solution for those who put technical performance first. But since aesthetics are important, there is also the classic system, in which the cables are elastic. Threaded through the eyelets, they create a lateral curve of the surface, which is useful to prevent the formation of creases, despite the presence of the eyelet. In both cases the additional elements maintain the harmonious lines of the lateral sides and of the abutting base. Providing customized aesthetics and optimal planarity in one product.

Available with 50 or 70 mm lateral black borders.

See page **50**
for Technical data



Elegance Tensio CTS ▲



Elegance Tensio Classic ▲

CTS Tensioning system detail ▼



Elegance lateral end detail ▲

Create your own screen with the PSS

- > **Personalized dimensions:** width and height
- > **Roller type:** motorized or radio integrated
- > **Case:** with standard or quick-installation case
- > **Case color:** available in white, black or custom color
- > **Height of Top:** from 5 to 45 cm
- > **Projection surface fall:** front or rear with optional reverse-roll installation
- > **Side of command/motor:** right or left

Projection Surfaces (see page 6)

- > ReferenceWhite / ReferenceGrey
- > VisionWhite / VisionWhitePro
- > VisionAcoustik
- > VisionRear DB and VisionRear, only without black borders

Surfaces Fireproof Certifications



Standard Accessories

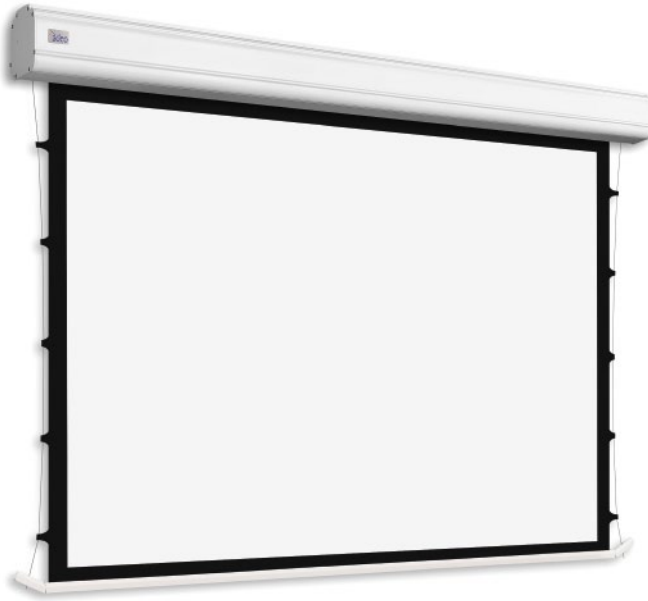
- > Kit with wall or ceiling mount brackets
- > Unipolar selector switch
- > Remote control (only for radio-integrated version)

Optional Accessories

- > Extension brackets for screens up to 60 cm
- > Receiver and RF remote control for motorized screen (3 modalities: basic, automatic and compatible with domotic systems)
- > Receiver and infrared remote control

PSS Formats

1:1	1.33:1	1.60:1	1.78:1	2.35:1	2.37:1	2.40:1
	4:3	16:10	16:9	21:9		



▲ Professional Tensio CTS

For a perfectly smooth surface: Adeo proposes the application of the CTS (Constant Tensio System) and of the classic tensioning method also to Professional, the screen with the characteristically flat ends devised for the Audio Visual sector. The first solution is based on two counterweights, hooked onto hinges attached to the ends of the base, which stretch rigid cables threaded through eyelets positioned along the sides of the canvas. Thus self-tensioning is ensured through time, and rolling is facilitated by the fact that the eyelets remain outside the projection surface. In this system technical requirements are first. The second solution has been designed to satisfy even the most demanding aesthetic needs. The lateral curving of the canvas, produced by the elastic cables threaded through the eyelets, not only ensures crease-free screen rolling but also has winning looks.

Available with 50 or 70 mm lateral black borders.

See page 53 for Technical data



Professional lateral end detail ▲



Professional Tensio Classic ▲

Create your own screen with the PSS

- > **Personalized dimensions:** width and height
- > **Roller type:** motorized or radio integrated
- > **Case:** with standard or quick-installation case
- > **Case color:** available in white, black or custom color
- > **Height of Top:** from 5 to 45 cm
- > **Projection surface fall:** front or rear with optional reverse-roll installation
- > **Side of command/motor:** right or left

Projection Surfaces (see page 6)

- > ReferenceWhite / ReferenceGrey
- > VisionWhite / VisionWhitePro
- > VisionAcoustik
- > VisionRear DB and VisionRear, only without black borders

Surfaces Fireproof Certifications



Standard Accessories

- > Kit with wall or ceiling mount brackets
- > Unipolar selector switch
- > Remote control (only for radio-integrated version)

PSS Formats

1:1	1.33:1	1.60:1	1.78:1	2.35:1	2.37:1	2.40:1
	4:3	16:10	16:9	21:9		

Optional Accessories

- > Extension brackets for screens up to 60 cm
- > Receiver and RF remote control for motorized screen (3 modalities: basic, automatic and compatible with domotic systems)
- > Receiver and infrared remote control

A screen that has been dubbed “Made for Installation” due to its innovative assembly system. In addition, this model disappears into a false ceiling by means of a retractable mechanism, and is endowed with the classic tensioning method, which ensures a perfect planarity of the surface while safeguarding a harmonious aesthetic impact. Two elastic cables depart from the ends of the base and are threaded through eyelets along the sides of the canvas, creating a lateral arch which avoids the risk of any creases forming during the rolling phase, despite the presence of the eyelets.

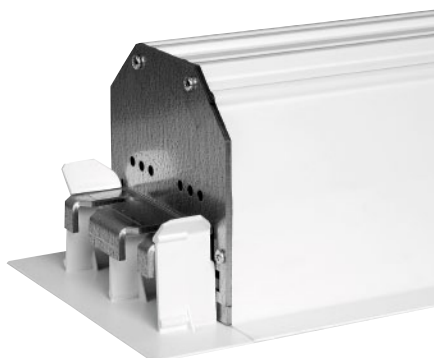
While maintaining the characteristic Inceel design, this solution further enhances an invaluable tool for your work and leisure time without posing any space limitations.

Available with 50 or 70 mm lateral black borders.

See page **56**
for Technical data



Inceel Tensio Classic ▲



End plate detail ▲

Create your own screen with the PSS

- > **Personalized dimensions:** width and height
- > **Roller type:** motorized or radio integrated
- > **Case:** available only with case
- > **Case color:** available in white or custom color
- > **Height of Top:** from 5 to 45 cm
- > **Projection surface fall:** front or rear with optional reverse-roll installation
- > **Side of command/motor:** right only

Projection Surfaces (see page 6)

- > ReferenceWhite / ReferenceGrey
- > VisionWhite / VisionWhitePro
- > VisionAcoustik
- > VisionRear DB and VisionRear, only without black borders

Surfaces Fireproof Certifications



Standard Accessories

- > Kit containing eight 50 cm threaded bars for installation with maximum height of 1 m
- > Unipolar selector switch
- > Remote control (only for radio-integrated version)
- > End plates for closing the plasterboard

PSS Formats

1:1	1.33:1	1.60:1	1.78:1	2.35:1	2.37:1	2.40:1
	4:3	16:10	16:9	21:9		

Optional Accessories

- > Extension brackets for screens up to 60 cm
- > Receiver and RF remote control for motorized screen (3 modalities: basic, automatic and compatible with domotic systems)
- > Receiver and infrared remote control



Adeo Screen's innovative in-ceiling model InSuperior FTS, with newly designed casing that can be integrated into a ceiling or false ceiling, features the new tensioning system with double lower bar and patented FTS™ Floating Tensio System. A weight-efficient structure that eliminates deformation of the roller assembly structure allows to use more rigid fabrics and in larger sizes, offering the option of longer custom drop combinations. This screen solution also allows a more convenient and quick installation thanks to the improved new installation brackets and the new lateral cover with magnets system. In addition the casing is provided with new safety cables.

See page **60** for Technical data



Case and installation system detail ▲

FTS™ Floating Tensio System

Tensioning system consisting of a double lower bar and tensioning cables. Lower bar consist of two weights, one of which is responsible for the vertical force of the material and the other associated with the tensioning cable system is responsible for the flatness of the material horizontally.



InSuperior end plates ▲

Create your own screen with the PSS

- > **Personalized dimensions:** width and height
- > **Roller type:** motorized or radio integrated
- > **Case:** available only with case
- > **Case color:** available in white or custom color
- > **Height of Top:** from 5 to 140 cm
- > **Projection surface fall:** front or rear with optional reverse-roll installation
- > **Side of command/motor:** right only

Projection Surfaces (see page 6)

- > ReferenceWhite / ReferenceGrey
- > HeliosWhite / HelioGrey
- > VisionWhite / VisionWhitePro
- > VisionAcoustik
- > VisionRear DB and VisionRear, only without black borders

Surfaces Fireproof Certifications



Standard Accessories

- > Kit containing eight 50 cm threaded bars for installation with maximum height of 1 m
- > Unipolar selector switch
- > Remote control (only for radio-integrated version)
- > End plates for closing the plasterboard

PSS Formats

1.33:1	1.60:1	1.78:1	2.35:1	2.37:1	2.40:1
4:3	16:10	16:9	21:9		

Optional Accessories

- > Extension brackets for screens up to 60 cm
- > Receiver and RF remote control for motorized screen (3 modalities: basic, automatic and compatible with domotic systems)
- > Receiver and RF remote control

OnSuperior Tensio FTS is the screen born to meet the needs to install screens on very high walls or ceilings and to enable the projection light to be lowered to suit the spectator correctly. The newly designed casing is suitable for on-wall or on-ceiling installation, features the new tensioning system with double lower bar and patented FTS™ Floating Tensio System. OnSuperior is available with a viewing area base up to 4500 mm and can also be supplied in a tensioned version without black borders.

See page **61**
for Technical data



FTS™ Floating Tensio System

Tensioning system consisting of a double lower bar and tensioning cables. Lower bar consist of two weights, one of which is responsible for the vertical force of the material and the other associated with the tensioning cable system is responsible for the flatness of the material horizontally.

Create your own screen with the PSS

- > **Personalized dimensions:** width and height
- > **Roller type:** motorized standard or radio integrated
- > **Case:** available only with case
- > **Case color:** available in white, black or custom color
- > **Height of Top:** from 5 to 140 cm
- > **Projection surface fall:** back fall only – reverse roll available
- > **Side of command/motor:** right or left

Projection Surfaces (see page 6)

- > ReferenceWhite / ReferenceGrey
- > HeliosWhite / HeliosGrey
- > VisionWhite / VisionWhitePro
- > VisionAcoustik
- > VisionRear DB and VisionRear, only without black borders

Surfaces Fireproof Certifications



Standard Accessories

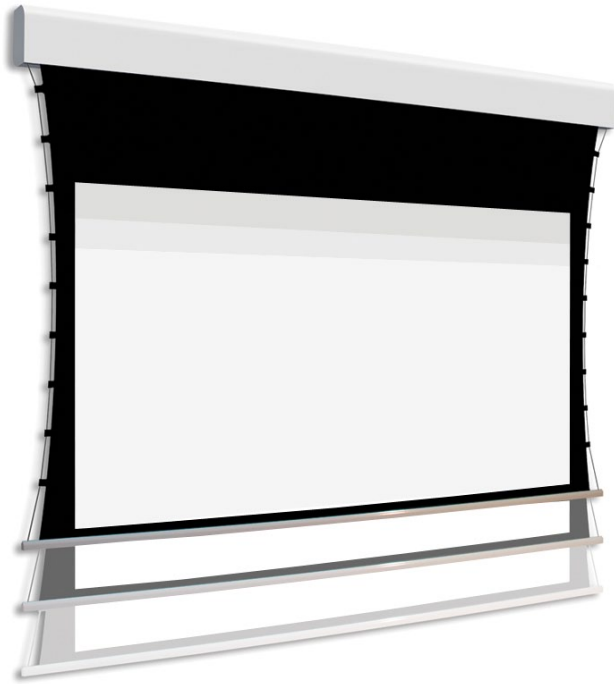
- > Kit with wall or ceiling mount brackets
- > Unipolar selector switch
- > Remote control (only for radio-integrated version)

Optional Accessories

- > Receiver and RF remote control for motorized screen
- > Receiver and infrared remote control
- > Extension brackets for screens up to 60 cm

PSS Formats

1.33:1	1.60:1	1.78:1	2.35:1	2.37:1	2.40:1
4:3	16:10	16:9	21:9		



A wide choice of formats, also in the tensioned version, with the Multiformat screen: surpassing the highest expectations of home cinema lovers.

Starting from two independent projection surfaces (a top masking surface and a rear projection surface), attached to two rollers: by synchronising these you can vary the format of the projection area, and obtain an image which is always edged in black, enhancing contrast. These are special, non-varnished anti-reflective black edges, with a width of 7 cm (while traditional edges are 3 or 5 cm wide).

The top surface is directly in contact with the rear surface, thanks to the vertical alignment of the rollers: this avoids the formation of shadows during projection. Planarity is ensured by the front drop of the surface, while the special anchoring to the roller eliminates any risks of horizontal crease marks. A perfect surface is possible at all times, thanks to a dedicated command that unrolls the surface completely, to facilitate cleaning operations. The winding is through ILT2 Somfy motors with electronic limit switches to control encoders, synchronization and storage are managed by the control unit ILT4 (RS232/485) and infrared remote control. The case is white (RAL 9016), with brushed aluminium lateral ends, which completely mask the screws. The anchoring system is simple and super-quick, for easy installation procedures.

See page **62** for Technical data

There is a very ample variety of formats to choose from.

For projectors with a 4:3 aspect ratio the following formats are available:

- > 1.33 NTSC PAL 4:3
- > 1.60 16:10
- > 1.78 HDTV 16:9
- > 1.85 Wide
- > 2.35 Cinemascope 21:9

For projectors with a 16:9 aspect ratio the following formats are available:

- > 1.78 HDTV 16:9
- > 1.85 Wide
- > 2.35 Cinemascope 21:9

Two more formats, with height lower than that of the starting format, can be added according to choice.

Numerous solutions, but only one tensioning system: a classic. Two elastic cables depart from the base and are threaded through dedicated same-size eyelets, placed along the sides of the screen: the arch that forms laterally ensures a harmonious aesthetic impact and a crease-free rolling, despite the presence of the eyelets.



Brushed Aluminium Ends ▲

Create your own screen with the PSS

- > **Personalized dimensions:** width
- > **Formats:** 8 different configurations
- > **Roller type:** only radio integrated
- > **Case:** available only with case
- > **Case color:** available only in white with brushed aluminium lateral ends
- > **Height of Top:** from 10 to 40 cm
- > **Projection surface fall:** front only
- > **Side of command/motor:** right only

Projection Surfaces (see page 6)

- > ReferenceWhite / ReferenceGrey
- > VisionWhite / VisionWhitePro
- > VisionAcoustik

Surfaces Fireproof Certifications



Standard Accessories

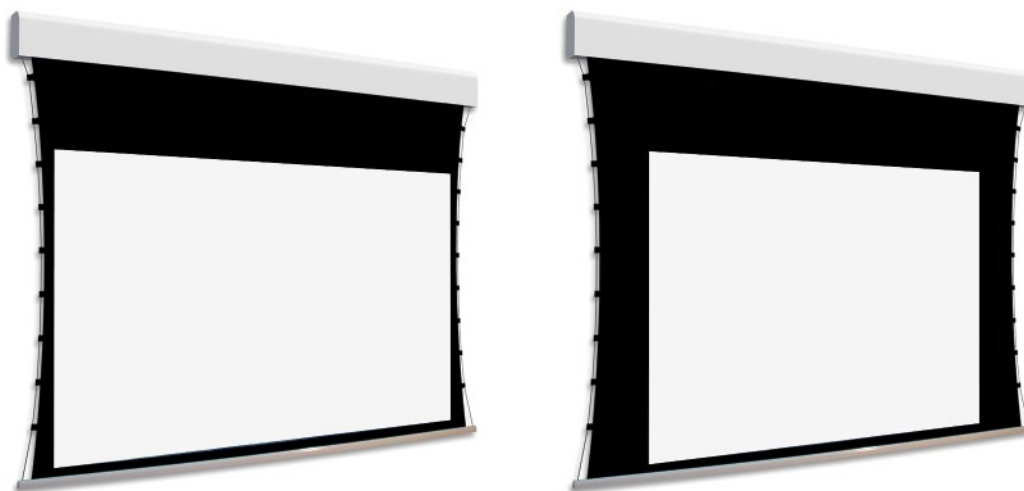
- > Kit with wall or ceiling mount brackets
- > Control unit ILT4 Somfy
- > Infrared receiver
- > 8 channel infrared transmitter

Optional Accessories

- > Extension brackets for screens up to 60 cm

PSS Formats

1.33:1	1.60:1	1.78:1	1.85:1	2.35:1	2.40:1
4:3	16:10	16:9		21:9	



Biformat Tensio is a screen designed to meet even the highest expectations in the home cinema market. This is achieved thanks to a technical profile and a unique tensioning system. Inside the same case are two distinct projection surfaces of different formats, bordered with special non-varnished anti-reflective black edges. These enable to enhance the contrast of the projected image much more effectively than traditional 3 cm edges.

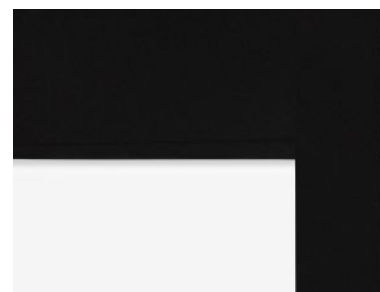
In addition to being positioned in direct contact with each other, to avoid focus loss, the projection surfaces are fixed to the roller, in such a way as to eliminate all risks of annoying horizontal crease marks. Furthermore, the front drop of the surface and the vertical alignment of the rollers ensure planarity. The motorized rolling is controlled through a wall-mounted switch or an integrated radio receiver.

The case is white (RAL 9016), with brushed aluminium lateral ends, which completely mask the screws. Owing to the practical anchoring system, use is immediately possible.

All you need to do is choose among the available formats:

- > 1.33 NTSC PAL 4:3
- > 1.78 HDTV 16:9
- > 2.35 Cinemascope 21:9

All of them boast perfect tensioning, thanks to the classic tensioning system. Two elastic cables depart from the base and are threaded through dedicated same-size eyelets, placed along the sides of the screen: the arch that forms laterally ensures a harmonious aesthetic impact and a crease-free rolling, despite the presence of the eyelets.



See page **64**
for Technical data

Create your own screen with the PSS

- > **Personalized dimensions:** width
- > **Roller type:** standard motorized or radio integrated
- > **Case:** available only with case
- > **Case color:** available only in white with brushed aluminium lateral ends
- > **Height of Top:** from 10 to 40 cm
- > **Projection surface fall:** front only
- > **Side of command/motor:** right only
- > **Special option:** Deco Print

Projection Surfaces (see page 6)

- > ReferenceWhite / ReferenceGrey
- > VisionWhite / VisionWhitePro
- > VisionAcoustik
- > VisionRear DB / VisionRear only without black borders

Surfaces Fireproof Certifications



Standard Accessories

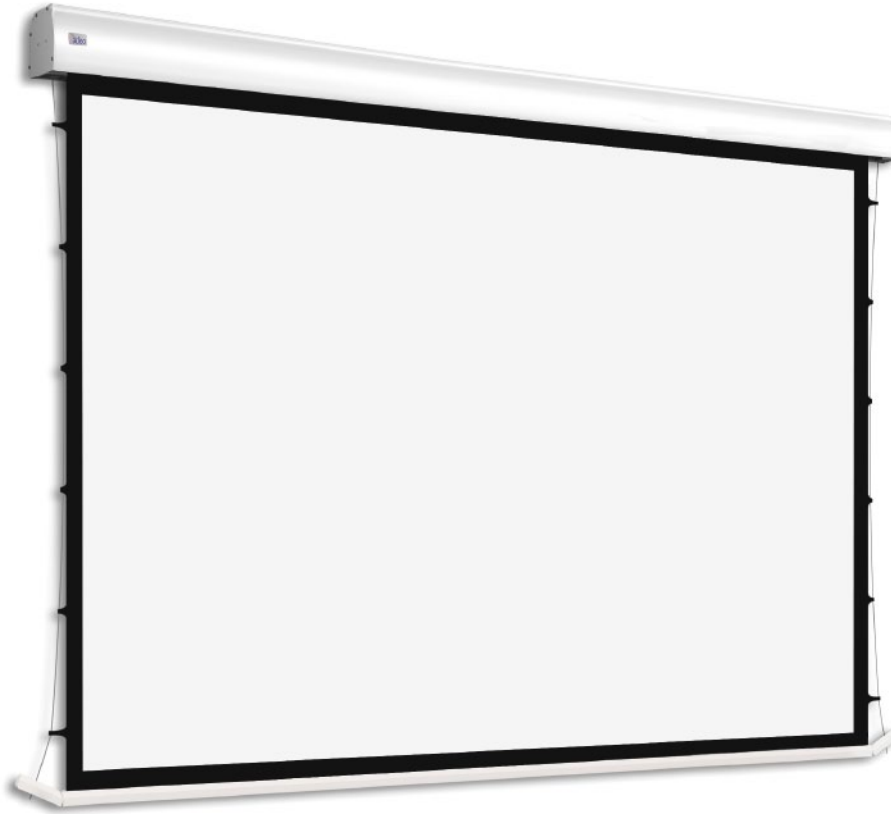
- > Kit with wall or ceiling mount brackets
- > 2 unipolar selector switches
- > Remote control (only for radio-integrated version)

PSS Formats

1.33:1	1.78:1	2.35:1
4:3	16:9	21:9

Optional Accessories

- > Extension brackets for screens up to 60 cm
- > Receiver and RF remote control for motorized screen (3 modalities: basic, automatic and compatible with domotic systems)
- > Receiver and infrared remote control



The research carried out by Adeo on tensioning systems has reached a new record, crossing the threshold of the 3.5 m base with the Alumid screen. Marked by the quality of its in-built roller and solidity of the entire structure, this screen can be used in the Tensio version. The CTS (Constant Tensio System) provides constant self-tensioning through time, obtained through two counterweights hooked onto hinges at the ends of the screen's base, which tension the rigid cables threaded through the lateral eyelets. During screen rolling the eyelets remain outside the edge of the surface, thus avoiding the formation of annoying creases

A must for providing high quality projection even in large-scale environments and in the presence of a vast audience.



See page **68** for Technical data

Create your own screen with the PSS

- > **Personalized dimensions:** width and height
- > **Roller type:** standard motorized and radio integrated
- > **Case:** available only with case
- > **Case color:** available in white, black or custom color
- > **Height of Top:** from 10 to 45 cm
- > **Projection surface fall:** front or rear with optional reverse-roll installation
- > **Side of command/motor:** right or left

Projection Surfaces (see page 6)

- > ReferenceWhite / ReferenceGrey
- > VisionWhite / VisionWhitePro
- > VisionAcoustik / VisionMacroAcoustik
- > VisionRear DB / VisionRear only without black borders

Surfaces Fireproof Certifications



Standard Accessories

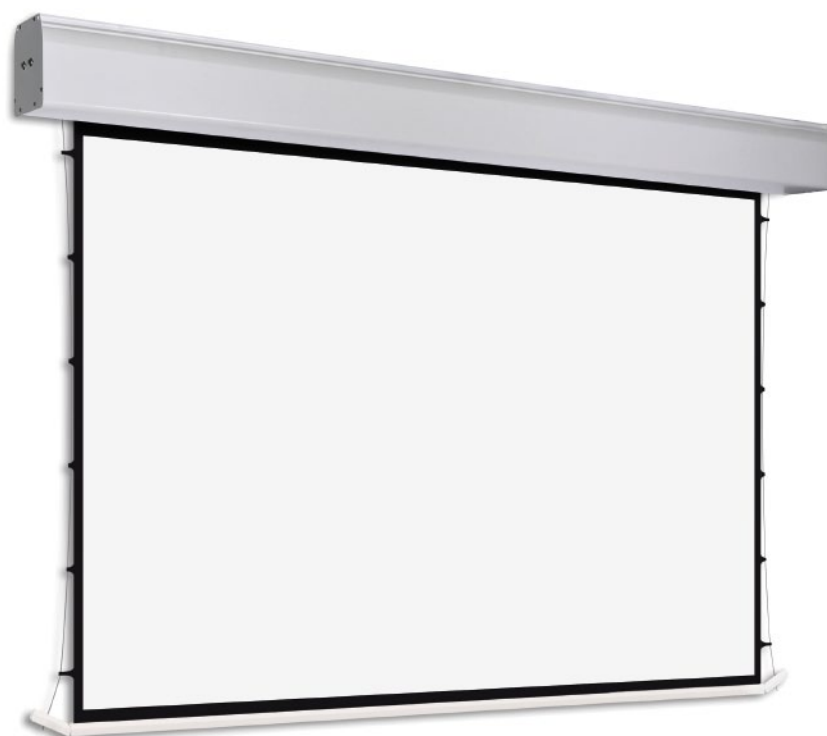
- > Kit with wall or ceiling mount brackets
- > Unipolar selector switch
- > Remote control (only for radio-integrated version)

PSS Formats

1.33:1	1.60:1	1.78:1	2.35:1	2.37:1	2.40:1
4:3	16:10	16:9	21:9		

Optional Accessories

- > Extension brackets for screens up to 60 cm
- > Receiver and RF remote control for motorized screen (3 modalities: basic, automatic and compatible with domotic systems)
- > Receiver and infrared remote control



Max One Tensio CTS, is the new maxi screen from Adeo Screen renewed and perfected, it comes with open casing underneath, also available with optional "casing closure", to close off the housing completely.

Max One Tensio can count on the CTS (Constant Tensio System) which ensures the constant self-tensioning of the screen by means of two counterweights hooked onto hinges placed at the end of the screen lower bar, devised for tensioning rigid cables threaded through lateral eyelets.

Designed for practical installation, thanks to quick and easy assembly system.

The screen is also equipped with a safety roller fall system to avoid in any case the fall of the rolling tube.

Max One Tensio CTS is the ideal solution for excellent large projection, even in the largest places, maximum size available 5.64 m viewing area.



See page **70**
for Technical data

Create your own screen with the PSS

- > **Personalized dimensions:** width and height
- > **Roller type:** standard motorized
- > **Case color:** available in white, black or custom color
- > **Projection surface fall:** front or rear with optional reverse-roll installation
- > **Side of command/motor:** right or left

Projection Surfaces (see page 6)

- > VisionWhite
 - > VisionAcoustik / VisionMacroAcoustik
- Available also without black borders.

Surfaces Fireproof Certifications



Standard Accessories

- > Kit with wall or ceiling mount brackets
- > Unipolar selector switch

PSS Formats

1.33:1	1.60:1	1.78:1	2.35:1	2.37:1	2.39:1	2.40:1
4:3	16:10	16:9	21:9			

Optional Accessories

- > Receiver and RF remote control for motorized screen
- > Receiver and infrared remote control
- > Casing closure option
- > Extension brackets for screens up to 60 cm



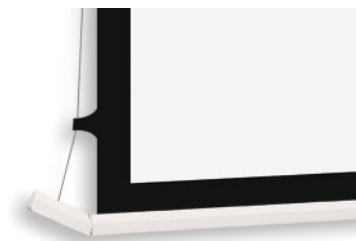
Integrated motorized tensioned screen without casing. This screen has been developed for professional installation, where the casing is not required.

Easy to install with installation brackets into the sides, is a screen that can be placed on wall or on ceiling in almost every spaces.

Basic Tensio can count on the CTS (Constant Tensio System), which ensures the constant self-tensioning of the screen by means of two counterweights hooked onto hinges placed at the end of the screen lower bar, devised for tensioning rigid cables threaded through lateral eyelets.

The screen can be supplied with standard motor or in RI version, with all surfaces available for motorized screen version and in version tensio all white.

See page for Technical data



▲ CTS tensioning system detail



▲ Roller and installation system detail

Create your own screen with the PSS

- > **Personalized dimensions:** width and height
- > **Roller type:** motorized or radio integrated
- > **Case:** available only without case
- > **Projection surface fall:** front or rear with optional reverse-roll installation
- > **Side of command/motor:** right or left

Projection Surfaces (see page 6)

- > ReferenceWhite / ReferenceGrey
- > VisionWhite / VisionWhitePro
- > VisionAcoustik / VisionMacroAcoustik
- > VisionRear DB / VisionRear only without black borders

Standard Accessories

- > 1 Kit of side installation brackets
- > 1 switch with directional arrows, inclusive of wall mount hood
- > 1 plastic hex wrench

Optional Accessories

- > Receiver and RF remote control for motorized screen
- > Receiver and infrared remote control
- > Extension brackets for screens up to 60 cm

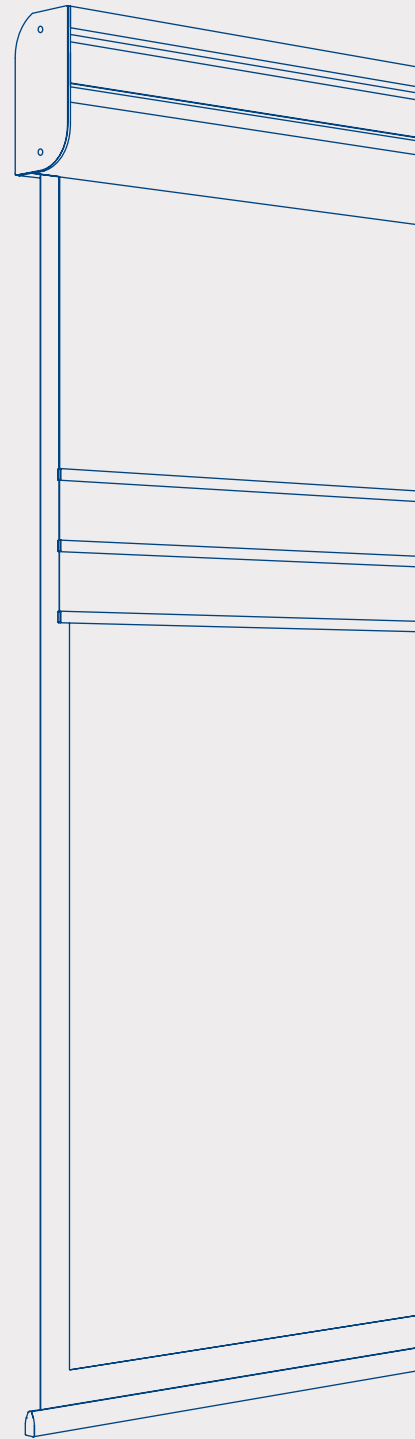
Surfaces Fireproof Certifications

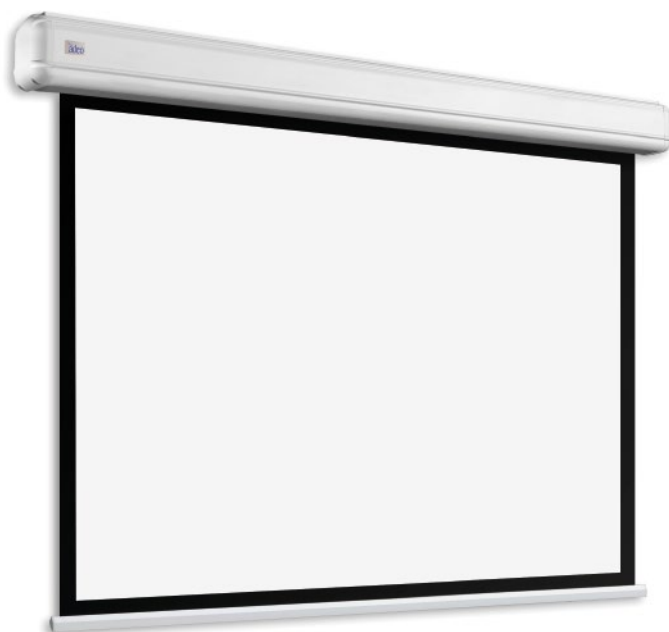


PSS Formats

1:1	1.33:1	1.60:1	1.78:1	2.35:1	2.37:1	2.39:1	2.40:1
	4:3	16:10	16:9	21:9			

**MOTORIZED
NON-TENSIONED
&
MANUAL
SCREENS**



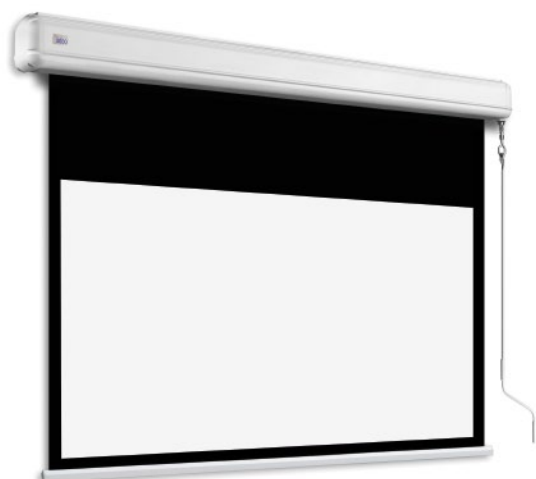


A fitting name for a model with a refined design and rounded lines. The secret lies in the case: its lateral ends made of pressure die-cast aluminium hide the fastening screws from sight and, once the screen is rolled up, the lid-like screen base forms a seamless whole with the case itself.

The product's attention to detail is matched by its versatility: Elegance is the ideal solution for installations which involve specific aesthetic requirements and need personalized adjustments.

Style and easy installation team up to provide a complete product, which is suitable for any environment.

See page **51** for Technical data



Create your own screen with the PSS

- > **Personalized dimensions:** width and height
- > **Roller type:** motorized standard, radio integrated or manual winch
- > **Case:** with standard case or quick-installation system
- > **Case color:** available in white, black or custom color
- > **Height of Top:** from 5 to 45 cm
- > **Projection surface fall:** front or rear with optional reverse-roll installation
- > **Side of command/motor:** right or left

Projection Surfaces (see page 6)

- > ReferenceWhite / ReferenceGrey
- > VisionWhite / VisionWhitePro
- > VisionAcoustik
- > VisionRear DB / VisionRear only without black borders

Surfaces Fireproof Certifications



Standard Accessories

- > Kit with wall or ceiling mount brackets
- > Unipolar selector switch
- > Remote control (only for radio-integrated version)
- > Winch pole for rolling and unrolling the projection surface in manual versions

PSS Formats

1:1	1.33:1	1.60:1	1.78:1	2.35:1	2.37:1	2.39:1	2.40:1
	4:3	16:10	16:9	21:9			

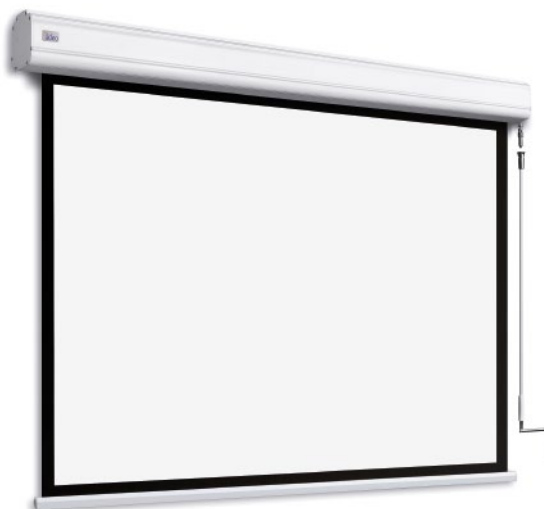
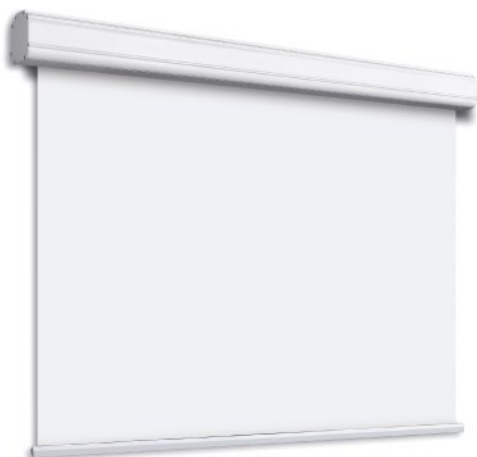
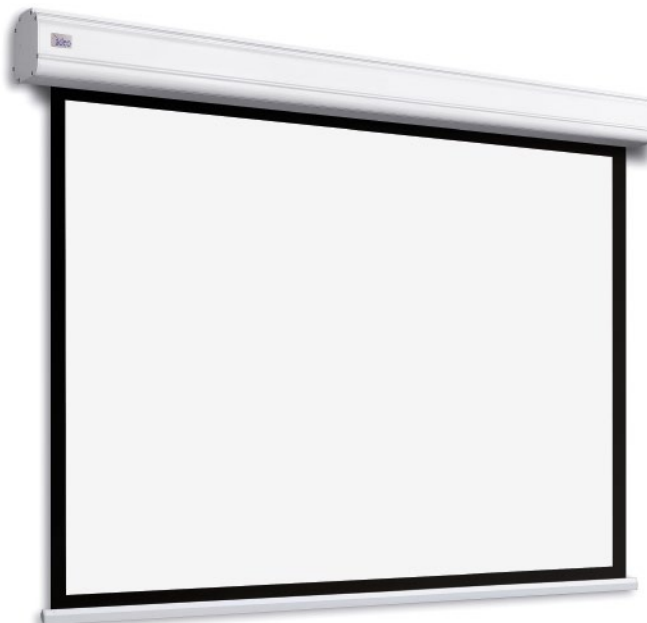
Optional Accessories

- > Extension brackets for screens up to 60 cm
- > Receiver and RF remote control for motorized screen (3 modalities: basic, automatic and compatible with domotic systems)
- > Receiver and infrared remote control

The two completely flat ends are its distinctive feature. Professional is a versatile screen, ideal for flush-mounted installation in different types of technical recesses; the particular shape of its ends allows it to be placed right up against the wall for all-round use. As the name suggests, a design that elects it as the ideal product for the professional Audio Visual channel.

Easy to install, Professional also earns full marks for its aesthetics: the abutting base creates a seamless whole with the screen once it is closed, and prevents any dust from settling onto the projection surface when it is not in use.

See page **54**
for Technical data



Create your own screen with the PSS

- > **Personalized dimensions:** width and height
- > **Roller type:** motorized standard, radio integrated or manual winch
- > **Case:** with standard case or with quick-installation system
- > **Case color:** available in white, black or custom color
- > **Height of Top:** from 5 to 45 cm
- > **Projection surface fall:** front or rear with optional reverse-roll installation
- > **Side of command/motor:** right or left

Projection Surfaces (see page 6)

- > ReferenceWhite / ReferenceGrey
- > VisionWhite / VisionWhitePro
- > VisionAcoustik
- > VisionRear DB / VisionRear only without black borders

Surfaces Fireproof Certifications



Standard Accessories

- > Kit with wall or ceiling mount brackets
- > Unipolar selector switch
- > Remote control (only for radio-integrated version)
- > Winch pole for rolling and unrolling the projection surface in manual versions

PSS Formats

1:1	1.33:1	1.60:1	1.78:1	2.35:1	2.37:1	2.39:1	2.40:1
	4:3	16:10	16:9	21:9			

Optional Accessories

- > Extension brackets for screens up to 60 cm
- > Receiver and RF remote control for motorized screen (3 modalities: basic, automatic and compatible with domotic systems)
- > Receiver and infrared remote control



When aesthetics are a vital necessity in the décor of your home and office spaces, Adeo responds with Inceel, the screen that is visible only when it is in use. Owing to the innovative assembly system the structure is positioned inside a false ceiling and the characteristic threaded bars are height-adjusted by means of a thread lock to suit individual practical requirements. This technique allows a quick and straightforward installation at a reasonable cost, whether carried out autonomously or by third parties.

Practicality meets aesthetics: by applying two plugs on the ends of the case the anchoring system is hidden and the visual impact significantly reduced, thereby favouring an overall harmonization with the surrounding ambient.

Inceel is the ideal solution for enjoying total and uncluttered freedom in one's home or office spaces: the screen is there but it doesn't show.

See page **157** for Technical data



Create your own screen with the PSS

- > **Personalized dimensions:** width and height
- > **Roller type:** motorized or radio integrated
- > **Case:** available only with case
- > **Case color:** available only in white
- > **Height of Top:** from 5 to 45 cm
- > **Projection surface fall:** front or rear with optional reverse-roll installation
- > **Side of command/motor:** right only

Projection Surfaces (see page 6)

- > ReferenceWhite / ReferenceGrey
- > VisionWhite / VisionWhitePro
- > VisionAcoustik
- > VisionRear DB / VisionRear only without black borders

Surfaces Fireproof Certifications



Standard Accessories

- > Kit containing eight 50 cm threaded bars for installation with maximum height of 1 m
- > Unipolar selector switch
- > Remote control (only for radio-integrated version)
- > End plates for closing the plasterboard

PSS Formats

1:1	1.33:1	1.60:1	1.78:1	2.35:1	2.37:1	2.40:1
	4:3	16:10	16:9	21:9		

Optional Accessories

- > Extension brackets for screens up to 60 cm
- > Receiver and RF remote control for motorized screen (3 modalities: basic, automatic and compatible with domotic systems)
- > Receiver and infrared remote control

Multiformat was especially created by Adeo for real connoisseurs of home cinema. This screen is distinguished by the presence of two independent projection surfaces (a top masking surface and a rear projection surface), attached to two rollers: by synchronising them the format of the projection area can be varied, to obtain an image which is always bordered with black edges, enhancing contrast. These are special, non-varnished anti-reflective black edges, with a width of 7 cm (while traditional edges are 3 or 5 cm wide).

It is important to note that the top surface is directly in contact with the rear surface, thanks to the vertical alignment of the rollers: this avoids the formation of shadows during projection. Planarity is ensured by the front drop of the surface, while the special anchoring to the roller eliminates any risks of horizontal crease marks. A perfect surface is possible at all times, thanks to a dedicated command that unrolls the canvas completely, to facilitate cleaning operations. The winding is through ILT2 Somfy motors with electronic limit switches to control encoders, synchronization and storage are managed by the control unit ILT4 (RS232/485) and infrared remote control.

The case is white (RAL 9016), with brushed aluminium lateral ends, which completely mask the screws. The anchoring system is simple and super-quick, for easy installation.



See page **63**
for Technical data



Brushed Aluminium Ends ▲

There is a very ample variety of formats to choose from.

For projectors with a 4:3 aspect ratio the following formats are available:

- > 1.33 NTSC PAL 4:3
- > 1.60 16:10
- > 1.78 HDTV 16:9
- > 1.85 Wide
- > 2.35 Cinemascope 21:9

For projectors with a 16:9 aspect ratio the following formats are available:

- > 1.78 HDTV 16:9
- > 1.85 Wide
- > 2.35 Cinemascope 21:9

Two more formats, with height lower than that of the starting format, can be added according to choice.

Create your own screen with the PSS

- > **Personalized dimensions:** width
- > **Formats:** 8 different configurations
- > **Roller type:** only radio integrated
- > **Case:** available only with case
- > **Case color:** available only in white with brushed aluminium lateral ends
- > **Height of Top:** from 10 to 40 cm
- > **Projection surface fall:** front only
- > **Side of command/motor:** right only

Projection Surfaces (see page 6)

- > ReferenceWhite / ReferenceGrey
- > VisionWhite / VisionWhitePro
- > VisionAcoustik

Surfaces Fireproof Certifications



Standard Accessories

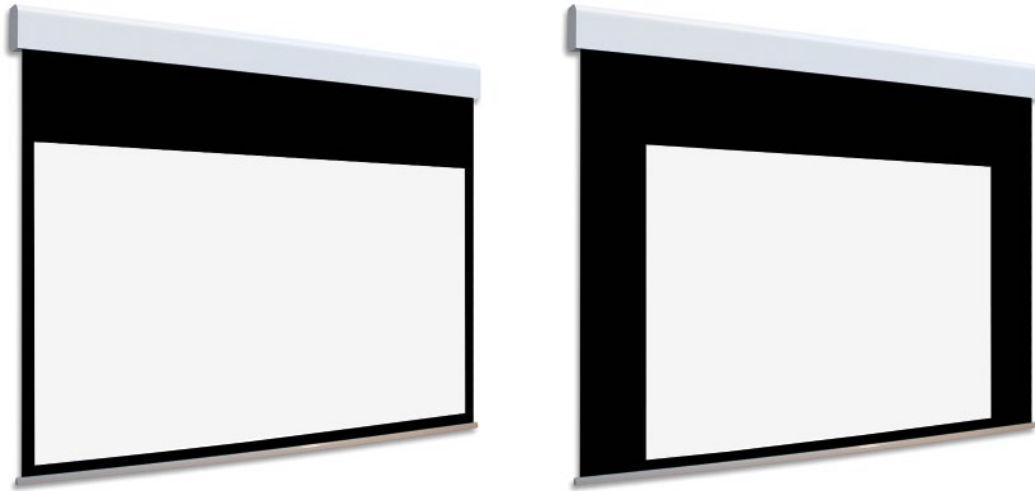
- > Kit with wall or ceiling quick mount brackets
- > Control unit ILT4 Somfy
- > 8 channel infrared transmitter

Optional Accessories

- > Extension brackets for screens up to 60 cm

PSS Formats

1.33:1	1.60:1	1.78:1	1.85:1	2.35:1
4:3	16:10	16:9		21:9



Two screens in one. Biformat is designed to satisfy the most demanding spectators of home cinema. Inside the same case are two distinct projection surfaces of different formats, bordered with special non-varnished anti-reflective black edges. These enable to enhance the contrast of the projected image much more effectively than traditional 3 or 5 cm edges. In addition to being positioned in direct contact with each other, to avoid focus loss, the projection surfaces are fixed to the roller, so as to eliminate the risk of horizontal crease marks. Furthermore, the front drop of the surface and the vertical alignment of the rollers ensure planarity. The motorized rolling is controlled through a wall-mounted switch or an integrated radio receiver. Worthy of note is the white (RAL 9016) case, with brushed aluminium lateral ends, which completely mask the screws. Owing to the practical anchoring system, use is immediately possible.

See page **166** for Technical data



Brushed Aluminium Ends ▲

All you need to do is choose among the numerous formats available:

- > 1.33 NTSC PAL 4:3
- > 1.78 HDTV 16:9
- > 2.35 Cinemascope 21:9

Create your own screen with the PSS

- > **Personalized dimensions:** width
- > **Roller type:** standard motorized or radio integrated
- > **Case:** available only with case
- > **Case color:** available only in white with brushed aluminium lateral ends
- > **Height of Top:** from 10 to 40 cm
- > **Projection surface fall:** front only
- > **Side of command/motor:** right only
- > **Special option:** Deco Print

Projection Surfaces (see page 6)

- > ReferenceWhite / ReferenceGrey
- > VisionWhite / VisionWhitePro
- > VisionAcoustik
- > VisionRear DB / VisionRear only without black borders

Surfaces Fireproof Certifications



Standard Accessories

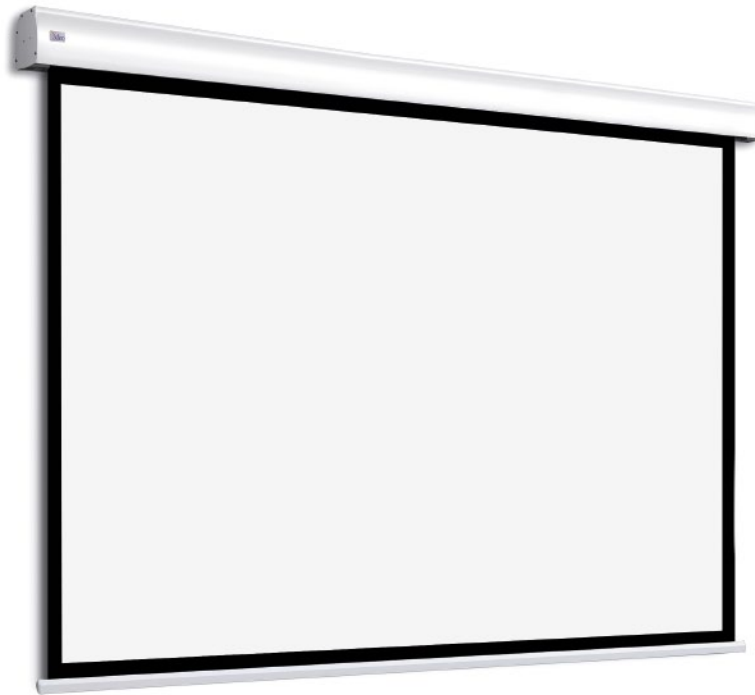
- > Kit with wall or ceiling quick mount brackets
- > 2 unipolar selector switches
- > Remote control (only for radio-integrated version)

PSS Formats

1.33:1	1.78:1	2.35:1
4:3	16:9	21:9

Optional Accessories

- > Extension brackets for screens up to 60 cm
- > Receiver and RF remote control for motorized screen (3 modalities: basic, automatic and compatible with domotic systems)
- > Receiver and infrared remote control



Alumid: large-scale formats for a unique style. Designed for screens with bases sized over 3.5 m, this model is equipped with the trademark built-in 108 mm diameter aluminium roller, contained in a case which is open underneath, for easy rolling of larger-scale screens. The result is an excellent tensioning of the projection surface. This product is also interesting from the installation point of view, which is based on the quick-assembly system, an operation which can be carried out autonomously and with significant time saving.

Sit back and enjoy the results: theatres, congress centres, auditorium spaces, Alumid ensures a striking projection performance even in the most challenging spaces.

See page **69**
for Technical data

Create your own screen with the PSS

- > **Personalized dimensions:** width and height
- > **Roller type:** standard motorized and radio integrated
- > **Case color:** available in white, black or custom color
- > **Height of Top:** from 10 to 40 cm
- > **Projection surface fall:** front or rear with optional reverse-roll installation
- > **Side of command/motor:** right or left

Projection Surfaces (see page 6)

- > ReferenceWhite / ReferenceGrey
- > VisionWhite / VisionWhitePro
- > VisionAcoustik / VisionMacroAcoustik
- > VisionRear DB / VisionRear only without black borders

Surfaces Fireproof Certifications



Standard Accessories

- > Kit with wall or ceiling quick mount brackets
- > Unipolar selector switch
- > Remote control (only for radio-integrated version)

PSS Formats

1:1	1.33:1	1.60:1	1.78:1	2.35:1	2.37:1	2.39:1	2.40:1
	4:3	16:10	16:9	21:9			

Optional Accessories

- > Extension brackets for screens up to 60 cm
- > Receiver and RF remote control for motorized screen (3 modalities: basic, automatic and compatible with domotic systems)
- > Receiver and infrared remote control



Max One, is the new maxi screen from Adeo Screen renewed and perfected, it comes with open casing underneath, also available with optional "casing closure", to close off the housing completely.

Max One is the solution for very large projection, used for large scale applications.

Designed for practical installation, thanks to quick and easy assembly system.

The screen is also equipped with a safety roller fall system to avoid in any case the fall of the rolling tube.



See page for Technical data

Create your own screen with the PSS

- > **Personalized dimensions:** width and height
- > **Roller type:** standard motorized
- > **Case:** available only with case
- > **Case color:** available in white, black or custom color
- > **Projection surface fall:** front or rear with optional reverse-roll installation
- > **Side of command/motor:** right or left

Projection Surfaces (see page 6)

- > VisionWhite
 - > VisionAcoustik / VisionMacroAcoustik
- Available only without black borders.

Surfaces Fireproof Certifications



Standard Accessories

- > Kit with wall or ceiling installation brackets
- > Unipolar selector switch

PSS Formats

1:1	1.33:1	1.60:1	1.78:1	2.35:1	2.37:1	2.39:1	2.40:1
	4:3	16:10	16:9	21:9			

Optional Accessories

- > Receiver and RF remote control for motorized screen
- > Receiver and infrared remote control
- > Casing closure option
- > Extension brackets for screens up to 60 cm

Linear SE model dedicated to those who wish to get a competitive price product without forfeiting quality. Linear SE is a new motorized model with renewed aesthetics and a modern super-quick installation system. Technology and ease of installation are the main plus of this version, dedicated to professional installations, schools and small meeting rooms.

This screen model has not been conceived to be installed on-ceiling in the middle of a room; it will have to be installed against a wall.

Available with dimensions from 1.8 to 2.6 m viewing width in formats 1:1 / 4:3 / 16:9 / 16:10

See page for Technical data



Quick installation system ▲

Create your own screen with the PSS

- > **Personalized dimensions:** width and height
- > **Roller type:** motorized
- > **Case:** with quick-installation system
- > **Case color:** available in white or black grinz finish
- > **Projection surface fall:** rear only, with optional reverse-roll installation
- > **Side of command/motor:** right only

Projection Surfaces (see page 6)

- > VisionWhite / VisionWhitePro
 - > VisionRear DB / VisionRear
- Available only without black borders.

Surfaces Fireproof Certifications



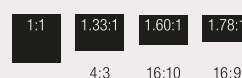
Standard Accessories

- > Kit with wall or ceiling quick installation brackets
- > Unipolar selector switch

Optional Accessories

- > Receiver and RF remote control for motorized screen
- > Receiver and infrared remote control

PSS Formats





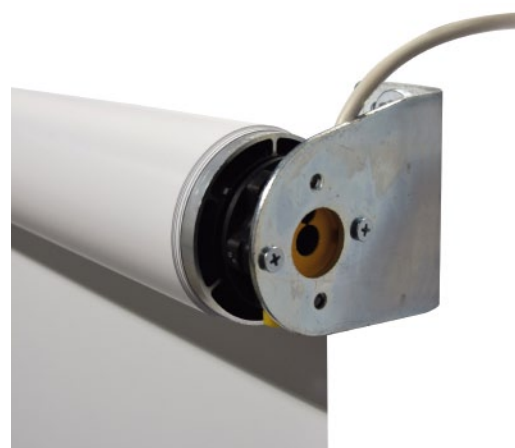
Integrated motorized screen without case.

This screen has been developed for professional installation, where the casing is not required.

Easy to install with installation brackets into the sides, is a screen that can be placed on wall or on ceiling in almost every spaces.

The screen can be supplied with standard motor or in RI version with black borders and with all surfaces available for motorized screen version.

See page **74** for Technical data



▲ Roller and installation system detail

Create your own screen with the PSS

- > **Personalized dimensions:** width and height
- > **Roller type:** motorized or radio integrated
- > **Case:** available only without case
- > **Projection surface fall:** front or rear with optional reverse-roll installation
- > **Side of command/motor:** right or left

Projection Surfaces (see page 6)

- > ReferenceWhite / ReferenceGrey
- > VisionWhite / VisionWhitePro
- > VisionAcoustik / VisionMacroAcoustik
- > VisionRear DB / VisionRear only without black borders

Surfaces Fireproof Certifications



Standard Accessories

- > Kit of side installation brackets
- > 1 switch with directional arrows, inclusive of wall mount hood
- > 1 plastic hex wrench

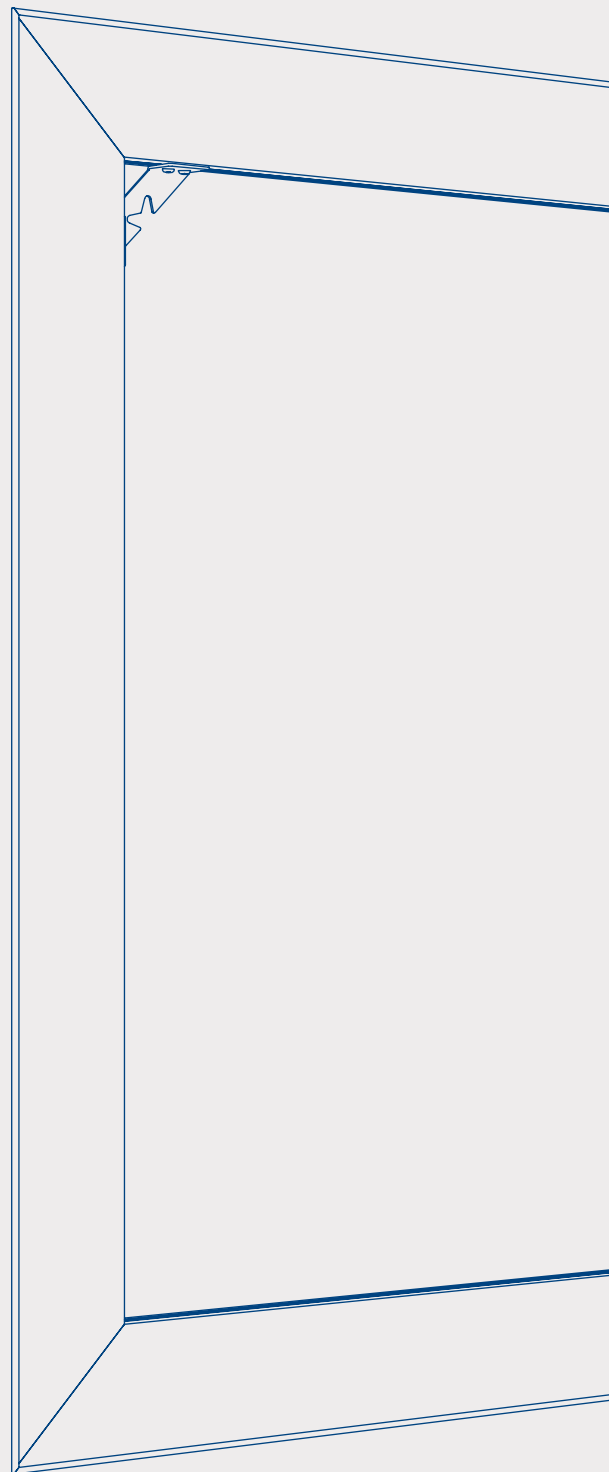
PSS Formats

1:1	1.33:1	1.60:1	1.78:1	2.35:1	2.37:1	2.39:1	2.40:1
	4:3	16:10	16:9	21:9			

Optional Accessories

- > Receiver and RF remote control for motorized screen
- > Receiver and infrared remote control
- > Extension brackets for screens up to 60 cm

FIXED SCREENS





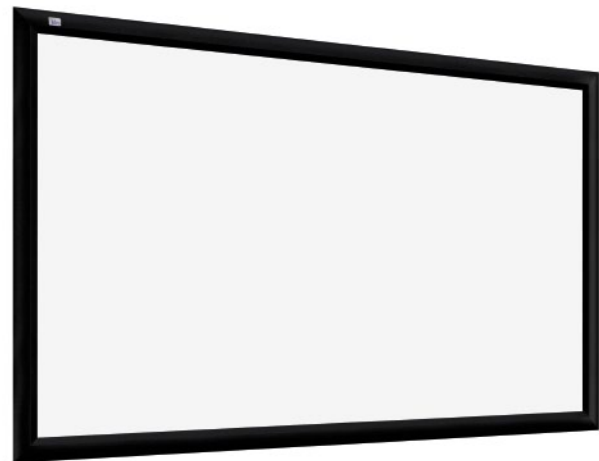
Plano ▲

The main applications of this product are in the Home Cinema sector; its use in the domestic environment is favoured by a harmonious design and by the installation system incorporated into the profile: the wall-mounted bracket slides into the back of the frame and disappears, ensuring the total adherence of the frame to the wall.

One of the most annoying effects on vision is caused by light reflecting off the frame of the screen. Extensive research into the structure of the profile, both from a functional and an aesthetic point of view, has resulted in the creation of Plano, the screen equipped with a special aluminium frame, angular on the internal side.

A solution designed to direct the reflection towards the outer edges of the screen instead of the projection surface or the audience. The profiles can be painted black, or coated in a velvet flock finish, which totally absorbs light and enhances the perception of contrast in the projected images. Tensioning is provided by elastic cables, which guarantee the perfect planarity of the surface, preventing any risk of undulation.

See page **78**
for Technical data



Plano Velvet ▲

Create your own screen with the PSS

- > **Personalized dimensions:** width and height
- > **Profile type:** black powder varnished or with black velvet flock

Projection Surfaces (see page 6)

- > ReferenceWhite / ReferenceGrey
- > HeliosWhite / HeliosGrey
- > VisionWhite / VisionWhitePro
- > VisionAcoustik
- > VisionRear DB / VisionRear

Standard Accessories

- > Kit with wall-mount brackets
- > Kit containing: elastics, iron rods and sliders for the assembly of the surface
- > For the assembly of the frame: angles complete with screws and nuts

Optional Accessories

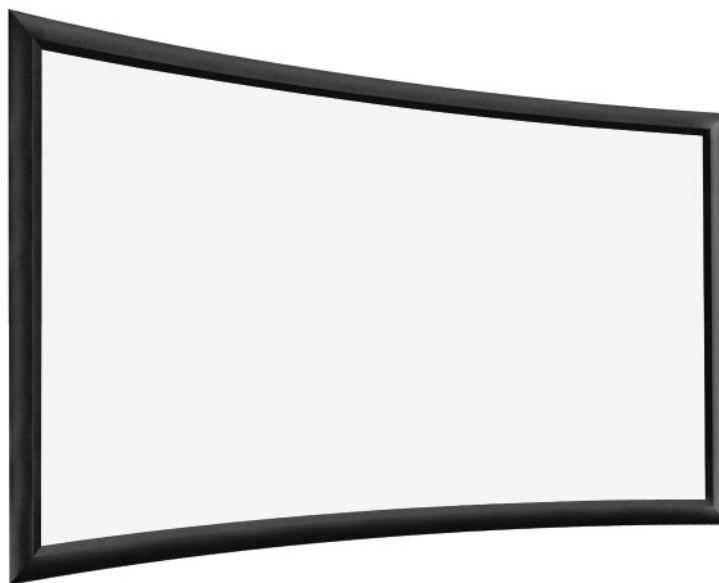
- > Adjustable floor-mount stands and fastening adapters

Surfaces Fireproof Certifications



PSS Formats

1.33:1	1.60:1	1.78:1	2.35:1
4:3	16:10	16:9	21:9

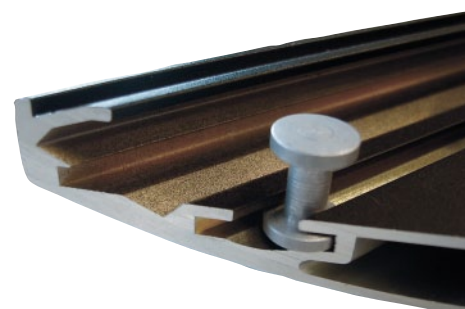


An unique video experience for all home-cinema devotees: this aptly sums up this creation by Adeo Screen. Would you like to immerse yourself completely in your favourite film? Try Plano Curved screen, and recreate that authentic theatre atmosphere: let each video projection surround you with images and become a totally involving emotional and sensory experience.

Plano Curved artfully blends expertise and innovation, incorporating the distinctive features of the Plano model while introducing a characteristic curved profile.

In addition to the product's outstanding performance, there are fundamental technical aspects that we feel should be highlighted: the profile's curvature and the optimal projection radius (based on the screen's dimensions) significantly improve the image's luminance uniformity. This solution can also be adopted with high-gain projection surfaces (such as HeliosWhite and HeliosGrey) with a native 2.35:1 format, eliminating any loss of luminosity at the edges that would normally occur when using a non-curved panoramic screen.

The profile's special black-velvet finish completely absorbs the light, enhancing the perception of contrast in the projected images. Available in 4:3, 16:10, 16:9 and 2.35:1 formats.



Plano Curved profile ▲

See page **78**
for Technical data

Create your own screen with the PSS

- > **Personalized dimensions:** width and height
- > **Profile type:** with black velvet flock

Projection Surfaces (see page 6)

- > ReferenceWhite / ReferenceGrey
- > HeliosWhite / HeliosGrey
- > VisionWhite / VisionWhitePro
- > VisionAcoustik

Standard Accessories

- > Kit with wall-mount brackets
- > Kit containing: elastics, iron rods and sliders for the assembly of the surface
- > For the assembly of the frame: angles complete with screws and nuts

Optional Accessories

- > Adjustable floor-mount stands and fastening adapters

Surfaces Fireproof Certifications



PSS Formats

1.33:1	1.60:1	1.78:1	2.35:1
4:3	16:10	16:9	21:9



FrameLess: the stylish screen. FrameLess is a borderless model whose sophisticated aesthetics create an optical illusion, with the screen blending into the wall on which it is mounted.

The projection surface hides the back frame from view, lending the screen a linear and minimal appearance.

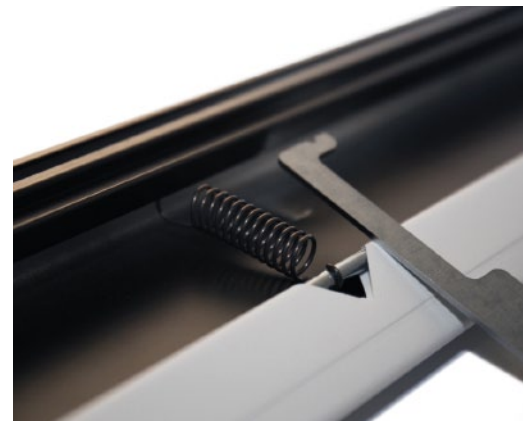
What is immediately striking about FrameLess is the use of an innovative structural solution featuring a special aluminium profile (108x32 mm) that prevents distortion and ensures absolute flatness of the projection surface.

Tensioning being a key factor during projection, we have implemented a system for anchoring the canvas with metal springs that keep the projection fabric firmly stretched over time, avoiding any risk of rippling or creasing.

FrameLess is ideally suited both for home installations - where a width of up to 4 m is usually the most in demand - and for professional environments, such as hotels, meeting or conference rooms, where a base size of up to 7 m is required.

FrameLess is available with all our front-projection surfaces and comes with a magnet anchoring kit for wall-flush installation.

See page **79**
for Technical data



Tool provided for easy installation of the projection surface ▲

Create your own screen with the PSS

- > **Personalized dimensions:** width and height
- > **Profile finish:** black powder varnished

Projection Surfaces (see page 6)

- > ReferenceWhite / ReferenceGrey
- > HeliosWhite / HeliosGrey
- > VisionWhite / VisionWhitePro
- > VisionAcoustik / VisionMacroAcoustik

Standard Accessories

- > Kit with wall-mount brackets
- > Kit containing springs and iron rods
- > For the assembly of the frame: angles complete with screws and nuts

Optional Accessories

- > Kit with ceiling brackets

Surfaces Fireproof Certifications



PSS Formats

1:1	1.33:1	1.60:1	1.78:1	2.35:1	2.37:1	2.40:1
	4:3	16:10	16:9	21:9		

FrameLess Curved



An enveloping image is more involving. This is why we developed the curved version of FrameLess – for a totally immersive experience.

Capturing the viewer's attention with its curved screen, this is an admirable product that blends seamlessly into an elegant ambience while delivering high-quality images.

The aluminium profile (108x32 mm) prevents warping and ensures even greater flatness of the projection fabric, which is fastened to the back of the profile by a system of metal springs. This additional feature helps avoid any ripples or creases.

With the projection fabric covering its entire frame, FrameLess Curved engages in a dialogue with the surrounding wall and enhances the room like a furnishing accessory.

The effect is one of practical lightness.

Sizes range from 2 to 6 m and can be fitted with front-projection fabrics.



See page **80**
for Technical data



Create your own screen with the PSS

- > **Personalized dimensions:** width and height
- > **Profile finish:** black powder varnished

Projection Surfaces (see page 6)

- > ReferenceWhite / ReferenceGrey
- > HeliosWhite / HeliosGrey
- > VisionWhite / VisionWhitePro
- > VisionAcoustik / VisionMacroAcoustik

Standard Accessories

- > Kit with wall-mount brackets
- > Kit containing springs and iron rods
- > For the assembly of the frame: angles complete with screws and nuts

Optional Accessories

- > Kit with ceiling brackets

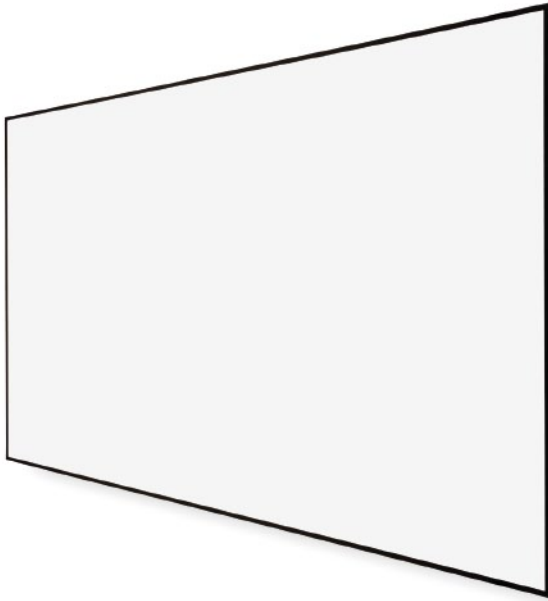
Surfaces Fireproof Certifications



PSS Formats

1.78:1 2.35:1 2.37:1 2.39:1 2.40:1

16:9 21:9

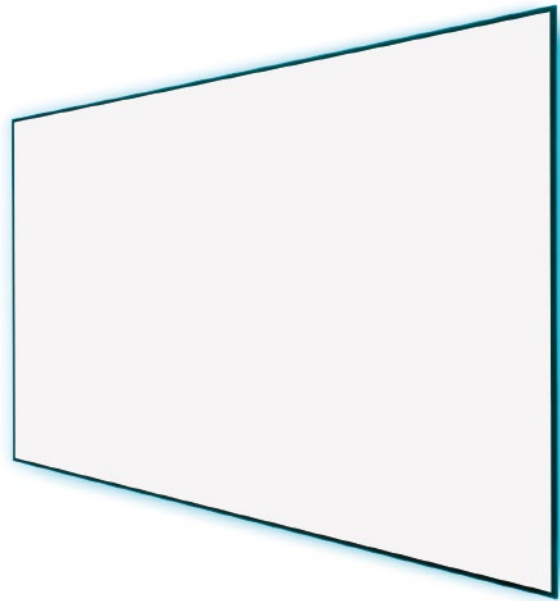


This model of our fixed-screen category evokes contemporary charm and quality. The concept underlying the modern design of the Prestige project focuses on regular, essential geometric forms. Prestige distinguishes itself through its black, ultra-slim, technologically revisited aluminium frame of only 10x6 mm in thickness, of extreme linearity, expressing the latest taste in the LED OLED monitors market.

To meet the needs of our Customers, this model can be fitted with a range of front-projection fabrics featuring a spring-tensioning system that ensures correct and constant tensioning.

To highlight certain details or to introduce an element of colour, Adeo Screen proposes the installation of optional LED back-lighting for a touch of illumination that lends warmth to the wall.

See page **79**
for Technical data



RGB Led strip option ▲

Create your own screen with the PSS

- > **Personalized dimensions:** width and height
- > **Profile finish:** black powder varnished or with black velvet flock

Projection Surfaces (see page 6)

- > ReferenceWhite / ReferenceGrey
- > HeliosWhite / HeliosGrey
- > VisionWhite / VisionWhitePro
- > VisionAcoustik

Standard Accessories

- > Kit with wall-mount brackets
- > Kit containing springs and iron rods
- > For the assembly of the frame: angles complete with screws and nuts

Optional Accessories

- > Black velvet flock cover
- > RGB Led back lighting

Surfaces Fireproof Certifications

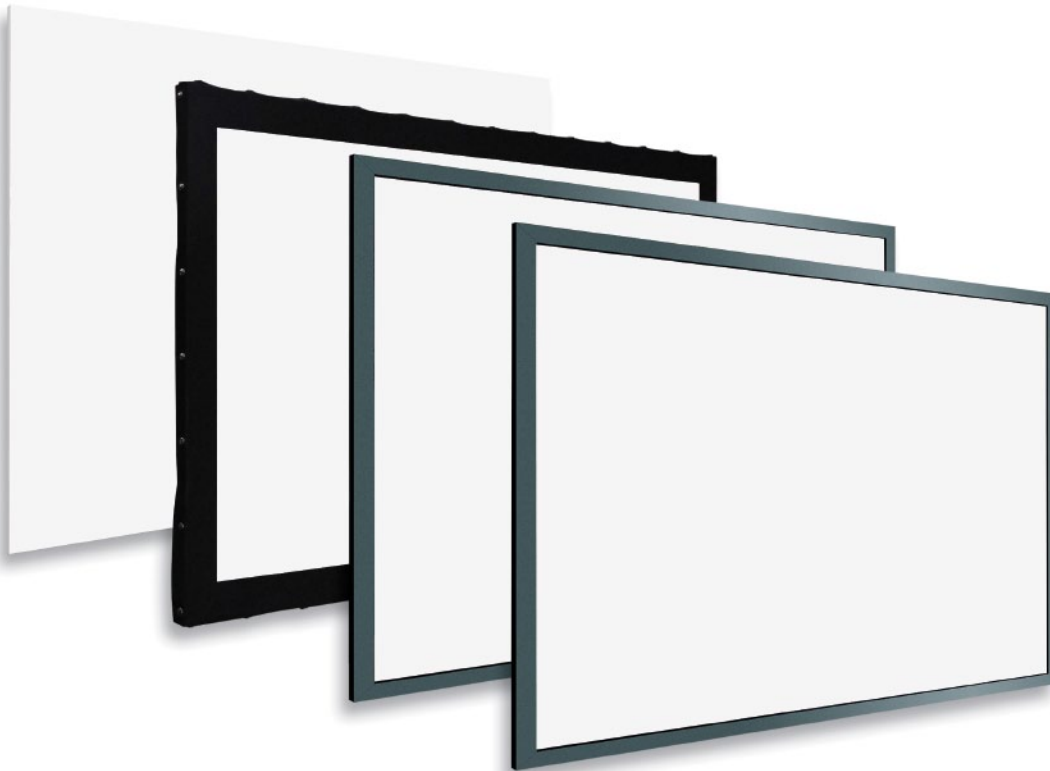


PSS Formats

1.78:1 2.35:1 2.37:1 2.40:1

16:9 21:9

A screen that offers a fourfold service. Following in the footsteps of Frame, FramePro features a structural aluminium frame – divided into several parts for easier transport – and particularly robust and hard wearing angles, which add solidity to the assembly. This model distinguishes itself by enabling four different types of configuration: depending on the chosen version, the projection surface can be front or rear mounted, by means of the traditional elastic bands or with snap buttons.



An additional option is the black flocked frame: the velour finish completely absorbs any light and enhances the perception of contrast in the projected images.

Unprecedented versatility, for the most demanding spectator and for the most atypical situations.





▲ Easy projection surface installation thanks to elastic bands and rods

FramePro Front Elastic Bands

Version with front-mounted projection surface, applied with elastics

The best response to aesthetic demands and to the expectations of minimalist architecture: the projection surface conceals the structural parts of the screen, harmonising discreetly with the surrounding ambience.

The wall mount (all sizes) includes spacers: this solution has been designed especially for easy installation, and to separate the screen from the wall by a couple of centimetres where necessary (e.g. in case of backlighting). Alternatively, floor assembly is possible by means of specific professional stands. Sizes are customisable. The profile can be divided into several parts.

See page **85**
for Technical data

Create your own screen with the PSS

- > **Personalized dimensions:** width and height
- > **For transportation purposes:** base and/or height sections can be divided into two parts

Projection Surfaces (see page 6)

- > ReferenceGrey
- > VisionWhitePro

Standard Accessories

- > Elastic bands and cursors
- > Fabric angles (for precise finishing)
- > Joints (where applicable)
- > Nuts and bolts for tightening the angles and joints
- > Brackets for wall mount

Optional Accessories

- > Adjustable floor-mount stands and fastening adapters
- > Kit with rings for anchoring the screen to tubular structures

Surfaces Fireproof Certifications



PSS Formats

1.33:1	1.60:1	1.78:1	2.35:1
4:3	16:10	16:9	21:9



FramePro Front Buttons

Version with front-mounted projection surface, applied with snap buttons

Particularly suitable for service, this proposal meets the expectations of those who prefer to apply the projection surface by means of snap buttons. A black edge is applied all around the border (where the buttons are), hiding any signs of wear resulting from repeated use, and typical of rental contexts on the profile (which is divided in several parts).

The screen can be installed by means of professional stands (floor assembly); on aluminium trusses; wall-mounted (all sizes) with a mount system integrated into the profile (the wall brackets are inserted into the rear part of the frame, ensuring complete adherence).



▲ Button type front projection surface installation system

See page **81**
for Technical data

Create your own screen with the PSS

- > **Personalized dimensions:** width and height
- > **For transportation purposes:** base and/or height sections can be divided into two parts

Projection Surfaces (see page 6)

- > VisionFold / VisionFoldRear

Standard Accessories

- > Angles
- > Joints (where applicable)
- > Nuts and bolts for tightening the angles and joints
- > Brackets for wall mount

Optional Accessories

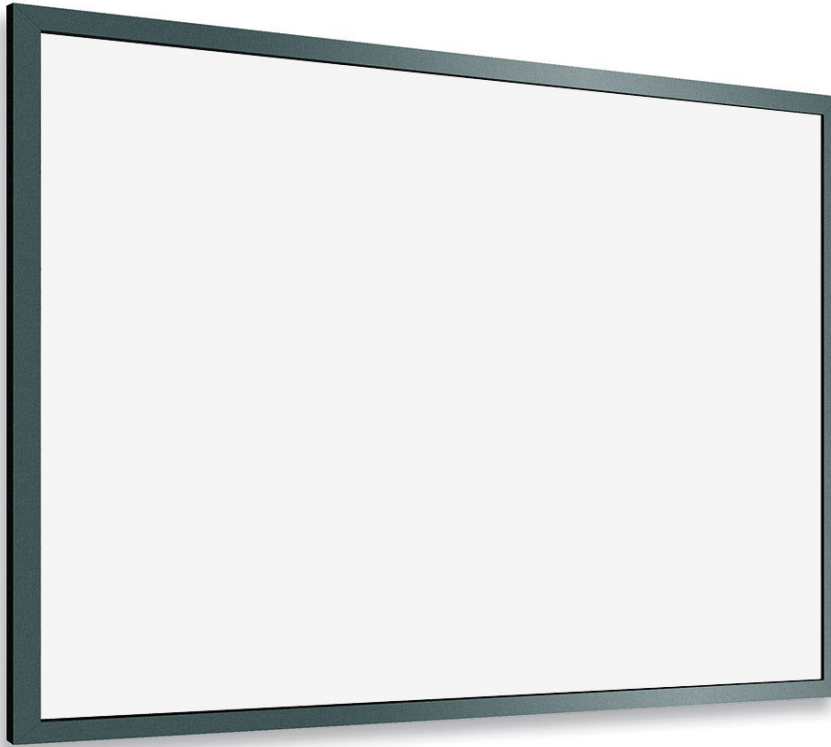
- > Adjustable floor-mount stands and fastening adapters
- > Kit with rings for anchoring the screen to tubular structures

Surfaces Fireproof Certifications



PSS Formats

1.33:1	1.60:1	1.78:1	2.35:1
4:3	16:10	16:9	21:9



FramePro Rear Elastic Bands

Version with rear-mounted projection surface, applied with elastics.

This screen (all sizes) is installed flush with the wall, owing to the mounting system integrated into its profile, which conceals the assembly structure (the wall-mounted bracket inserted into the rear part of the frame). Ideal for fixed installations, and particularly for home theatre applications, it blends in harmoniously with the surrounding environment. This version is available with black varnished or flocked profile. Floor assembly can be achieved by means of professional stands. Sizes are customisable. The profile can be divided into several parts.



▲ Easy rear elastic bands installation system

See page **82**
for Technical data

Create your own screen with the PSS

- > **Personalized dimensions:** width and height
- > **For transportation purposes:** base and/or height sections can be divided into two parts
- > **Profile type:** black powder varnished or with black velvet flock

Projection Surfaces (see page 6)

- > ReferenceWhite / ReferenceGrey
- > HeliosWhite / HeliosGrey
- > VisionWhite / VisionWhitePro
- > VisionAcoustik / VisionMacroAcoustik
- > VisionRear DB / VisionRear
- > VisionFold / VisionFoldRear

Surfaces Fireproof Certifications



Standard Accessories

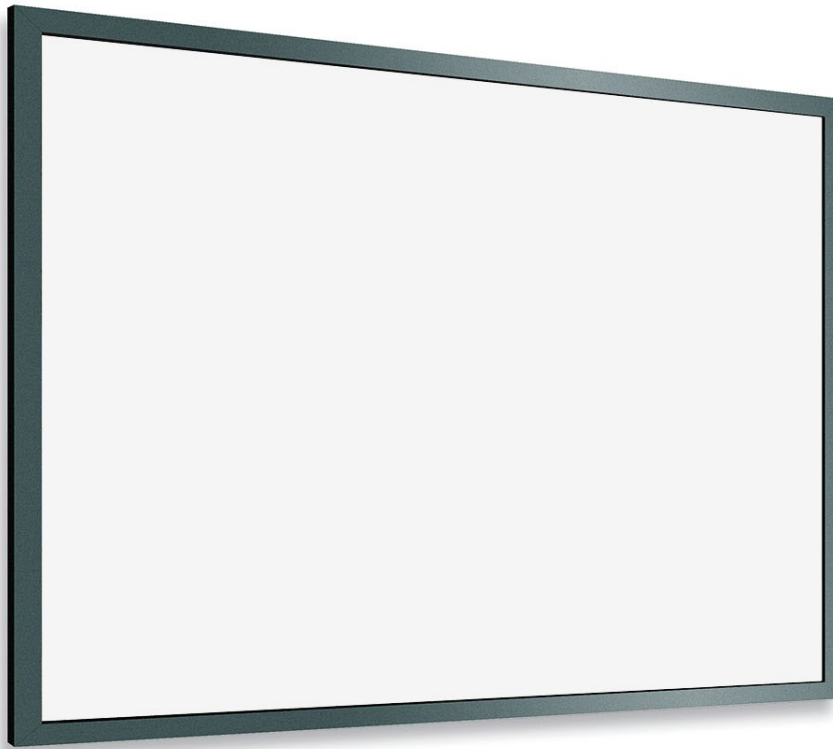
- > Elastic bands and cursors
- > Fabric angles (for precise finishing)
- > Joints (where applicable)
- > Nuts and bolts for tightening the angles and joints
- > Brackets for wall mount

PSS Formats

1.33:1	1.60:1	1.78:1	2.35:1
4:3	16:10	16:9	21:9

Optional Accessories

- > Adjustable floor-mount stands and fastening adapters
- > Kit with rings for anchoring the screen to tubular structures
- > Kit with ceiling brackets installation



FramePro Rear Buttons

Version with rear-mounted projection surface, applied with snap buttons

Dedicated for those who prefer to apply the projection surface with snap buttons. Wall flush installation is possible with all sizes, owing to the integrated mount system with wall-mount brackets inserted into the rear of the frame.

In addition, infinite applications are also possible in the rental sector, thanks to the floor assembly (achieved by means of professional stands), or the aluminium truss option. Sizes are customisable. The profile is available in flocked or black varnished versions, and can be divided into several parts.



See page **82**
for Technical data

▲ Rear buttons installation of the projection surface

Create your own screen with the PSS

- > **Personalized dimensions:** width and height
- > **For transportation purposes:** base and/or height sections can be divided into two parts
- > **Profile type:** black powder varnished or with black velvet flock

Projection Surfaces (see page 6)

- > VisionFold / VisionFoldRear

Standard Accessories

- > Angles
- > Joints (where applicable)
- > Cursors
- > Nuts and bolts for tightening the angles and joints
- > Brackets for wall mount

Surfaces Fireproof Certifications



PSS Formats

1.33:1	1.60:1	1.78:1	2.35:1
4:3	16:10	16:9	21:9



Ample open spaces, sumptuous shows, highly effective installations: meet Cinema.

Our careful research into materials has led to the creation of extremely robust profiles capable of sustaining a base size of up to 24m. The screen has been further improved with the inclusion of structural bars every 4 or 5m, increasing the stability of the inner structure. Even the fabric-anchoring system has been redesigned to make assembly operations quicker and simpler: a very important aspect when mounting such imposing screens.

To lend the frame a modern look and to ensure it harmonises with its surroundings, the aluminium frame is completely enveloped in the fabric, which is fastened directly to the frame via a new anchoring system.

Cinema can be equipped with front-projection surfaces of the Adeo Screen range which, in products of this size (base width from 7 to 24 m), are welded vertically.



Elastic stretchers for an optimal tensioning and an easy installation of the projection surface ▲

See page **83**
for Technical data

Create your own screen with the PSS

> **Personalized dimensions:** width and height

Projection Surfaces (see page 6)

- > ReferenceWhite / ReferenceGrey
- > VisionWhite / VisionWhitePro
- > VisonAcoustik / VisonMacroAcoustik

Standard Accessories

- > Iron junction and corners
- > Brackets for wall mount
- > Brackets for stiffener
- > M8 screws set
- > Elastics Stretcher
- > Fabric angles (for precise finishing)

Surfaces Fireproof Certifications



PSS Formats

1.78:1 1.89:1 2.35:1 2.37:1 2.40:1

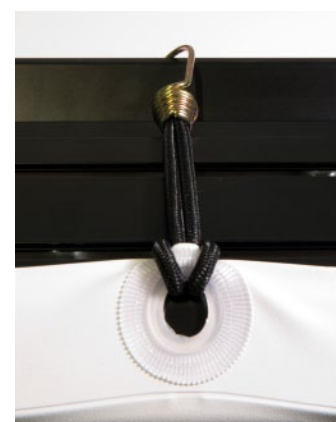
16:9

21:9



Cinema Curved is a new born in the family of fixed installation screens. This new product, designed for wide open spaces and spectacular projections, engages the viewer with high-quality images and an exciting, high-impact cinema experience. The fabric-anchoring system has been designed to make assembly operations quicker and simpler. The alluminium frame is completely surrounded from the screen fabric, which is fastened directly to the frame structure through a new anchoring system. Surface is always welded on the vertical side. Cinema Curved screens are produced in sizes from 7m to 24m.

See page **84** for Technical data



▲ Elastic stretchers and eyelet detail

Create your own screen with the PSS

> **Personalized dimensions:** width and height

Projection Surfaces (see page 6)

- > ReferenceWhite / ReferenceGrey
- > VisionWhite / VisionWhitePro
- > ViisonAcoustik / VisionMacroAcoustik

Standard Accessories

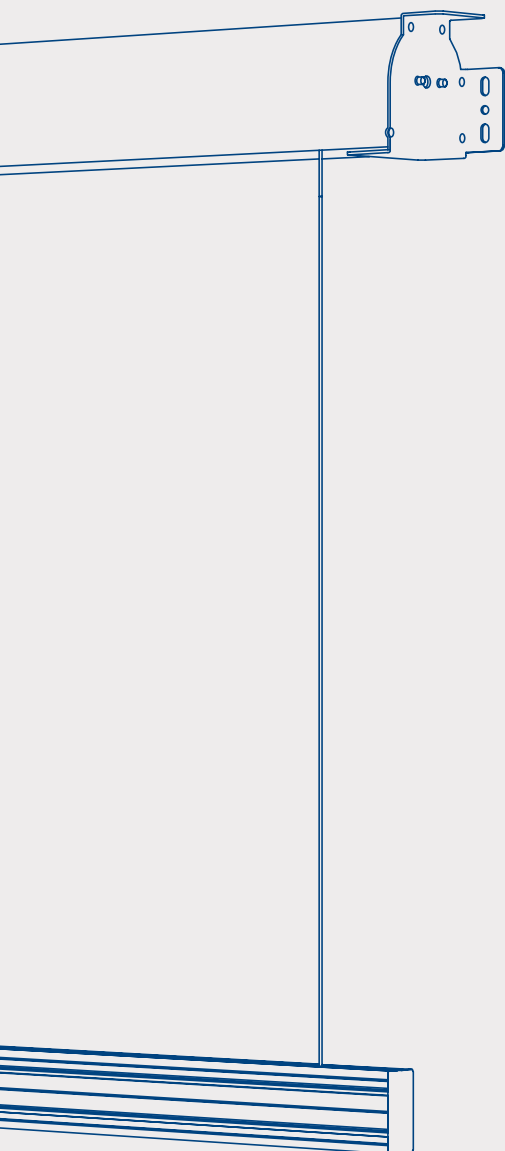
- > Iron junction and corners
- > Brackets for wall mount
- > Brackets for stiffener
- > M8 screws set
- > Elastics Stretcher
- > Fabric angles (for precise finishing)

Surfaces Fireproof Certifications



PSS Formats

1.78:1	1.89:1	2.35:1	2.37:1	2.40:1
16:9		21:9		



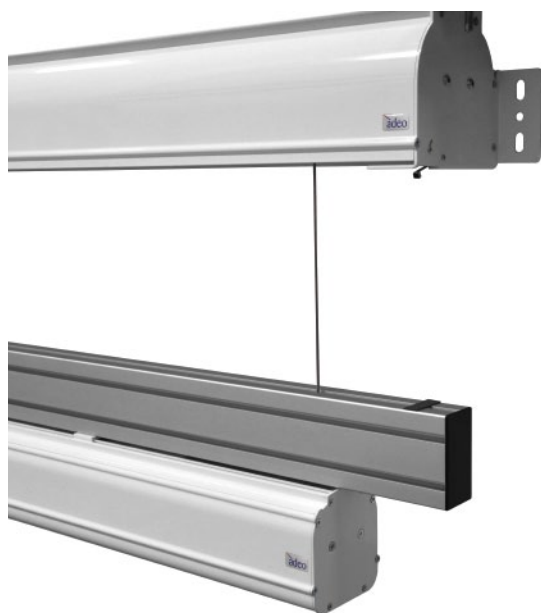
SPECIAL SOLUTIONS

Lift Screen

Elevator for on-ceiling motorized screens, with powder-coated aluminium case in white color (RAL 9016). Casing with flat iron end caps, equipped with 4m long iron cables.

The maximum size of the screen you can install on the Lift Screen is 4.5m overall size for a weight of 60kg.

See page **187**
for Technical data



Create your own screen with the PSS

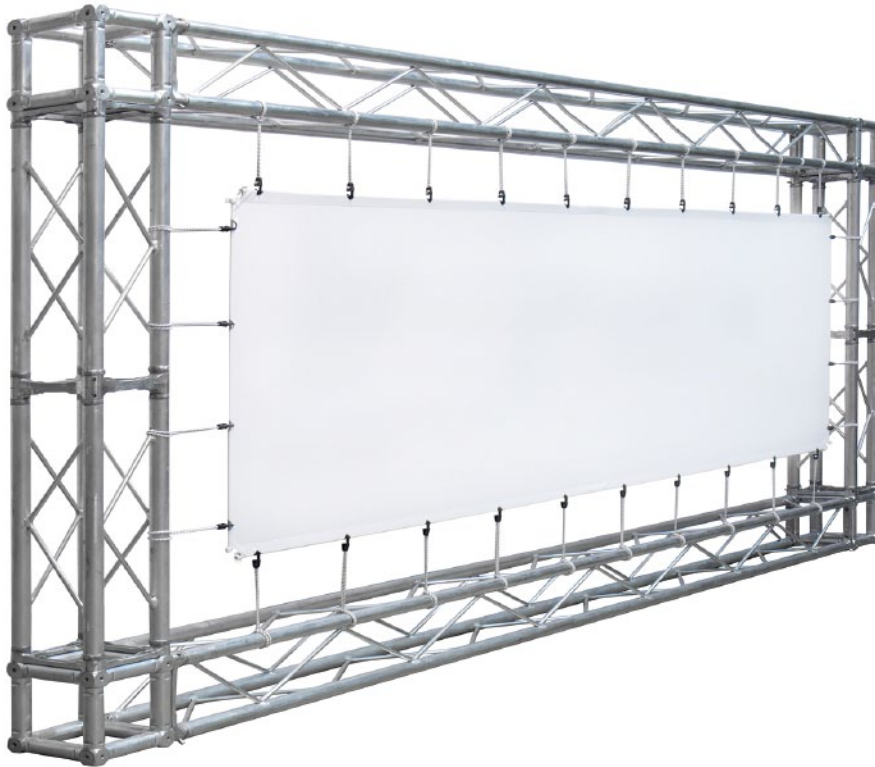
- > **Personalized dimensions:** width of the casing and cable height
- > **Roller type:** standard motorized
- > **Case color:** available in white only
- > **Side of command/motor:** right only

Standard Accessories

- > 1 Kit of installation brackets (ceiling or wall)
- > Unipolar selector switch

Optional Accessories

- > 2 receivers and RF remote control for motorized screen
- > Extension brackets for screens up to 60 cm



Versatility, practicality, and above all efficiency and excellent performance: in the service and rental contexts, tools are fundamental and must fulfil all of these requirements. When it comes to screens, the solution is Easy, the surface designed especially for rental, and particularly for use with aluminium truss structures. Iron rods are inserted into dedicated hems along the four sides; in various points along the perimeter formed by these iron rods, elastic cables anchor the screen to the aluminium truss. This system prevents any warping or distortion of the projection surface. The tensioning can be further personalized through a choice of elastic cable sizes. The product is sold with a kit of 20 cm elastic cables; kits for special installations are available on demand with 35 and 55 cm cables. In order to optimize the packaging and transportation of the screen, the iron rods to be inserted into the base are always divided into two halves; one-piece rods are also available for the other three sides, depending on the end user's individual requirements.



▲ Elastic stretchers detail

See page **185** for Technical data

Create your own screen with the PSS

> **Personalized dimensions:** width and height

Projection Surfaces (see page 6)

- > ReferenceWhite / ReferenceGrey
- > HeliosWhite / HeliosGrey
- > VisionWhite / VisionWhitePro
- > VisionAcoustik / VisionMacroAcoustik
- > VisionRear DB / VisionRear
- > VisionFold / VisionFoldRear

Standard Accessories

- > Kit with 20 cm cables
- > Wing screws

Optional Accessories

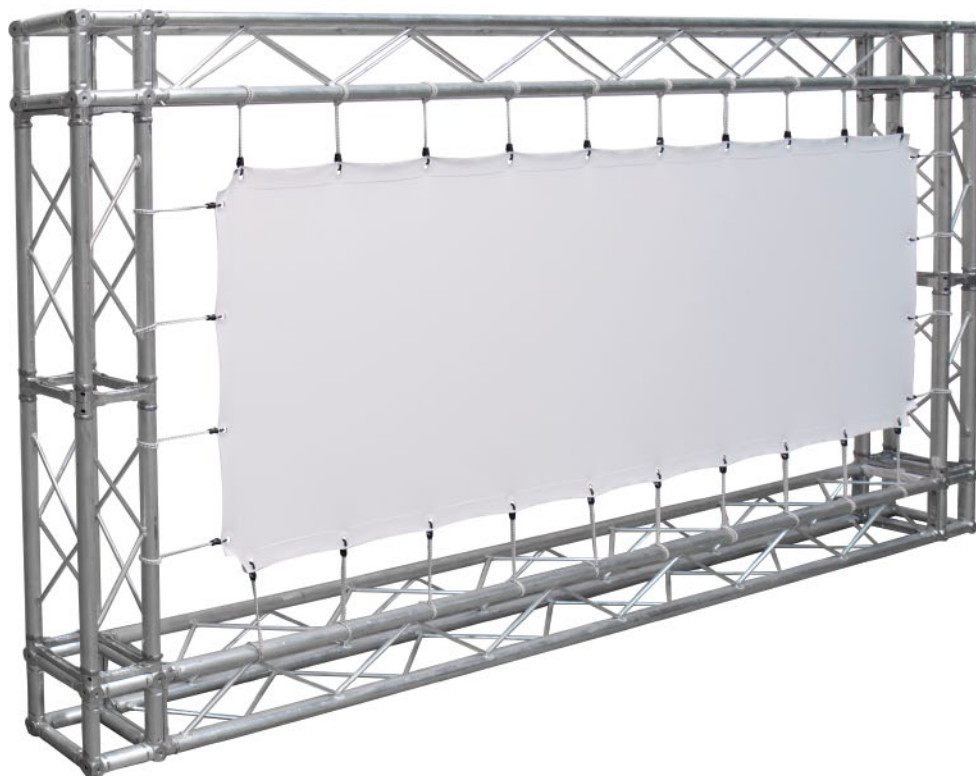
- > Kit with 35 and 55 cm cables for special installations

Surfaces Fireproof Certifications



PSS Formats

1:1	1.33:1	1.60:1	1.78:1	1.89:1	2.35:1	2.37:1	2.40:1
	4:3	16:10	16:9		21:9		



Projection surface to be fixed on alluminium truss structure, equipped with elastic cables to anchor the screen on the structure.

All around the entire perimeter there are reinforcement eyelets to prevent distortion of the projection surface. This solution is designed especially for rental and service usage where versatility and practicality are requested.

The tensioning can be further personalized through a choice of elastic cable sizes, the product is sold with a kit of 20 cm elastic cable; kits for special installations are available on request with 35 and 55cm cables.

See page **86**
for Technical data



▲ Easy projection surface installation with elastic cables

Create your own screen with the PSS

> **Personalized dimensions:** width and height

Projection Surfaces (see page 6)

- > ReferenceWhite / ReferenceGrey
- > HeliosWhite / HeliosGrey
- > VisionWhite / VisionWhitePro
- > VisionAcoustik / VisionMacroAcoustik
- > VisionRear DB / VisionRear
- > VisionFold / VisionFoldRear

Standard Accessories

- > Kit with 20 cm cables

Optional Accessories

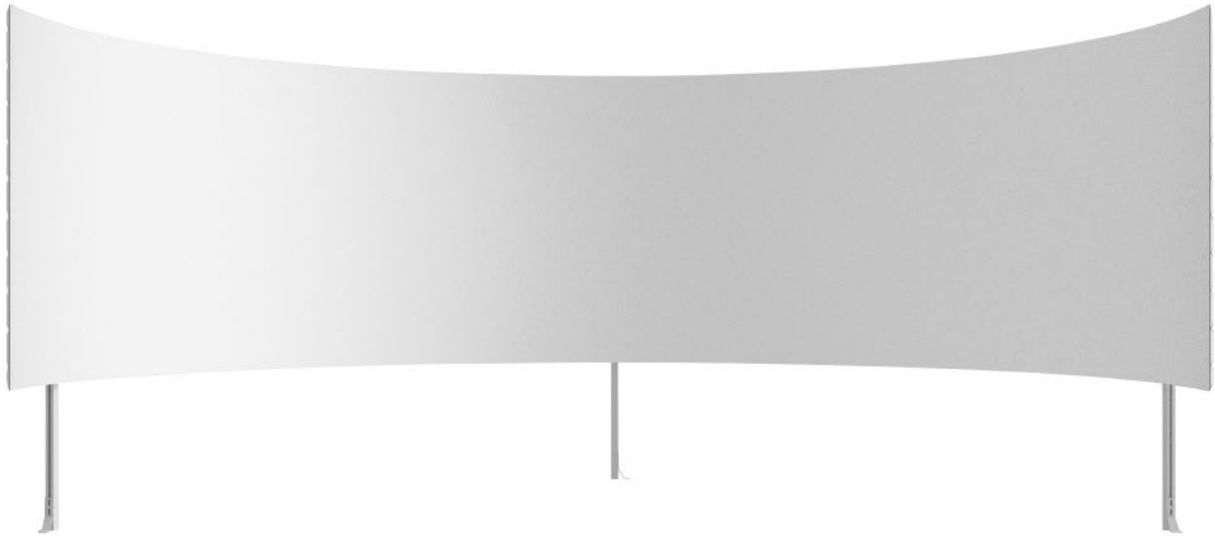
- > Kit with 35 and 55cm cables for special installation.

Surfaces Fireproof Certifications



PSS Formats

1:1	1.33:1	1.60:1	1.78:1	1.89:1	2.35:1	2.37:1	2.40:1
	4:3	16:10	16:9		21:9		



Round is the screen with a reduce curvature especially designed for simulators. The screen has a 64x36.5 mm aluminium structure on which the projection surface is mounted with a system of metal springs that guarantees the correct surface tension. Round was developed to meet a growing demand for simulator solution ideal for installations in control rooms, museums and in virtual reality contexts. Available in the full choice of surface of fixed screens range. Suitable for floor installations only.

Create your own screen with the PSS

> **Personalized dimensions:** width and height

Projection Surfaces (see page 6)

- > ReferenceWhite / ReferenceGrey
- > VisionWhite / VisionWhitePro
- > VisionAcoustik / VisionMacroAcoustik

Standard Accessories

- > Iron junction (profiles grooves)
- > Brackets for stiffeners
- > Metal springs
- > Fabric corners
- > Floor legs

Optional Accessories

- > Adjustable Floor legs

Surfaces Fireproof Certifications



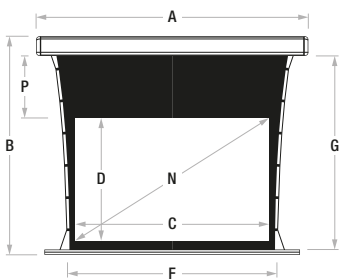
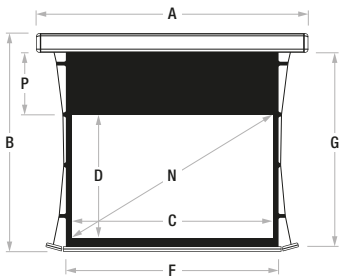
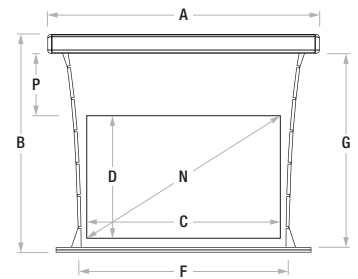
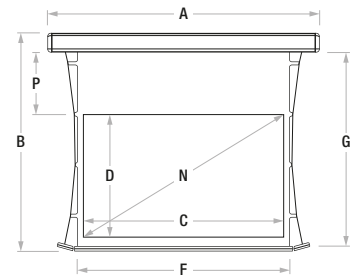
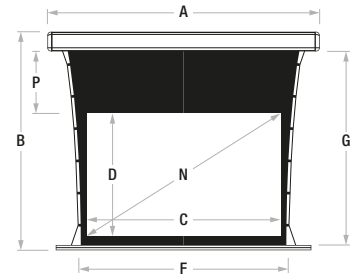
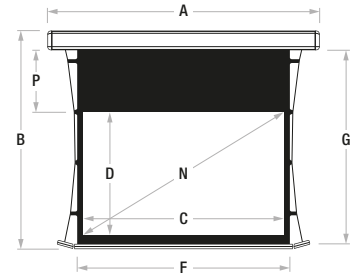
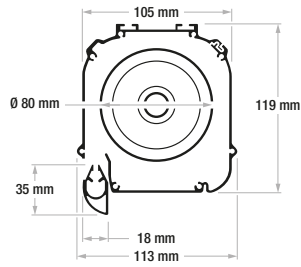
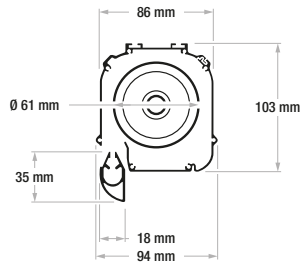
PSS Formats

1.33:1	1.60:1	1.78:1
4:3	16:10	16:9

TECHNICAL DATA

Elegance Tensio CTS 5 cm borders/without borders - Tensio Classic 5 cm borders/without border

Aspect Ratio	Viewing Width	Viewing Height	Diagonal Inches	Overall Width	Overall Height	Surface Width	Surface Height	Standard Drop	Total Maximum Drop	Packaging Dimensions	Net Weight	Gross Weight
	C	D	N	A	B	F	G	P	mm	mm	kg	kg
1,00 (1:1)	2020	2020	112	2500	2258	2120	2120	50	50	2700x150x180	14	17
	2520	2520	140	3000	2824	2620	2670	100	100	3200x150x180	23	26
	3020	3020	168	3500	3440	3220	3270	150	150	3700x150x180	32	35
1,33 (4:3)	2020	1519	99	2500	1757	2120	1619	50	450	2700x150x180	15	18
	2520	1895	124	3000	2199	2620	2045	100	450	3200x150x180	25	28
	3020	2271	149	3500	2575	3120	2421	150	450	3700x150x180	28	33
1,78 (16:9)	2020	1135	91	2500	1373	2120	1235	50	450	2700x150x180	14	17
	2520	1416	114	3000	1720	2620	1566	100	450	3200x150x180	23	26
	3020	1697	136	3500	2001	3120	1847	100	450	3700x150x180	26	31
1,60 (16:10)	2020	1263	94	2500	1501	2120	1363	50	450	2700x150x180	14	17
	2520	1575	117	3000	1879	2620	1725	100	450	3200x150x180	23	26
	3020	1888	140	3500	2192	3120	2038	100	450	3700x150x180	26	31
2,35 (21:9)	2020	860	86	2500	1098	2120	960	50	450	2700x150x180	13	16
	2520	1072	108	3000	1376	2620	1222	100	450	3200x150x180	22	25
	3020	1285	129	3500	1589	3120	1435	100	450	3700x150x180	25	30
2,37	2020	852	86	2500	1090	2120	952	50	450	2700x150x180	14	17
	2520	1063	108	3000	1367	2620	1213	100	450	3200x150x180	23	26
	3020	1274	129	3500	1578	3120	1424	100	450	3700x150x180	26	31
2,40	2020	842	86	2500	1080	2120	942	50	450	2700x150x180	13	16
	2520	1050	107	3000	1354	2620	1200	100	450	3200x150x180	22	25
	3020	1258	129	3500	1562	3120	1408	100	450	3700x150x180	25	30



Elegance Tensio CTS 7 cm borders - Tensio Classic 7 cm borders

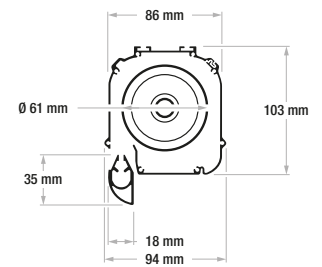
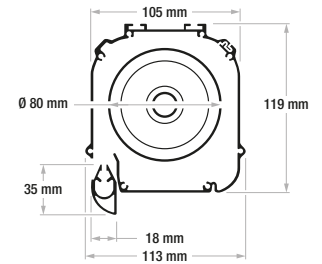
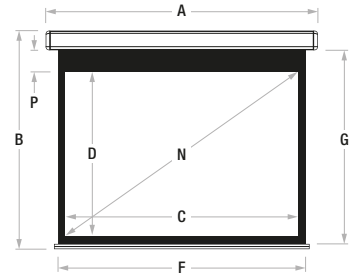
Aspect Ratio	Viewing Width	Viewing Height	Diagonal Inches	Overall Width	Overall Height	Surface Width	Surface Height	Standard Drop	Total Maximum Drop	Packaging Dimensions	Net Weight	Gross Weight
	C	D	N	A	B	F	G	P	mm	mm	kg	kg
1,00 (1:1)	1980	1980	110	2500	2258	2120	2120	70	70	2700x150x180	14	17
	2480	2480	138	3000	2804	2620	2650	100	100	3200x150x180	23	26
	2980	2980	166	3500	3450	3240	3290	150	150	3700x150x180	32	35
1,33 (4:3)	1980	1489	98	2500	1767	2120	1629	70	450	2700x150x180	15	18
	2480	1865	122	3000	2189	2620	2035	100	450	3200x150x180	25	28
	2980	2241	147	3500	2565	3120	2411	100	450	3700x150x180	28	33
1,78 (16:9)	1980	1112	89	2500	1390	2120	1252	70	450	2700x150x180	14	17
	2480	1393	112	3000	1717	2620	1563	100	450	3200x150x180	23	26
	2980	1674	135	3500	1998	3120	1844	100	450	3700x150x180	26	31
1,60 (16:10)	1980	1238	92	2500	1516	2120	1378	70	450	2700x150x180	14	17
	2480	1550	115	3000	1874	2620	1720	100	450	3200x150x180	23	26
	2980	1863	138	3500	2187	3120	2033	100	450	3700x150x180	26	31
2,35 (21:9)	1980	843	85	2500	1121	2120	983	70	450	2700x150x180	13	16
	2480	1055	106	3000	1379	2620	1225	100	450	3200x150x180	22	25
	2980	1268	128	3500	1592	3120	1438	100	450	3700x150x180	25	30
2,37	1980	835	85	2500	1113	2120	975	70	450	2700x150x180	14	17
	2480	1046	106	3000	1370	2620	1216	100	450	3200x150x180	23	26
	2980	1257	127	3500	1581	3120	1427	100	450	3700x150x180	26	31
2,40	1980	825	84	2500	1103	2120	965	70	450	2700x150x180	13	16
	2480	1033	106	3000	1357	2620	1203	100	450	3200x150x180	22	25
	2980	1242	127	3500	1566	3120	1412	100	450	3700x150x180	25	30

Technical Data

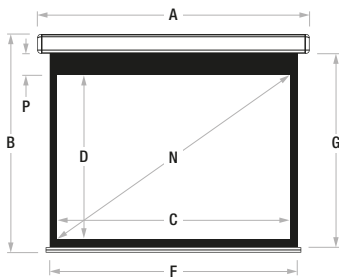


Elegance 5 cm borders

Aspect Ratio	Viewing Width	Viewing Height	Diagonal Inches	Overall Width	Overall Height	Surface Width	Surface Height	Standard Drop	Total Maximum Drop	Packaging Dimensions	Net Weight	Gross Weight
	C	D	N	A	B	F	G	P	mm			
1,00 (1:1)	1800	1800	100	2000	2038	1900	1900	50	50	2200x150x180	11	12
	2300	2300	128	2500	2554	2400	2400	50	50	2700x150x180	14	17
	2800	2800	156	3000	3104	2900	2950	100	100	3200x150x180	23	26
1,33 (4:3)	1800	1353	89	2000	1591	1900	1453	50	450	2200x150x180	13	16
	2300	1729	113	2500	1967	2400	1829	50	400	2700x150x180	17	20
	2800	2105	138	3000	2409	2900	2255	100	450	3200x150x180	25	28
1,60 (16:10)	1800	1125	84	2000	1363	1900	1225	50	450	2200x150x180	12	13
	2300	1438	107	2500	1676	2400	1538	50	450	2700x150x180	17	20
	2800	1750	130	3000	2054	2900	1900	100	450	3200x150x180	23	26
1,78 (16:9)	1800	1011	81	2000	1249	1900	1111	50	450	2200x150x180	12	13
	2300	1292	104	2500	1530	2400	1392	50	450	2700x150x180	17	20
	2800	1573	126	3000	1877	2900	1723	100	450	3200x150x180	23	26
2,35 (21:9)	1800	766	77	2000	1004	1900	866	50	450	2200x150x180	12	13
	2300	979	98	2500	1217	2400	1079	50	450	2700x150x180	17	20
	2800	1191	120	3000	1495	2900	1341	100	450	3200x150x180	23	26
2,37	1800	759	77	2000	997	1900	859	50	450	2200x150x180	12	13
	2300	970	98	2500	1208	2400	1070	50	450	2700x150x180	17	20
	2800	1181	120	3000	1485	2900	1331	100	450	3200x150x180	23	26
2,39	1800	753	77	2000	991	1900	853	50	450	2200x150x180	12	13
	2300	962	98	2500	1200	2400	1062	50	450	2700x150x180	17	20
	2800	1172	119	3000	1476	2900	1322	100	450	3200x150x180	23	26
2,40	1800	750	77	2000	988	1900	850	50	450	2200x150x180	12	13
	2300	958	98	2500	1196	2400	1058	50	450	2700x150x180	17	20
	2800	1167	119	3000	1471	2900	1317	100	450	3200x150x180	23	26



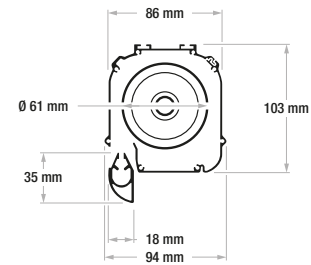
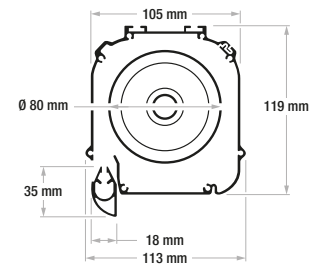
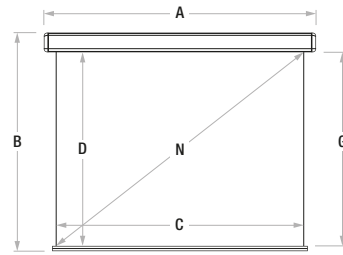
Elegance 7 cm borders



Aspect Ratio	Viewing Width	Viewing Height	Diagonal Inches	Overall Width	Overall Height	Surface Width	Surface Height	Standard Drop	Total Maximum Drop	Packaging Dimensions	Net Weight	Gross Weight
	C	D	N	A	B	F	G	P	mm			
1,00 (1:1)	1760	1760	98	2000	2038	1900	1900	70	70	2200x150x180	11	12
	2260	2260	126	2500	2554	2400	2400	70	70	2700x150x180	14	17
	2760	2760	154	3000	3084	2900	2930	100	100	3200x150x180	23	26
1,33 (4:3)	1760	1323	87	2000	1601	1900	1463	70	450	2200x150x180	13	16
	2260	1699	111	2500	1977	2400	1839	70	400	2700x150x180	17	20
	2760	2075	136	3000	2399	2900	2245	100	450	3200x150x180	25	28
1,60 (16:10)	1760	1100	82	2000	1378	1900	1240	70	450	2200x150x180	12	13
	2260	1413	105	2500	1691	2400	1553	70	450	2700x150x180	17	20
	2760	1725	128	3000	2049	2900	1895	100	450	3200x150x180	23	26
1,78 (16:9)	1760	989	79	2000	1267	1900	1129	70	450	2200x150x180	12	13
	2260	1270	102	2500	1548	2400	1410	70	450	2700x150x180	17	20
	2760	1551	125	3000	1875	2900	1721	100	450	3200x150x180	23	26
2,35 (21:9)	1760	749	75	2000	1027	1900	889	70	450	2200x150x180	12	13
	2260	962	97	2500	1240	2400	1102	70	450	2700x150x180	17	20
	2760	1174	118	3000	1498	2900	1344	100	450	3200x150x180	23	26
2,37	1760	743	75	2000	1021	1900	883	70	450	2200x150x180	12	13
	2260	954	97	2500	1232	2400	1094	70	450	2700x150x180	17	20
	2760	1165	118	3000	1489	2900	1335	100	450	3200x150x180	23	26
2,39	1760	736	75	2000	1014	1900	876	70	450	2200x150x180	12	13
	2260	946	96	2500	1224	2400	1086	70	450	2700x150x180	17	20
	2760	1155	118	3000	1479	2900	1325	100	450	3200x150x180	23	26
2,40	1760	733	75	2000	1011	1900	873	70	450	2200x150x180	12	13
	2260	942	96	2500	1220	2400	1082	70	450	2700x150x180	17	20
	2760	1150	118	3000	1474	2900	1320	100	450	3200x150x180	23	26

Elegance Without borders

Aspect ratio	Viewing Width	Viewing Height	Diagonal Inches	Overall Width	Overall Height	Packaging Dimensions	Net Weight	Gross Weight
	C	D	N	A	B	mm	kg	kg
1,00 (1:1)	1900	1900	106	2000	2038	2200x150x180	11	12
	2400	2400	134	2500	2554	2700x150x180	14	17
	2900	2900	161	3000	3054	3200x150x180	23	26
1,33 (4:3)	1900	1429	94	2000	1567	2200x150x180	13	16
	2400	1805	118	2500	1943	2700x150x180	17	20
	2900	2180	143	3000	2334	3200x150x180	25	28
	3400	2556	167	3500	2710	3700x150x180	28	33
1,60 (16:9)	1900	1188	88	2000	1326	2200x150x180	12	13
	2400	1500	111	2500	1638	2700x150x180	17	20
	2900	1813	135	3000	1967	3200x150x180	23	26
	3400	2125	158	3500	2279	3700x150x180	26	31
1,78 (16:9)	1900	1067	86	2000	1205	2200x150x180	12	13
	2400	1348	108	2500	1486	2700x150x180	17	20
	2900	1629	131	3000	1783	3200x150x180	23	26
	3400	1910	154	3500	2064	3700x150x180	26	31
2,35 (21:9)	1900	809	81	2000	947	2200x150x180	12	13
	2400	1021	103	2500	1159	2700x150x180	17	20
	2900	1234	124	3000	1388	3200x150x180	23	26
	3400	1447	145	3500	1601	3700x150x180	26	31
2,37	1900	802	81	2000	940	2200x150x180	12	13
	2400	1013	103	2500	1151	2700x150x180	17	20
	2900	1224	124	3000	1378	3200x150x180	23	26
	3400	1435	145	3500	1589	3700x150x180	26	31
2,39	1900	795	81	2000	933	2200x150x180	12	13
	2400	1004	102	2500	1142	2700x150x180	17	20
	2900	1213	124	3000	1367	3200x150x180	23	26
	3400	1423	145	3500	1577	3700x150x180	26	31
2,40	1900	792	81	2000	930	2200x150x180	12	13
	2400	1000	102	2500	1138	2700x150x180	17	20
	2900	1208	124	3000	1362	3200x150x180	23	26
	3400	1417	145	3500	1571	3700x150x180	26	31
2,40	1900	792	81	2000	930	2200x150x180	12	13
	2400	1000	102	2500	1138	2700x150x180	17	20
	2900	1208	124	3000	1362	3200x150x180	23	26
	3400	1417	145	3500	1571	3700x150x180	26	31

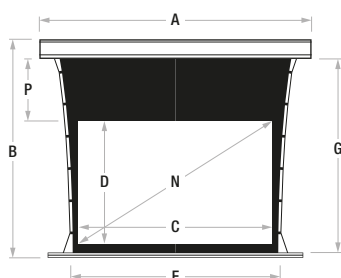
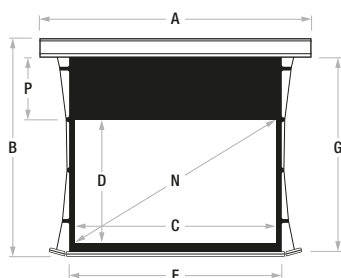
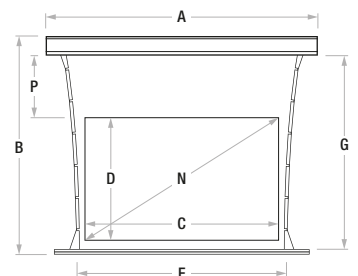
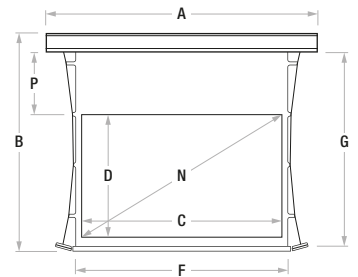
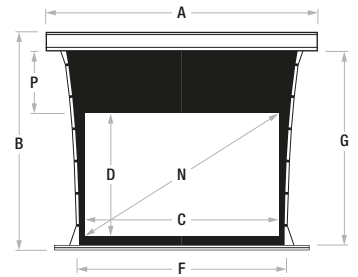
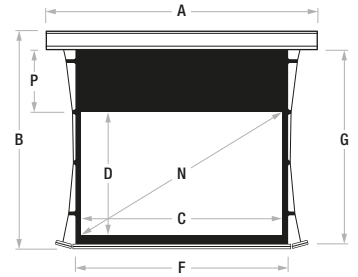
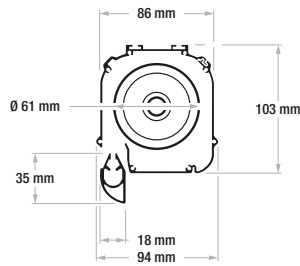
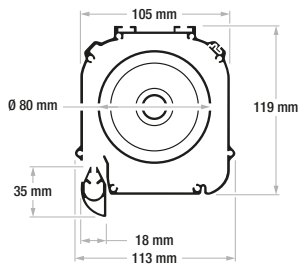


Technical Data



Professional Tensio CTS 5 cm borders/without borders - Tensio Classic 5 cm borders/without borders

Aspect Ratio	Viewing Width	Viewing Height	Diagonal Inches	Overall Width	Overall Height	Surface Width	Surface Height	Standard Drop	Total Maximum Drop	Packaging Dimensions	Net Weight	Gross Weight
	C	D	N	A	B	F	G	P	mm	mm	kg	kg
1,00 (1:1)	2080	2080	116	2500	2318	2180	2180	50	50	2700x150x180	14	17
	2580	2580	144	3000	2884	2680	2730	100	50	3200x150x180	23	26
	3080	2316	152	3500	2620	3180	2466	100	450	3700x150x180	28	33
1,33 (4:3)	2080	1564	102	2500	1802	2180	1664	50	450	2700x150x180	15	18
	2580	1940	127	3000	2244	2680	2090	100	450	3200x150x180	25	28
	3080	2316	152	3500	2620	3180	2466	100	450	3700x150x180	28	33
1,78 (16:9)	2080	1169	94	2500	1407	2180	1269	50	450	2700x150x180	14	17
	2580	1449	117	3000	1753	2680	1599	100	450	3200x150x180	23	26
	3080	1730	139	3500	2034	3180	1880	100	450	3700x150x180	26	31
1,60 (16:10)	2080	1300	97	2500	1538	2180	1400	50	450	2700x150x180	14	17
	2580	1613	120	3000	1917	2680	1763	100	450	3200x150x180	23	26
	3080	1925	143	3500	2229	3180	2075	100	450	3700x150x180	26	31
2,35 (21:9)	2080	885	89	2500	1123	2180	985	50	450	2700x150x180	13	16
	2580	1098	110	3000	1402	2680	1248	100	450	3200x150x180	22	25
	3080	1311	132	3500	1615	3180	1461	100	450	3700x150x180	25	30
2,37	2080	878	89	2500	1116	2180	978	50	450	2700x150x180	14	17
	2580	1089	110	3000	1393	2680	1239	100	450	3200x150x180	23	26
	3080	1300	132	3500	1604	3180	1450	100	450	3700x150x180	26	31
2,40	2080	867	89	2500	1105	2180	967	50	450	2700x150x180	13	16
	2580	1075	110	3000	1379	2680	1225	100	450	3200x150x180	22	25
	3080	1283	131	3500	1587	3180	1433	100	450	3700x150x180	25	30

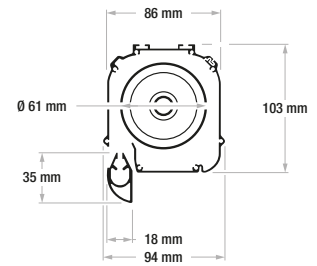
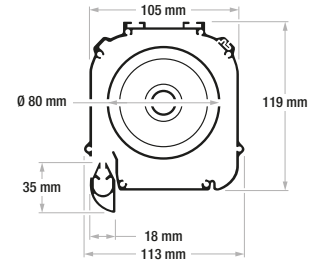
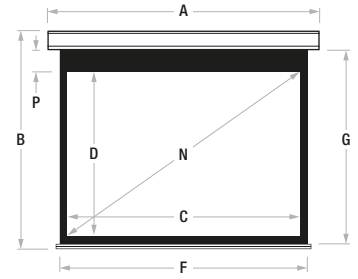


Professional Tensio CTS 7 cm borders - Tensio Classic 7 cm borders

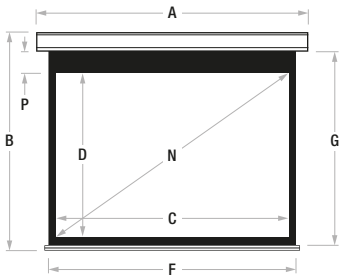
Aspect Ratio	Viewing Width	Viewing Height	Diagonal Inches	Overall Width	Overall Height	Surface Width	Surface Height	Standard Drop	Total Maximum Drop	Packaging Dimensions	Net Weight	Gross Weight
	C	D	N	A	B	F	G	P	mm	mm	kg	kg
1,00 (1:1)	2040	2040	114	2500	2318	2180	2180	70	70	2700x150x180	14	17
	2540	2540	141	3000	2864	2680	2710	100	100	3200x150x180	23	26
	3040	1534	100	2500	1812	2180	1674	70	450	2700x150x180	15	18
1,33 (4:3)	2540	1910	125	3000	2234	2680	2080	100	450	3200x150x180	25	28
	3040	2286	150	3500	2610	3180	2456	100	450	3700x150x180	28	33
	2040	1146	92	2500	1424	2180	1286	70	450	2700x150x180	14	17
1,78 (16:9)	2540	1427	115	3000	1751	2680	1597	100	450	3200x150x180	23	26
	3040	1708	137	3500	2032	3180	1878	100	450	3700x150x180	26	31
	2040	1275	95	2500	1553	2180	1415	70	450	2700x150x180	14	17
1,60 (16:10)	2540	1588	118	3000	1912	2680	1758	100	450	3200x150x180	23	26
	3040	1900	141	3500	2224	3180	2070	100	450	3700x150x180	26	31
	2040	868	87	2500	1146	2180	1008	70	450	2700x150x180	13	16
2,35 (21:9)	2540	1081	109	3000	1405	2680	1251	100	450	3200x150x180	22	25
	3040	1294	130	3500	1618	3180	1464	100	450	3700x150x180	25	30
	2040	861	87	2500	1139	2180	1001	70	450	2700x150x180	14	17
2,37	2540	1072	109	3000	1396	2680	1242	100	450	3200x150x180	23	26
	3040	1283	130	3500	1607	3180	1453	100	450	3700x150x180	26	31
	2040	850	87	2500	1128	2180	990	70	450	2700x150x180	13	16
2,40	2540	1058	108	3000	1382	2680	1228	100	450	3200x150x180	22	25
	3040	1267	130	3500	1591	3180	1437	100	450	3700x150x180	25	30

Professional 5 cm borders

Aspect Ratio	Viewing Width	Viewing Height	Diagonal Inches	Overall Width	Overall Height	Surface Width	Surface Height	Standard Drop	Total Maximum Drop	Packaging Dimensions	Net Weight	Gross Weight
	C	D	N	A	B	F	G	P	mm	mm	kg	kg
1.00 (1:1)	1830	1830	102	2000	2068	1930	1930	50	50	2200x150x180	11	12
	2330	2330	130	2500	2584	2430	2430	50	50	2700x150x180	14	17
	2830	2830	158	3000	3134	2930	2980	100	100	3200x150x180	23	26
1.33 (4:3)	1830	1376	90	2000	1614	1930	1476	50	450	2200x150x180	13	16
	2330	1752	115	2500	1990	2430	1852	50	400	2700x150x180	17	20
	2830	2128	139	3000	2432	2930	2278	100	450	3200x150x180	25	28
1.60 (16:10)	1830	1144	85	2000	1382	1930	1244	50	450	2200x150x180	12	13
	2330	1456	108	2500	1694	2430	1556	50	450	2700x150x180	17	20
	2830	1769	131	3000	2073	2930	1919	100	450	3200x150x180	23	26
1.78 (16:9)	1830	1028	83	2000	1266	1930	1128	50	450	2200x150x180	12	13
	2330	1309	105	2500	1547	2430	1409	50	450	2700x150x180	17	20
	2830	1590	128	3000	1894	2930	1740	100	450	3200x150x180	23	26
2.35 (21:9)	1830	779	78	2000	1017	1930	879	50	450	2200x150x180	12	13
	2330	991	100	2500	1229	2430	1091	50	450	2700x150x180	17	20
	2830	1204	121	3000	1508	2930	1354	100	450	3200x150x180	23	26
2.37	1830	772	78	2000	1010	1930	872	50	450	2200x150x180	12	13
	2330	983	100	2500	1221	2430	1083	50	450	2700x150x180	17	20
	2830	1194	121	3000	1498	2930	1344	100	450	3200x150x180	23	26
2.39	1830	766	78	2000	1004	1930	866	50	450	2200x150x180	12	13
	2330	975	99	2500	1213	2430	1075	50	450	2700x150x180	17	20
	2830	1184	121	3000	1488	2930	1334	100	450	3200x150x180	23	26
2.40	1830	763	78	2000	1001	1930	863	50	450	2200x150x180	12	13
	2330	971	99	2500	1209	2430	1071	50	450	2700x150x180	17	20
	2830	1179	121	3000	1483	2930	1329	100	450	3200x150x180	23	26



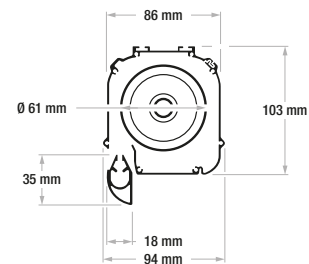
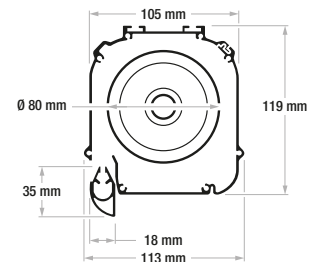
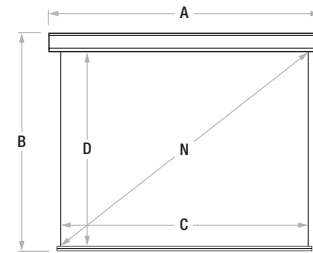
Professional 7 cm borders



Aspect Ratio	Viewing Width	Viewing Height	Diagonal Inches	Overall Width	Overall Height	Surface Width	Surface Height	Standard Drop	Total Maximum Drop	Packaging Dimensions	Net Weight	Gross Weight
	C	D	N	A	B	F	G	P	mm	mm	kg	kg
1.00 (1:1)	1790	1790	100	2000	2068	1930	1930	70	70	2200x150x180	11	12
	2290	2290	128	2500	2584	2430	2430	70	70	2700x150x180	14	17
	2790	2790	155	3000	3114	2930	2960	100	100	3200x150x180	23	26
1.33 (4:3)	1790	1346	88	2000	1624	1930	1486	70	450	2200x150x180	13	16
	2290	1722	113	2500	2000	2430	1862	70	400	2700x150x180	17	20
	2790	2098	137	3000	2422	2930	2268	100	450	3200x150x180	25	28
1.60 (16:10)	1790	1119	83	2000	1397	1930	1259	70	450	2200x150x180	12	13
	2290	1431	106	2500	1709	2430	1571	70	450	2700x150x180	17	20
	2790	1744	130	3000	2068	2930	1914	100	450	3200x150x180	23	26
1.78 (16:9)	1790	1006	81	2000	1284	1930	1146	70	450	2200x150x180	12	13
	2290	1287	103	2500	1565	2430	1427	70	450	2700x150x180	17	20
	2790	1567	126	3000	1891	2930	1737	100	450	3200x150x180	23	26
2.35 (21:9)	1790	762	77	2000	1040	1930	902	70	450	2200x150x180	12	13
	2290	974	98	2500	1252	2430	1114	70	450	2700x150x180	17	20
	2790	1187	119	3000	1511	2930	1357	100	450	3200x150x180	23	26
2.37	1790	755	76	2000	1033	1930	895	70	450	2200x150x180	12	13
	2290	966	98	2500	1244	2430	1106	70	450	2700x150x180	17	20
	2790	1177	119	3000	1501	2930	1347	100	450	3200x150x180	23	26
2.39	1790	749	76	2000	1027	1930	889	70	450	2200x150x180	12	13
	2290	958	98	2500	1236	2430	1098	70	450	2700x150x180	17	20
	2790	1167	119	3000	1491	2930	1337	100	450	3200x150x180	23	26
2.40	1790	746	76	2000	1024	1930	886	70	450	2200x150x180	12	13
	2290	954	98	2500	1232	2430	1094	70	450	2700x150x180	17	20
	2790	1163	119	3000	1487	2930	1333	100	450	3200x150x180	23	26

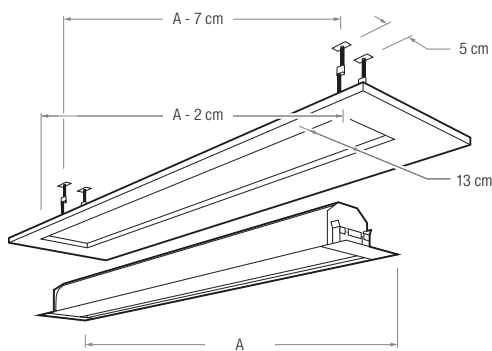
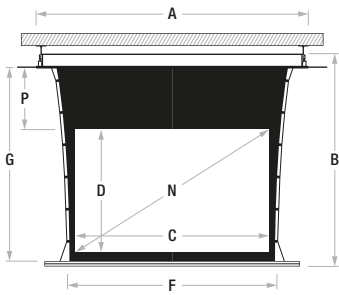
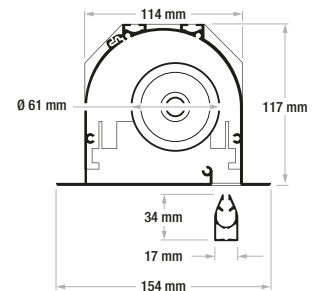
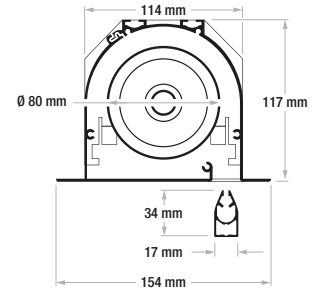
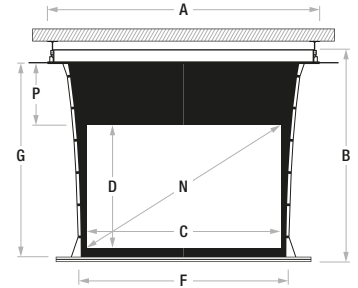
Professional Without borders

Aspect ratio	Viewing Width	Viewing Height	Diagonal Inches	Overall Width	Overall Height	Packaging Dimensions	Net Weight	Gross Weight
	C	D	N	A	B	mm	kg	kg
1,00 (1:1)	1930	1930	107	2000	2068	2200x150x180	11	12
	2430	2430	135	2500	2584	2700x150x180	14	17
	2930	2930	163	3000	3084	3200x150x180	23	26
1,33 (4:3)	1930	1451	95	2000	1589	2200x150x180	13	16
	2430	1827	120	2500	1965	2700x150x180	17	20
	2930	2203	144	3000	2357	3200x150x180	25	28
	3430	2579	169	3500	2733	3700x150x180	28	33
1,60 (16:10)	1930	1206	90	2000	1344	2200x150x180	12	13
	2430	1519	113	2500	1657	2700x150x180	17	20
	2930	1831	136	3000	1985	3200x150x180	23	26
	3430	2144	159	3500	2298	3700x150x180	26	31
1,78 (16:9)	1930	1084	87	2000	1222	2200x150x180	12	13
	2430	1365	110	2500	1503	2700x150x180	17	20
	2930	1646	132	3000	1800	3200x150x180	23	26
	3430	1927	155	3500	2081	3700x150x180	26	31
2,35 (21:9)	1930	821	83	2000	959	2200x150x180	12	13
	2430	1034	104	2500	1172	2700x150x180	17	20
	2930	1247	125	3000	1401	3200x150x180	23	26
	3430	1460	147	3500	1614	3700x150x180	26	31
2,37	1930	814	82	2000	952	2200x150x180	12	13
	2430	1025	104	2500	1163	2700x150x180	17	20
	2930	1236	125	3000	1390	3200x150x180	23	26
	3430	1447	147	3500	1601	3700x150x180	26	31
2,39	1930	808	82	2000	946	2200x150x180	12	13
	2430	1017	104	2500	1155	2700x150x180	17	20
	2930	1226	125	3000	1380	3200x150x180	23	26
	3430	1435	146	3500	1589	3700x150x180	26	31
2,40	1930	804	82	2000	942	2200x150x180	12	13
	2430	1013	104	2500	1151	2700x150x180	17	20
	2930	1221	125	3000	1375	3200x150x180	23	26
	3430	1429	146	3500	1583	3700x150x180	26	31
2,40	1930	1638	168	4000	1792	4200x150x180	29	35



Inceel Tensio Classic 5 cm borders/without borders

Aspect Ratio	Viewing Width	Viewing Height	Diagonal Inches	Overall Width	Overall Height	Surface Width	Surface Height	Standard Drop	Total Maximum Drop	Packaging Dimensions	Net Weight	Gross Weight
	C	D	N	A	B	F	G	P	mm	mm	kg	kg
1,00 (1:1)	1850	1850	103	2370	2101	1950	1950	50	50	2383x200x210	18	23
	2150	2150	120	2670	2451	2250	2300	100	50	2683x200x210	19	24
	2650	2650	148	3170	2951	2750	2800	100	100	3183x200x210	21	26
1,33 (47:3)	1850	1391	91	2370	1642	1950	1491	50	450	2383x200x210	18	23
	2150	1617	106	2670	1918	2250	1767	100	450	2683x200x210	19	24
	2650	1992	131	3170	2293	2750	2142	100	450	3183x200x210	21	26
1,60 (16:10)	1850	1156	86	2370	1407	1950	1256	50	450	2383x200x210	17	22
	2150	1344	100	2670	1595	2250	1444	50	450	2683x200x210	18	23
	2650	1656	123	3170	1907	2750	1756	50	450	3183x200x210	20	25
1,78 (16:9)	1850	1039	84	2370	1290	1950	1139	50	450	2383x200x210	17	22
	2150	1208	97	2670	1459	2250	1308	50	450	2683x200x210	18	23
	2650	1489	120	3170	1740	2750	1589	50	450	3183x200x210	20	25
2,35 (21:9)	1850	787	79	2370	1038	1950	887	50	450	2383x200x210	17	22
	2150	915	92	2670	1166	2250	1015	50	450	2683x200x210	18	23
	2650	1128	113	3170	1379	2750	1228	50	450	3183x200x210	20	25
2,37	1850	1340	135	3670	1641	3250	1490	100	450	3683x200x210	22	27
	3150	1770	142	3670	2071	3250	1920	100	450	3683x200x210	22	27
	3650	1553	156	4170	1854	3750	1703	100	300	4183x200x210	24	29
2,40	1850	771	79	2370	1022	1950	871	50	450	2383x200x210	17	22
	2150	896	92	2670	1147	2250	996	50	450	2683x200x210	18	23
	2650	1104	113	3170	1355	2750	1204	50	450	3183x200x210	20	25
2,40	3150	1313	134	3670	1614	3250	1463	100	450	3683x200x210	22	27
	3650	1521	156	4170	1822	3750	1671	100	300	4183x200x210	24	29



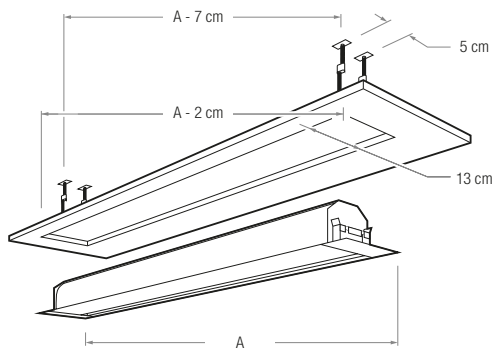
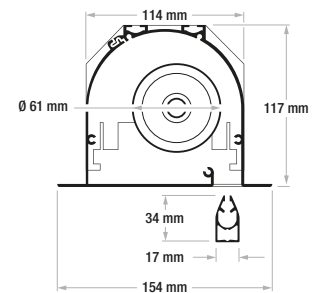
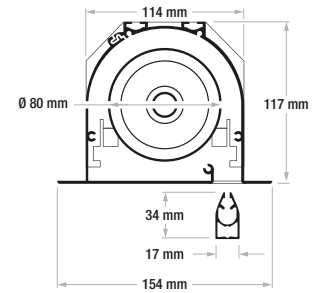
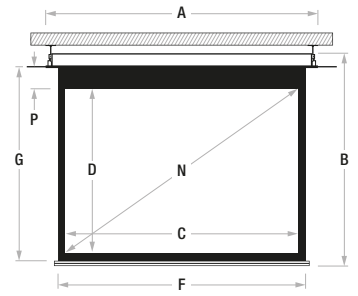
Inceel Tensio Classic 7 cm borders

Aspect Ratio	Viewing Width	Viewing Height	Diagonal Inches	Overall Width	Overall Height	Surface Width	Surface Height	Standard Drop	Total Maximum Drop	Packaging Dimensions	Net Weight	Gross Weight
	C	D	N	A	B	F	G	P	mm	mm	kg	kg
1,00 (1:1)	1810	1810	101	2370	2101	1950	1950	70	70	2383x200x210	18	23
	2110	2110	117	2670	2431	2250	2280	100	100	2683x200x210	19	24
	2610	2610	145	3170	2931	2750	2780	100	100	3183x200x210	21	26
1,33 (4:3)	1810	1361	89	2370	1652	1950	1501	70	450	2383x200x210	18	23
	2110	1586	104	2670	1907	2250	1756	100	450	2683x200x210	19	24
	2610	1962	129	3170	2283	2750	2132	100	450	3183x200x210	21	26
1,60 (16:10)	1810	1017	82	2370	1308	1950	1157	70	450	2383x200x210	17	22
	2110	1185	95	2670	1476	2250	1325	70	450	2683x200x210	18	23
	2610	1466	118	3170	1757	2750	1606	70	450	3183x200x210	20	25
1,78 (16:9)	1810	1017	82	2370	1308	1950	1157	70	450	2383x200x210	17	22
	2110	1185	95	2670	1476	2250	1325	70	450	2683x200x210	18	23
	2610	1466	118	3170	1757	2750	1606	70	450	3183x200x210	20	25
2,35 (21:9)	1810	770	77	2370	1061	1950	910	70	450	2383x200x210	17	22
	2110	898	90	2670	1189	2250	1038	70	450	2683x200x210	18	23
	2610	1111	112	3170	1402	2750	1251	70	450	3183x200x210	20	25
2,37	3110	1323	133	3670	1644	3250	1493	100	450	3683x200x210	22	27
	3610	1536	154	4170	1857	3750	1706	100	300	4183x200x210	24	29
	2,40	1810	764	77	2370	1055	1950	904	70	450	2383x200x210	17
2110		890	90	2670	1181	2250	1030	70	450	2683x200x210	18	23
2610		1101	112	3170	1392	2750	1241	70	450	3183x200x210	20	25
2,40	3110	1312	133	3670	1633	3250	1482	100	450	3683x200x210	22	27
	3610	1523	154	4170	1844	3750	1693	100	300	4183x200x210	24	29
	2,40	1810	754	77	2370	1045	1950	894	70	450	2383x200x210	17
2110		879	90	2670	1170	2250	1019	70	450	2683x200x210	18	23
2610		1088	111	3170	1379	2750	1228	70	450	3183x200x210	20	25
2,40	3110	1296	133	3670	1617	3250	1466	100	450	3683x200x210	22	27
	3610	1504	154	4170	1825	3750	1674	100	300	4183x200x210	24	29

Technical Data

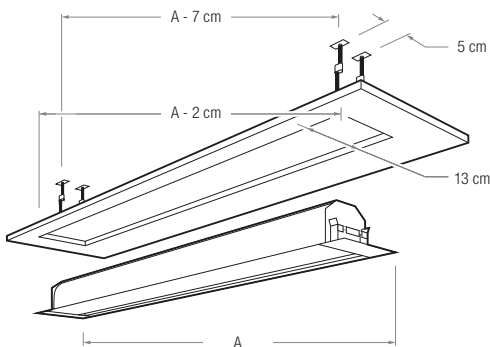
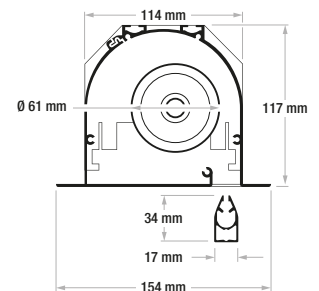
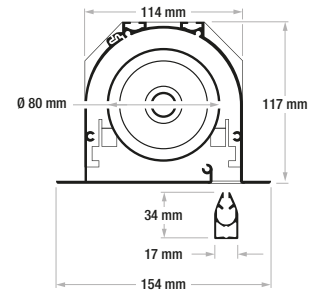
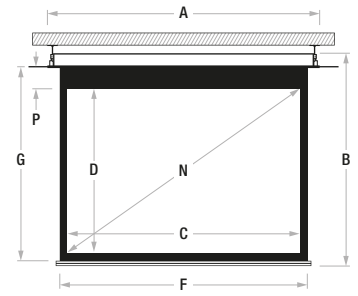
Inceel 5 cm borders

Aspect Ratio	Viewing Width	Viewing Height	Diagonal Inches	Overall Width	Overall Height	Surface Width	Surface Height	Standard Drop	Total Maximum Drop	Packaging Dimensions	Net Weight	Gross Weight
	C	D	N	A	B	F	G	P	mm	mm	kg	kg
1,00 (1:1)	1900	1900	106	2170	2151	2000	2000	50	50	2183x200x210	17	22
	2100	2100	117	2370	2351	2200	2200	50	50	2383x200x210	18	23
	2400	2400	134	2670	2701	2500	2550	100	50	2683x200x210	19	24
	2900	2900	161	3170	3201	3000	3050	100	50	3183x200x210	21	26
1,33 (4:3)	1900	1429	94	2170	1680	2000	1529	50	450	2183x200x210	17	22
	2100	1579	103	2370	1830	2200	1679	50	450	2383x200x210	18	23
	2400	1805	118	2670	2056	2500	1905	50	350	2683x200x210	19	24
	2900	2180	143	3170	2481	3000	2330	100	450	3183x200x210	21	26
1,6 (16:10)	1900	1188	88	2170	1439	2000	1288	50	450	2183x200x210	16	21
	2100	1313	97	2370	1564	2200	1413	50	450	2383x200x210	17	22
	2400	1500	111	2670	1751	2500	1600	50	450	2683x200x210	18	23
	2900	1813	135	3170	2064	3000	1913	50	450	3183x200x210	20	25
1,78 (16:9)	1900	1067	86	2170	1318	2000	1167	50	450	2183x200x210	16	21
	2100	1180	95	2370	1431	2200	1280	50	450	2383x200x210	17	22
	2400	1348	108	2670	1599	2500	1448	50	450	2683x200x210	18	23
	2900	1629	131	3170	1880	3000	1729	50	450	3183x200x210	20	25
2,35 (21:9)	1900	809	81	2170	1060	2000	909	50	450	2183x200x210	16	21
	2100	894	90	2370	1145	2200	994	50	450	2383x200x210	17	22
	2400	1021	103	2670	1272	2500	1121	50	450	2683x200x210	18	23
	2900	1234	124	3170	1485	3000	1334	50	450	3183x200x210	20	25
2,37	1900	1447	145	3670	1748	3500	1597	100	450	3683x200x210	22	27
	3900	1660	167	4170	1961	4000	1810	100	300	4183x200x210	24	29
	1900	802	81	2170	1053	2000	902	50	450	2183x200x210	16	21
	2100	886	90	2370	1137	2200	986	50	450	2383x200x210	17	22
2,4	2400	1013	103	2670	1264	2500	1113	50	450	2683x200x210	18	23
	2900	1224	124	3170	1475	3000	1324	50	450	3183x200x210	20	25
	3400	1435	145	3670	1736	3500	1585	100	450	3683x200x210	22	27
	3900	1646	167	4170	1947	4000	1796	100	300	4183x200x210	24	29
2,4	1900	792	81	2170	1043	2000	892	50	450	2183x200x210	16	21
	2100	875	90	2370	1126	2200	975	50	450	2383x200x210	17	22
	2400	1000	102	2670	1251	2500	1100	50	450	2683x200x210	18	23
	2900	1208	124	3170	1459	3000	1308	50	450	3183x200x210	20	25
2,4	3400	1417	145	3670	1718	3500	1567	100	450	3683x200x210	22	27
	3900	1625	166	4170	1926	4000	1775	100	300	4183x200x210	24	29



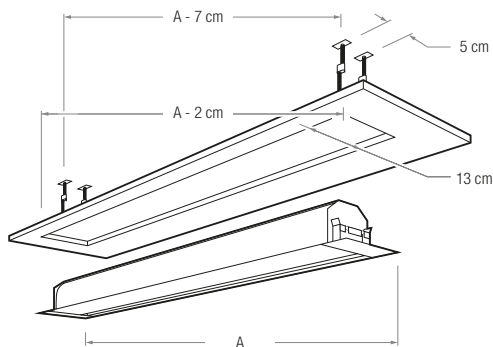
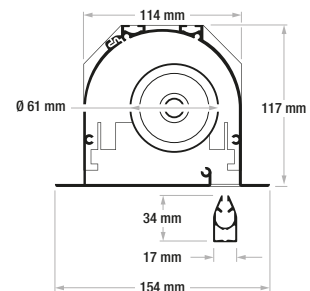
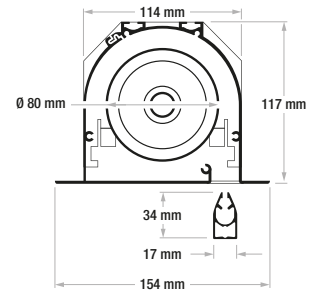
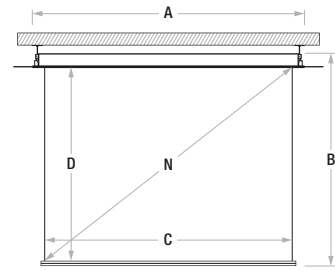
Inceel 7 cm borders

Aspect Ratio	Viewing Width	Viewing Height	Diagonal Inches	Overall Width	Overall Height	Surface Width	Surface Height	Standard Drop	Total Maximum Drop	Packaging Dimensions	Net Weight	Gross Weight
	C	D	N	A	B	F	G	P	mm	mm	kg	kg
1,00 (1:1)	1860	1860	104	2170	2151	1960	2000	70	70	2183x200x210	17	22
	2060	2060	115	2370	2351	2160	2200	70	70	2383x200x210	18	23
	2360	2360	131	2670	2681	2460	2530	100	70	2683x200x210	19	24
	2860	2860	159	3170	3181	2960	3030	100	70	3183x200x210	21	26
1,33 (4:3)	1860	1398	92	2170	1689	1960	1538	70	450	2183x200x210	17	22
	2060	1549	101	2370	1840	2160	1689	70	450	2383x200x210	18	23
	2360	1774	116	2670	2065	2460	1914	70	350	2683x200x210	19	24
	2860	2150	141	3170	2471	2960	2320	100	450	3183x200x210	21	26
1,60 (16:10)	3360	2526	166	3670	2847	3460	2696	100	400	3683x200x210	23	30
	1860	1163	86	2170	1454	1960	1303	70	450	2183x200x210	16	21
	2060	1288	96	2370	1579	2160	1428	70	450	2383x200x210	17	22
	2360	1475	110	2670	1766	2460	1615	70	450	2683x200x210	18	23
1,78 (16:9)	2860	1788	133	3170	2079	2960	1928	70	450	3183x200x210	20	25
	3360	2100	156	3670	2421	3460	2270	100	400	3683x200x210	22	27
	3860	2413	179	4170	2734	3960	2583	100	400	4183x200x210	24	29
	1860	1045	84	2170	1336	1960	1185	70	450	2183x200x210	16	21
2,35 (21:9)	2060	1157	93	2370	1448	2160	1297	70	450	2383x200x210	17	22
	2360	1326	107	2670	1617	2460	1466	70	450	2683x200x210	18	23
	2860	1607	129	3170	1898	2960	1747	70	450	3183x200x210	20	25
	3360	1888	152	3670	2209	3460	2058	100	450	3683x200x210	22	27
2,37	3860	2169	174	4170	2490	3960	2339	100	300	4183x200x210	24	29
	1860	791	80	2170	1082	1960	931	70	450	2183x200x210	16	21
	2060	877	88	2370	1168	2160	1017	70	450	2383x200x210	17	22
	2360	1004	101	2670	1295	2460	1144	70	450	2683x200x210	18	23
2,4	2860	1217	122	3170	1508	2960	1357	70	450	3183x200x210	20	25
	3360	1430	144	3670	1751	3460	1600	100	450	3683x200x210	22	27
	3860	1643	165	4170	1964	3960	1813	100	300	4183x200x210	24	29
	1860	785	79	2170	1076	1960	925	70	450	2183x200x210	16	21
2,37	2060	869	88	2370	1160	2160	1009	70	450	2383x200x210	17	22
	2360	996	101	2670	1287	2460	1136	70	450	2683x200x210	18	23
	2860	1207	122	3170	1498	2960	1347	70	450	3183x200x210	20	25
	3360	1418	144	3670	1739	3460	1588	100	450	3683x200x210	22	27
2,4	3860	1629	165	4170	1950	3960	1799	100	300	4183x200x210	24	29
	1860	775	79	2170	1066	1960	915	70	450	2183x200x210	16	21
	2060	858	88	2370	1149	2160	998	70	450	2383x200x210	17	22
	2360	983	101	2670	1274	2460	1123	70	450	2683x200x210	18	23
2,4	2860	1192	122	3170	1483	2960	1332	70	450	3183x200x210	20	25
	3360	1400	143	3670	1721	3460	1570	100	450	3683x200x210	22	27
	3860	1608	165	4170	1929	3960	1778	100	300	4183x200x210	24	29



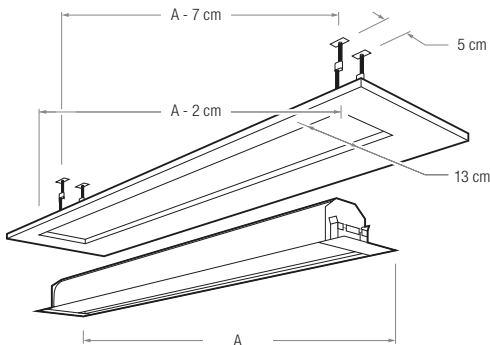
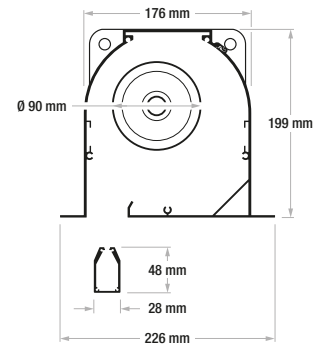
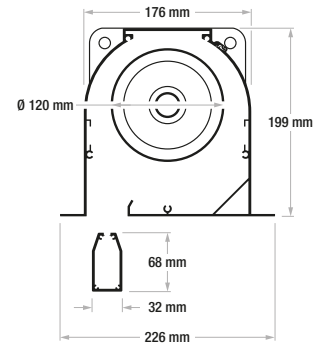
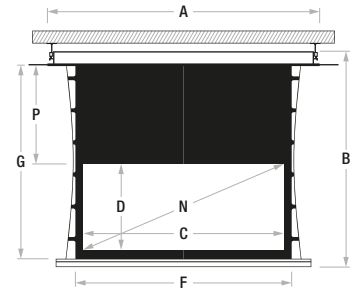
Inceel Without borders

Aspect ratio	Viewing Width	Viewing Height	Diagonal Inches	Overall Width	Overall Height	Packaging Dimensions	Net Weight	Gross Weight
	C	D	N	A	B			
1,00 (1:1)	1800	1800	100	1970	1951	1983x200x210	Available upon request	
	2000	2000	111	2170	2151	2183x200x210		
	2200	2200	122	2370	2351	2383x200x210		
	2500	2500	139	2670	2651	2683x200x210		
	3000	3000	167	3170	3151	3183x200x210		
1,33 (4:3)	2000	1504	99	2170	1655	2183x200x210	17	22
	2200	1654	108	2370	1805	2383x200x210	18	23
	2500	1880	123	2670	2031	2683x200x210	19	24
	3000	2256	148	3170	2407	3183x200x210	21	26
	3500	2632	172	3670	2783	3683x200x210	23	30
1,60 (16:10)	2000	1250	93	2170	1401	2183x200x210	16	21
	2200	1375	102	2370	1526	2383x200x210	17	22
	2500	1563	116	2670	1714	2683x200x210	18	23
	3000	1875	139	3170	2026	3183x200x210	20	25
	3500	2188	162	3670	2339	3683x200x210	22	27
1,78 (16:9)	2000	1124	90	2170	1275	2183x200x210	16	21
	2200	1236	99	2370	1387	2383x200x210	17	22
	2500	1404	113	2670	1555	2683x200x210	18	23
	3000	1685	135	3170	1836	3183x200x210	20	25
	3500	1966	158	3670	2117	3683x200x210	22	27
2,35 (21:9)	2000	851	86	2170	1002	2183x200x210	16	21
	2200	936	94	2370	1087	2383x200x210	17	22
	2500	1064	107	2670	1215	2683x200x210	18	23
	3000	1277	128	3170	1428	3183x200x210	20	25
	3500	1489	150	3670	1640	3683x200x210	22	27
2,37	2000	844	85	2170	995	2183x200x210	16	21
	2200	928	94	2370	1079	2383x200x210	17	22
	2500	1055	107	2670	1206	2683x200x210	18	23
	3000	1266	128	3170	1417	3183x200x210	20	25
	3500	1477	150	3670	1628	3683x200x210	22	27
2,4	2000	833	85	2170	984	2183x200x210	16	21
	2200	917	94	2370	1068	2383x200x210	17	22
	2500	1042	107	2670	1193	2683x200x210	18	23
	3000	1250	128	3170	1401	3183x200x210	20	25
	3500	1458	149	3670	1609	3683x200x210	22	27
4000	1667	171	4170	1818	4183x200x210	24	29	



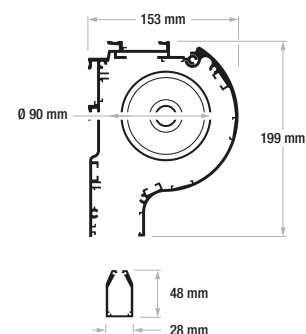
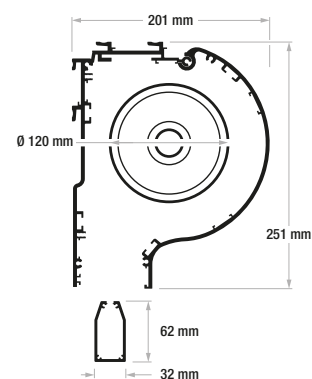
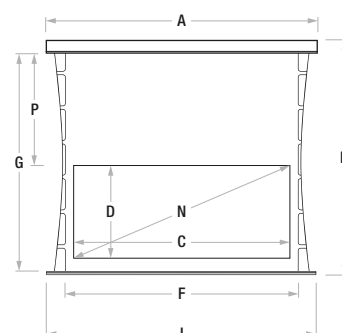
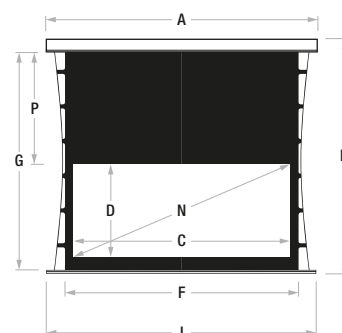
InSuperior Floating Tensio System 5 cm borders

Aspect ratio	Viewing Width	Viewing Height	Diagonal Inches	Overall Width	Overall Height	Surface Width	Surface Height	Standard Drop	Lower Bar Length	Total Maximum Drop	Packaging Dimensions	Net Weight	Gross Weight
	C	D	N	A	B	I	E	P	F	mm	mm	kg	kg
1,33 (4:3)	2000	1504	99	2448	2454	2280	1604	50	2302	1400	2554x340x460	61	71
	2500	1880	123	3008	3003	2830	1980	50	2851	1400	3103x340x460	71	81
	3000	2256	148	3588	3558	3400	2356	50	3406	1400	3658x340x460	79	90
	3500	2632	172	4134	4116	3960	2782	100	3964	1400	4216x340x460	87	99
	4000	3008	197	4716	4687	4540	3158	100	4535	1200	4787x340x460	93	106
	4500	3383	222	5308	5267	5120	3533	100	5115	500	5367x340x460	110	123
1,60 (16:10)	2000	1250	93	2414	2427	2260	1350	50	2275	1400	2527x340x460	61	71
	2500	1563	116	2957	2961	2790	1663	50	2809	1400	3061x340x460	71	81
	3000	1875	139	3515	3499	3330	1975	50	3347	1400	3599x340x460	79	90
	3500	2188	162	4049	4044	2890	2288	100	3892	1400	4144x340x460	87	99
	4000	2500	186	4607	4593	4440	2650	100	4441	1400	4693x340x460	93	106
	4500	2813	209	5127	5149	5000	2963	100	4997	1400	5249x340x460	110	123
1,78 (16:9)	2000	1124	90	2399	2416	2240	1224	50	2264	1400	2516x340x460	61	71
	2500	1404	113	2934	2943	2770	1504	50	2791	1400	3043x340x460	71	81
	3000	1685	135	3483	3473	3310	1785	50	3321	1400	3573x340x460	79	90
	3500	1966	158	4011	4013	3860	2066	100	3861	1400	4113x340x460	87	99
	4000	2247	181	4559	4553	4400	2397	100	4401	1400	4653x340x460	93	106
	4500	2528	203	5113	5098	4950	2678	100	4946	1400	5198x340x460	110	123
2,35 (21:9)	2000	851	86	2369	2394	2220	951	50	2242	1400	2494x340x460	61	71
	2500	1064	107	2892	2910	2740	1164	50	2758	1400	3010x340x460	71	81
	3000	1277	128	3424	3427	3260	1377	50	3275	1400	3527x340x460	79	90
	3500	1489	150	3941	3956	3800	1589	100	3804	1400	4056x340x460	87	99
	4000	1702	171	4471	4480	4330	1852	100	4328	1400	4580x340x460	93	106
	4500	1915	193	5003	5006	4850	2065	100	4854	1400	5106x340x460	110	123
2,37	2000	844	85	2369	2394	2220	944	50	2242	1400	2010x340x460	61	71
	2500	1055	107	2891	2910	2740	1155	50	2758	1400	2510x340x460	71	81
	3000	1266	128	3422	3427	3260	1366	50	3275	1400	3010x340x460	79	90
	3500	1477	150	3939	3956	3800	1577	50	3804	1400	3510x340x460	87	99
	4000	1688	171	4469	4480	4330	1838	100	4328	1400	4010x340x460	93	106
	4500	1899	192	5000	5006	4850	2049	100	4854	1400	4510x340x460	110	123
2,40	2000	833	85	2368	2394	2220	933	50	2242	1400	2010x340x460	61	71
	2500	1042	107	2889	2910	2740	1142	50	2758	1400	2510x340x460	71	81
	3000	1250	128	3420	3427	3260	1350	50	3275	1400	3010x340x460	79	90
	3500	1458	149	3937	3956	3800	1558	50	3804	1400	3510x340x460	87	99
	4000	1667	171	4466	4480	4330	1817	100	4328	1400	4010x340x460	93	106
	4500	1875	192	4997	5006	4850	2025	100	4854	1400	4510x340x460	110	123



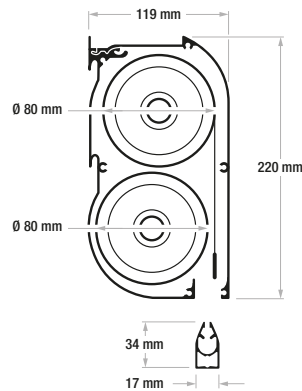
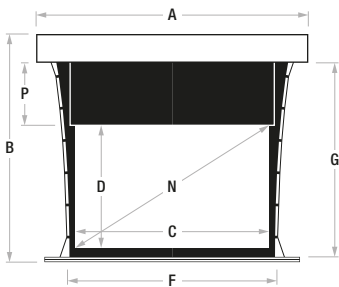
OnSuperior Floating Tensio System 5 cm borders

Aspect Ratio	Viewing Width	Viewing Height	Diagonal Inches	Overall Width	Overall Height	Surface Width	Surface Height	Standard Drop	Lower Bar Length	Total Maximum Drop	Packaging Dimensions	Net Weight	Gross Weight
	A	B	C	D	H	I	E	G	F	mm	mm	kg	kg
1,33 (4:3)	2000	1504	99	2322	1901	2280	1604	50	2302	1400	2440x340x460	61	71
	2500	1880	123	2882	2277	2830	1980	50	2851	1400	2989x340x460	71	81
	3000	2256	148	3463	2653	3400	2356	50	3406	1400	3544x340x460	79	90
	3500	2632	172	4009	3197	3960	2782	100	3962	1350	4100x340x460	87	99
	4000	3008	197	4600	3573	4540	3158	100	4535	1200	4673x340x460	93	106
1,60 (16:10)	2000	1250	93	2292	1647	2260	1350	50	2275	1400	2413x340x460	61	71
	2500	1563	116	2831	1960	2790	1663	50	2809	1400	3485x340x460	71	81
	3000	1875	139	3390	2272	3330	1975	50	3347	1400	3485x340x460	79	90
	3500	2188	162	3924	2653	2890	2288	100	3890	1350	4028x340x460	87	99
	4000	2500	186	4489	3065	4440	2650	100	4441	1350	4579x340x460	93	106
1,78 (16:9)	2000	1124	90	2276	1521	2240	1224	50	2264	1400	2402x340x460	61	71
	2500	1404	113	2808	1801	2770	1504	50	2791	1400	2929x340x460	71	81
	3000	1685	135	3358	2082	3310	1785	50	3321	1400	3459x340x460	79	90
	3500	1966	158	3886	2431	3860	2066	100	3859	1350	3997x340x460	87	99
	4000	2247	181	4400	2812	4400	2397	100	4401	1350	4539x340x460	93	106
4500	2528	203	4995	3093	4950	2678	100	4946	100	5084x340x460	110	123	
2,35 (21:9)	2000	851	86	2246	1248	2220	951	50	2242	1400	2380x340x460	61	71
	2500	1064	107	2766	1461	2740	1164	50	2758	1400	2896x340x460	71	81
	3000	1277	128	3298	1674	3260	1377	50	3275	1400	3413x340x460	79	90
	3500	1489	150	3815	1954	3800	1589	100	3803	1350	3941x340x460	87	99
	4000	1702	171	4350	2267	4330	1852	100	4328	1350	4466x340x460	93	106
4500	1915	193	4883	2480	4850	2065	100	4854	1350	4992x340x460	110	123	
2,37	2000	844	85	2245	1191	2220	944	50	2242	1400	2010x340x460	61	71
	2500	1055	107	2765	1402	2740	1155	50	2758	1400	2510x340x460	71	81
	3000	1266	128	3296	1613	3260	1366	50	3275	1400	3010x340x460	79	90
	3500	1477	150	3814	1892	3800	1577	50	3803	1350	3510x340x460	87	99
	4000	1688	171	4348	2153	4330	1838	100	4328	1350	4010x340x460	93	106
4500	1899	192	4880	2364	4850	2049	100	4854	1350	4510x340x460	110	123	
2,4	2000	833	85	2244	1180	2220	933	50	2242	1400	2010x340x460	61	71
	2500	1042	107	2763	1389	2740	1142	50	2758	1400	2510x340x460	71	81
	3000	1250	128	3294	1597	3260	1350	50	3275	1400	3010x340x460	79	90
	3500	1458	149	3811	1873	3800	1558	50	3803	1350	3510x340x460	87	99
	4000	1667	171	4344	2132	4330	1817	100	4328	1350	4010x340x460	93	106
4500	1875	192	4876	2340	4850	2025	100	4854	1350	4510x340x460	110	123	



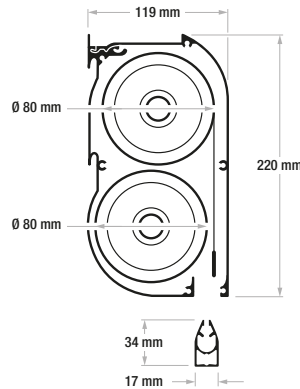
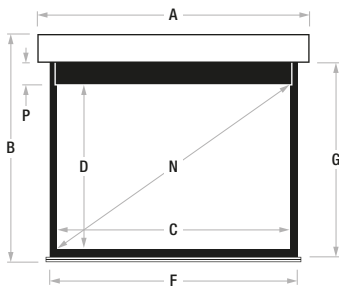
Multiformat Tensio Classic 7 cm borders

Aspect Ratio	Viewing Width		Viewing Height	Diagonal Inches		2° Aspect Ratio		Viewing Height		Diagonal Inches		3° Aspect Ratio		Viewing Height		Diagonal Inches		4° Aspect Ratio		Viewing Height		Diagonal Inches		5° Aspect Ratio		Viewing Height		Diagonal Inches		Overall Width		Overall Height		Surface Width		Surface Height		Standard Drop		Total Maximum Drop		Packaging Dimensions		Net Weight		Gross Weight	
	C	D	N	D	N	D	N	D	N	D	N	D	N	D	N	A	B	F	G	P	mm	mm	kg	kg																							
1,33 (4:3)	1790	1346	88	1,60	1119	83	1,78	1006	81	1,85	968	80	2,35	762	77	2250	1740	1930	1486	70	400	2263x300x330	34	39																							
	2040	1534	100	1,60	1275	95	1,78	1146	92	1,85	1103	91	2,35	868	87	2500	1928	2180	1674	70	400	2513x300x330	40	45																							
	2290	1722	113	1,60	1431	106	1,78	1287	103	1,85	1238	102	2,35	974	98	2750	2116	2430	1862	70	400	2763x300x330	47	52																							
	2540	1910	125	1,60	1588	118	1,78	1427	115	1,85	1373	114	2,35	1081	109	3000	2304	2680	2050	70	400	3013x300x330	55	60																							
	2790	2098	137	1,60	1744	130	1,78	1567	126	1,85	1508	125	2,35	1187	119	3250	2492	2930	2238	70	400	3263x300x330	58	63																							
1,60	1790	1119	83	1,78	1006	81	1,85	968	80	2,35	762	77	2,40	746	76	2250	1513	1930	1259	70	400	2263x300x330	34	39																							
	2040	1275	95	1,78	1146	92	1,85	1103	91	2,35	868	87	2,40	850	87	2500	1669	2180	1415	70	400	2513x300x330	40	45																							
	2290	1431	106	1,78	1287	103	1,85	1238	102	2,35	974	98	2,40	954	98	2750	1825	2430	1571	70	400	2763x300x330	47	52																							
	2540	1588	118	1,78	1427	115	1,85	1373	114	2,35	1081	109	2,40	1058	108	3000	1982	2680	1728	70	400	3013x300x330	55	60																							
	2790	1744	130	1,78	1567	126	1,85	1508	125	2,35	1187	119	2,40	1163	119	3250	2138	2930	1884	70	400	3263x300x330	58	63																							
1,78 (16:9)	1790	1006	81	1,85	968	80	2,35	762	77	2,40	746	76	-	-	-	2250	1400	1930	1146	70	400	2263x300x330	34	39																							
	2040	1146	92	1,85	1103	91	2,35	868	87	2,40	850	87	-	-	-	2500	1540	2180	1286	70	400	2513x300x330	40	45																							
	2290	1287	103	1,85	1238	102	2,35	974	98	2,40	954	98	-	-	-	2750	1681	2430	1427	70	400	2763x300x330	47	52																							
	2540	1427	115	1,85	1373	114	2,35	1081	109	2,40	1058	108	-	-	-	3000	1821	2680	1567	70	400	3013x300x330	55	60																							
	2790	1567	126	1,85	1508	125	2,35	1187	119	2,40	1163	119	-	-	-	3250	1961	2930	1707	70	400	3263x300x330	58	63																							
1,85	1790	968	80	2,35	762	77	2,40	746	76	-	-	-	-	-	-	2250	1362	1930	1108	70	400	2263x300x330	34	39																							
	2040	1103	91	2,35	868	87	2,40	850	87	-	-	-	-	-	-	2500	1497	2180	1243	70	400	2513x300x330	40	45																							
	2290	1238	102	2,35	974	98	2,40	954	98	-	-	-	-	-	-	2750	1632	2430	1378	70	400	2763x300x330	47	52																							
	2540	1373	114	2,35	1081	109	2,40	1058	108	-	-	-	-	-	-	3000	1767	2680	1513	70	400	3013x300x330	55	60																							
	2790	1508	125	2,35	1187	119	2,40	1163	119	-	-	-	-	-	-	3250	1902	2930	1648	70	400	3263x300x330	58	63																							
2,35 (21:9)	1790	755	76	2,40	746	76	-	-	-	-	-	-	-	-	-	2250	1149	1930	895	70	400	2263x300x330	34	39																							
	2040	861	87	2,40	850	87	-	-	-	-	-	-	-	-	-	2500	1255	2180	1001	70	400	2513x300x330	40	45																							
	2290	966	98	2,40	954	98	-	-	-	-	-	-	-	-	-	2750	1360	2430	1106	70	400	2763x300x330	47	52																							
	2540	1072	109	2,40	1058	108	-	-	-	-	-	-	-	-	-	3000	1466	2680	1212	70	400	3013x300x330	55	60																							
	2790	1177	119	2,40	1163	119	-	-	-	-	-	-	-	-	-	3250	1571	2930	1317	70	400	3263x300x330	58	63																							



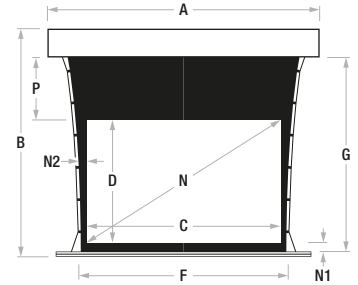
Multiformat 7 cm borders

Aspect Ratio	Viewing Width	Viewing Height	Diagonal Inches	2° Aspect Ratio	Viewing Height	Diagonal Inches	3° Aspect Ratio	Viewing Height	Diagonal Inches	4° Aspect Ratio	Viewing Height	Diagonal Inches	5° Aspect Ratio	Viewing Height	Diagonal Inches	Overall Width	Overall Height	Surface Width	Surface Height	Standard Drop	Total Maximum Drop	Packaging Dimensions	Net Weight	Gross Weight
	C	D	N		D	N		D	N		D	N		A	B									
1,33 (4:3)	2040	1534	100	1,60	1275	95	1,78	1146	92	1,85	1103	91	2,35	868	87	2250	1928	2180	1674	70	400	2263x300x330	34	39
	2290	1722	113	1,60	1431	106	1,78	1287	103	1,85	1238	102	2,35	974	98	2500	2116	2430	1862	70	400	2513x300x330	40	45
	2540	1910	125	1,60	1588	118	1,78	1427	115	1,85	1373	114	2,35	1081	109	2750	2304	2680	2050	70	400	2763x300x330	47	52
	2790	2098	137	1,60	1744	130	1,78	1567	126	1,85	1508	125	2,35	1187	119	3000	2492	2930	2238	70	400	3013x300x330	55	60
	3040	2286	150	1,60	1900	141	1,78	1708	137	1,85	1643	136	2,35	1294	130	3250	2680	3180	2426	70	400	3263x300x330	58	63
1,60	2040	1275	95	1,78	1146	92	1,85	1103	91	2,35	868	87	2,40	850	87	2250	1669	2180	1415	70	400	2263x300x330	34	39
	2290	1431	106	1,78	1287	103	1,85	1238	102	2,35	974	98	2,40	954	98	2500	1825	2430	1571	70	400	2513x300x330	40	45
	2540	1588	118	1,78	1427	115	1,85	1373	114	2,35	1081	109	2,40	1058	108	2750	1982	2680	1728	70	400	2763x300x330	47	52
	2790	1744	130	1,78	1567	126	1,85	1508	125	2,35	1187	119	2,40	1163	119	3000	2138	2930	1884	70	400	3013x300x330	55	60
	3040	1900	141	1,78	1708	137	1,85	1643	136	2,35	1294	130	2,40	1267	130	3250	2294	3180	2040	70	400	3263x300x330	58	63
1,78 (16:9)	2040	1146	92	1,85	1103	91	2,35	868	87	2,40	850	87	-	-	-	2250	1540	2180	1286	70	400	2263x300x330	34	39
	2290	1287	103	1,85	1238	102	2,35	974	98	2,40	954	98	-	-	-	2500	1681	2430	1427	70	400	2513x300x330	40	45
	2540	1427	115	1,85	1373	114	2,35	1081	109	2,40	1058	108	-	-	-	2750	1821	2680	1567	70	400	2763x300x330	47	52
	2790	1567	126	1,85	1508	125	2,35	1187	119	2,40	1163	119	-	-	-	3000	1961	2930	1707	70	400	3013x300x330	55	60
	3040	1708	137	1,85	1643	136	2,35	1294	130	2,40	1267	130	-	-	-	3250	2102	3180	1848	70	400	3263x300x330	58	63
1,85	2040	1103	91	2,35	868	87	2,40	850	87	-	-	-	-	-	-	2250	1497	2180	1243	70	400	2263x300x330	34	39
	2290	1238	102	2,35	974	98	2,40	954	98	-	-	-	-	-	-	2500	1632	2430	1378	70	400	2513x300x330	40	45
	2540	1373	114	2,35	1081	109	2,40	1058	108	-	-	-	-	-	-	2750	1767	2680	1513	70	400	2763x300x330	47	52
	2790	1508	125	2,35	1187	119	2,40	1163	119	-	-	-	-	-	-	3000	1902	2930	1648	70	400	3013x300x330	55	60
	3040	1643	136	2,35	1294	130	2,40	1267	130	-	-	-	-	-	-	3250	2037	3180	1783	70	400	3263x300x330	58	63
2,35 (21:9)	2040	861	87	2,40	850	87	-	-	-	-	-	-	-	-	-	2250	1255	2180	1001	70	400	2263x300x330	34	39
	2290	966	98	2,40	954	98	-	-	-	-	-	-	-	-	-	2500	1360	2430	1106	70	400	2513x300x330	40	45
	2540	1072	109	2,40	1058	108	-	-	-	-	-	-	-	-	-	2750	1466	2680	1212	70	400	2763x300x330	47	52
	2790	1177	119	2,40	1163	119	-	-	-	-	-	-	-	-	-	3000	1571	2930	1317	70	400	3013x300x330	55	60
	3040	1283	130	2,40	1267	130	-	-	-	-	-	-	-	-	-	3250	1677	3180	1423	70	400	3263x300x330	58	63

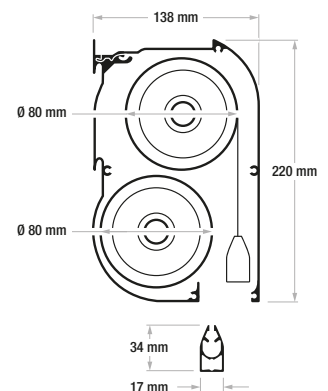


Biformat Tensio Classic 5 cm borders

	Max Viewing Width	Max Viewing Height	Max Overall Width	Max Overall Height	Max Surface Width	Max Surface Height	Standard Drop	Total Maximum Drop	Packaging Dimensions	Net Weight	Gross Weight
	C	D	A	B	F	G	P	mm	mm	kg	kg
Biformat	1830	1830	2250	2234	1930	1980	100	400	1838x300x330	34	39
	2080	2080	2500	2484	2180	2230	100	400	2088x300x330	40	45
	2330	2330	2750	2734	2430	2480	100	400	2338x300x330	47	52
	2580	2580	3000	2984	2680	2730	100	400	2588x300x330	55	60
	2830	2830	3250	3234	2930	2980	100	400	2838x300x330	58	63
	3080	3080	3500	3484	3180	3230	100	400	3088x300x330	60	65

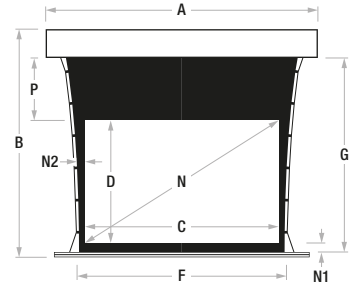


Configuration Examples	Native Format	Ratio	Net Surface Width	Net Surface Height	Diagonal Inches	Standard Drop	Bottom Black Border	Lateral Black Border	2° Format	Ratio	Net Surface Width	Net Surface Height	Diagonal Inches	Standard Drop	Bottom Black Border	Lateral Black Border
			C	D	N	P	N1	N2			C	D	N	P	N1	N2
2250	4:3	1,33	1830	1376	90	100	50	50	16:9	1,78	1830	1028	83	272	50	50
	4:3	1,33	1830	1376	90	100	50	50	21:9	2,35	1830	779	78	397	50	50
	16:9	1,78	1830	1028	83	100	50	50	21:9	2,35	1830	779	78	225	50	50
	16:9	1,78	1830	1028	83	100	50	50	4:3	1,33	1367	1028	67	100	50	280
	21:9	2,35	1830	779	78	100	50	50	16:9	1,78	1386	779	63	100	50	272
	21:9	2,35	1830	779	78	100	50	50	4:3	1,33	1036	779	51	100	50	446
2500	4:3	1,33	2080	1564	102	100	50	50	16:9	1,78	2080	1169	94	296	50	50
	4:3	1,33	2080	1564	102	100	50	50	21:9	2,35	2080	885	89	438	50	50
	16:9	1,78	2080	1169	94	100	50	50	21:9	2,35	2080	885	89	242	50	50
	16:9	1,78	2080	1169	94	100	50	50	4:3	1,33	1554	1169	77	100	50	311
	21:9	2,35	2080	885	89	100	50	50	16:9	1,78	1575	885	71	100	50	302
	21:9	2,35	2080	885	89	100	50	50	4:3	1,33	1177	885	58	100	50	500
2750	4:3	1,33	2330	1752	115	100	50	50	16:9	1,78	2330	1309	105	319	50	50
	4:3	1,33	2330	1752	115	100	50	50	21:9	2,35	2330	991	100	478	50	50
	16:9	1,78	2330	1309	105	100	50	50	21:9	2,35	2330	991	100	259	50	50
	16:9	1,78	2330	1309	105	100	50	50	4:3	1,33	1741	1309	86	100	50	343
	21:9	2,35	2330	991	100	100	50	50	16:9	1,78	1765	991	80	100	50	333
	21:9	2,35	2330	991	100	100	50	50	4:3	1,33	1319	991	65	100	50	554
3000	4:3	1,33	2580	1940	127	100	50	50	16:9	1,78	2580	1449	117	343	50	50
	4:3	1,33	2580	1940	127	100	50	50	21:9	2,35	2580	1098	110	519	50	50
	16:9	1,78	2580	1449	117	100	50	50	21:9	2,35	2580	1098	110	276	50	50
	16:9	1,78	2580	1449	117	100	50	50	4:3	1,33	1928	1449	95	100	50	374
	21:9	2,35	2580	1098	110	100	50	50	16:9	1,78	1954	1098	88	100	50	363
	21:9	2,35	2580	1098	110	100	50	50	4:3	1,33	1460	1098	72	100	50	610
3250	4:3	1,33	2830	2128	139	100	50	50	16:9	1,78	2830	1590	128	367	50	50
	4:3	1,33	2830	2128	139	100	50	50	21:9	2,35	2830	1204	121	559	50	50
	16:9	1,78	2830	1590	128	100	50	50	21:9	2,35	2830	1204	121	293	50	50
	16:9	1,78	2830	1590	128	100	50	50	4:3	1,33	2115	1590	104	100	50	405
	21:9	2,35	2830	1204	121	100	50	50	16:9	1,78	2144	1204	97	100	50	393
	21:9	2,35	2830	1204	121	100	50	50	4:3	1,33	1602	1204	79	100	50	662
3500	4:3	1,33	3080	2316	152	100	50	50	16:9	1,78	3080	1730	139	390	50	50
	4:3	1,33	3080	2316	152	100	50	50	21:9	2,35	3080	1311	132	600	50	50
	16:9	1,78	3080	1730	139	100	50	50	21:9	2,35	3080	1311	132	310	50	50
	16:9	1,78	3080	1730	139	100	50	50	4:3	1,33	2301	1730	114	100	50	437
	21:9	2,35	3080	1311	132	100	50	50	16:9	1,78	2333	1311	105	100	50	424
	21:9	2,35	3080	1311	132	100	50	50	4:3	1,33	1743	1311	86	100	50	716

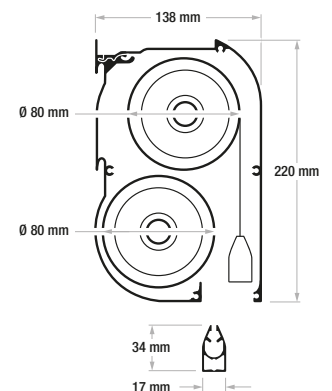


Biformat Tensio Classic 7 cm borders

	Max Viewing Width	mAX Viewing Height	Max Overall Width	Max Overall Height	Max Surface Width	Max Surface Height	Standard Drop	Total Maximum Drop	Packaging Dimensions	Net Weight	Gross Weight
	C	D	A	B	F	G	P	mm	mm	kg	kg
Biformat	1790	1790	2250	2214	1890	1960	100	400	1798x300x330	34	39
	2040	2040	2500	2464	2140	2210	100	400	2048x300x330	40	45
	2290	2290	2750	2714	2390	2460	100	400	2298x300x330	47	52
	2540	2540	3000	2964	2640	2710	100	400	2548x300x330	55	60
	2790	2790	3250	3214	2890	2960	100	400	2798x300x330	58	63
	3040	3040	3500	3464	3140	3210	100	400	3048x300x330	60	65

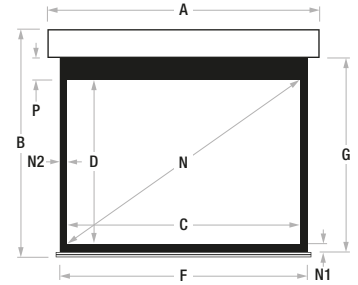


Configuration Examples	Native Format	Ratio	Net Surface Width		Diagonal Inches	Standard Drop	Bottom Black Border		Lateral Black Border		2° Format	Ratio	Net Surface Width		Diagonal Inches	Standard Drop	Bottom Black Border		Lateral Black Border	
			C	D			N1	N2	C	D			N	P			N1	N2		
			C	D			N	P	N1	N2			C	D			N	P	N1	N2
2250	4:3	1,33	1790	1346	88	100	70	70	16:9	1,78	1790	1006	81	269	70	70	70	70	70	
	4:3	1,33	1790	1346	88	100	70	70	21:9	2,35	1790	762	77	391	70	70	70	70	70	
	16:9	1,78	1790	1006	81	100	70	70	21:9	2,35	1790	762	77	222	70	70	70	70	70	
	16:9	1,78	1790	1006	81	100	70	70	4:3	1,33	1337	1006	66	100	70	295	70	70	70	
	21:9	2,35	1790	762	77	100	70	70	16:9	1,78	1356	762	61	100	70	287	70	70	70	
	21:9	2,35	1790	762	77	100	70	70	4:3	1,33	1013	762	50	100	70	457	70	70	70	
2500	4:3	1,33	2040	1534	100	100	70	70	16:9	1,78	2040	1146	92	292	70	70	70	70	70	
	4:3	1,33	2040	1534	100	100	70	70	21:9	2,35	2040	868	87	431	70	70	70	70	70	
	16:9	1,78	2040	1146	92	100	70	70	21:9	2,35	2040	868	87	239	70	70	70	70	70	
	16:9	1,78	2040	1146	92	100	70	70	4:3	1,33	1524	1146	75	100	70	326	70	70	70	
	21:9	2,35	2040	868	87	100	70	70	16:9	1,78	1545	868	70	100	70	317	70	70	70	
	21:9	2,35	2040	868	87	100	70	70	4:3	1,33	1155	868	57	100	70	511	70	70	70	
2750	4:3	1,33	2290	1722	113	100	70	70	16:9	1,78	2290	1287	103	316	70	70	70	70	70	
	4:3	1,33	2290	1722	113	100	70	70	21:9	2,35	2290	974	98	472	70	70	70	70	70	
	16:9	1,78	2290	1287	103	100	70	70	21:9	2,35	2290	974	98	256	70	70	70	70	70	
	16:9	1,78	2290	1287	103	100	70	70	4:3	1,33	1711	1287	84	100	70	358	70	70	70	
	21:9	2,35	2290	974	98	100	70	70	16:9	1,78	1735	974	78	100	70	348	70	70	70	
	21:9	2,35	2290	974	98	100	70	70	4:3	1,33	1296	974	64	100	70	566	70	70	70	
3000	4:3	1,33	2540	1910	125	100	70	70	16:9	1,78	2540	1427	115	339	70	70	70	70	70	
	4:3	1,33	2540	1910	125	100	70	70	21:9	2,35	2540	1081	109	512	70	70	70	70	70	
	16:9	1,78	2540	1427	115	100	70	70	21:9	2,35	2540	1081	109	273	70	70	70	70	70	
	16:9	1,78	2540	1427	115	100	70	70	4:3	1,33	1898	1427	94	100	70	389	70	70	70	
	21:9	2,35	2540	1081	109	100	70	70	16:9	1,78	1924	1081	87	100	70	378	70	70	70	
	21:9	2,35	2540	1081	109	100	70	70	4:3	1,33	1438	1081	71	100	70	620	70	70	70	
3250	4:3	1,33	2790	2098	137	100	70	70	16:9	1,78	2790	1567	126	363	70	70	70	70	70	
	4:3	1,33	2790	2098	137	100	70	70	21:9	2,35	2790	1187	119	553	70	70	70	70	70	
	16:9	1,78	2790	1567	126	100	70	70	21:9	2,35	2790	1187	119	290	70	70	70	70	70	
	16:9	1,78	2790	1567	126	100	70	70	4:3	1,33	2085	1567	103	100	70	420	70	70	70	
	21:9	2,35	2790	1187	119	100	70	70	16:9	1,78	2113	1187	95	100	70	408	70	70	70	
	21:9	2,35	2790	1187	119	100	70	70	4:3	1,33	1579	1187	78	100	70	674	70	70	70	
3500	4:3	1,33	3040	2286	150	100	70	70	16:9	1,78	3040	1708	137	386	70	70	70	70	70	
	4:3	1,33	3040	2286	150	100	70	70	21:9	2,35	3040	1294	130	593	70	70	70	70	70	
	16:9	1,78	3040	1708	137	100	70	70	21:9	2,35	3040	1294	130	307	70	70	70	70	70	
	16:9	1,78	3040	1708	137	100	70	70	4:3	1,33	2271	1708	112	100	70	452	70	70	70	
	21:9	2,35	3040	1294	130	100	70	70	16:9	1,78	2303	1294	104	100	70	439	70	70	70	
	21:9	2,35	3040	1294	130	100	70	70	4:3	1,33	1721	1294	85	100	70	728	70	70	70	

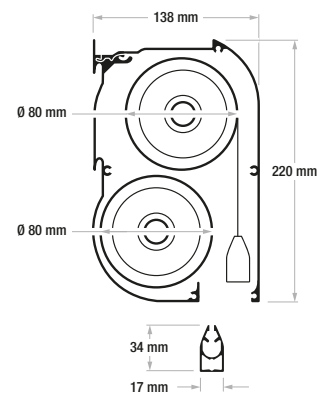


Biformat 5 cm borders

	Max Viewing Width	Max Viewing Height	Max Overall Width	Max Overall Height	Max Surface Width	Max Surface Height	Standard Drop	Total Maximum Drop	Packaging Dimensions	Net Weight	Gross Weight
	C	D	A	B	F	G	P	mm	mm	kg	kg
Biformat	2080	2080	2250	2484	2090	2230	100	400	2258x300x330	34	39
	2330	2330	2500	2734	2340	2480	100	400	2508x300x330	40	45
	2580	2580	2750	2984	2590	2730	100	400	2758x300x330	47	52
	2830	2830	3000	3234	2840	2980	100	400	3008x300x330	55	60
	3080	3080	3250	3484	3090	3230	100	400	3258x300x330	58	63
	3330	3330	3500	3734	3340	3480	100	400	3508x300x330	60	65

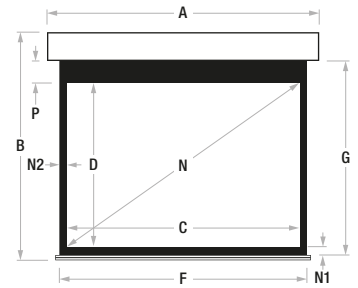


Configuration Examples Overall Width	Native Format	Ratio	Net Surface Width	Net Surface Height	Diagonal Inches	Standard Drop	Bottom Black Border	Lateral Black Border	2° Format	Ratio	Net Surface Width	Net Surface Height	Diagonal Inches	Standard Drop	Bottom Black Border	Lateral Black Border
			C	D	N	P	N1	N2			C	D	N	P	N1	N2
2250	4:3	1,33	2080	1564	102	100	50	50	16:9	1,78	2080	1169	94	296	50	50
	4:3	1,33	2080	1564	102	100	50	50	21:9	2,35	2080	885	89	438	50	50
	16:9	1,78	2080	1169	94	100	50	50	21:9	2,35	2080	885	89	242	50	50
	16:9	1,78	2080	1169	94	100	50	50	4:3	1,33	1558	1169	77	100	50	311
	21:9	2,35	2080	885	89	100	50	50	16:9	1,78	1575	885	71	100	50	302
	21:9	2,35	2080	885	89	100	50	50	4:3	1,33	1180	885	58	100	50	500
2500	4:3	1,33	2330	1752	115	100	50	50	16:9	1,78	2330	1309	105	319	50	50
	4:3	1,33	2330	1752	115	100	50	50	21:9	2,35	2330	991	100	478	50	50
	16:9	1,78	2330	1309	105	100	50	50	21:9	2,35	2330	991	100	259	50	50
	16:9	1,78	2330	1309	105	100	50	50	4:3	1,33	1745	1309	86	100	50	343
	21:9	2,35	2330	991	100	100	50	50	16:9	1,78	1765	991	80	100	50	333
	21:9	2,35	2330	991	100	100	50	50	4:3	1,33	1322	991	65	100	50	554
2750	4:3	1,33	2580	1940	127	100	50	50	16:9	1,78	2580	1449	117	343	50	50
	4:3	1,33	2580	1940	127	100	50	50	21:9	2,35	2580	1098	110	519	50	50
	16:9	1,78	2580	1449	117	100	50	50	21:9	2,35	2580	1098	110	276	50	50
	16:9	1,78	2580	1449	117	100	50	50	4:3	1,33	1932	1449	95	100	50	374
	21:9	2,35	2580	1098	110	100	50	50	16:9	1,78	1954	1098	88	100	50	363
	21:9	2,35	2580	1098	110	100	50	50	4:3	1,33	1463	1098	72	100	50	608
3000	4:3	1,33	2830	2128	139	100	50	50	16:9	1,78	2830	1590	128	367	50	50
	4:3	1,33	2830	2128	139	100	50	50	21:9	2,35	2830	1204	121	559	50	50
	16:9	1,78	2830	1590	128	100	50	50	21:9	2,35	2830	1204	121	293	50	50
	16:9	1,78	2830	1590	128	100	50	50	4:3	1,33	2119	1590	104	100	50	405
	21:9	2,35	2830	1204	121	100	50	50	16:9	1,78	2144	1204	97	100	50	393
	21:9	2,35	2830	1204	121	100	50	50	4:3	1,33	1605	1204	79	100	50	662
3250	4:3	1,33	3080	2316	152	100	50	50	16:9	1,78	3080	1730	139	390	50	50
	4:3	1,33	3080	2316	152	100	50	50	21:9	2,35	3080	1311	132	600	50	50
	16:9	1,78	3080	1730	139	100	50	50	21:9	2,35	3080	1311	132	310	50	50
	16:9	1,78	3080	1730	139	100	50	50	4:3	1,33	2307	1730	114	100	50	437
	21:9	2,35	3080	1311	132	100	50	50	16:9	1,78	2333	1311	105	100	50	424
	21:9	2,35	3080	1311	132	100	50	50	4:3	1,33	1747	1311	86	100	50	716
3500	4:3	1,33	3330	2504	164	100	50	50	16:9	1,78	3330	1871	150	414	50	50
	4:3	1,33	3330	2504	164	100	50	50	21:9	2,35	3330	1417	142	641	50	50
	16:9	1,78	3330	1871	150	100	50	50	21:9	2,35	3330	1417	142	327	50	50
	16:9	1,78	3330	1871	150	100	50	50	4:3	1,33	2494	1871	123	100	50	468
	21:9	2,35	3330	1417	142	100	50	50	16:9	1,78	2522	1417	114	100	50	454
	21:9	2,35	3330	1417	142	100	50	50	4:3	1,33	1889	1417	93	100	50	771

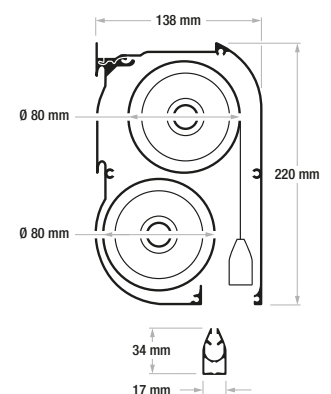


Biformat 7 cm borders

	Max Viewing Width	Max Viewing Height	Max Overall Width	Max Overall Height	Max Surface Width	Max Surface Height	Standard Drop	Total Maximum Drop	Packaging Dimensions	Net Weight	Gross Weight
	C	D	A	B	F	G	P	mm	mm	kg	kg
Biformat	2040	2040	2250	2464	2050	2210	100	400	2258x300x330	34	39
	2290	2290	2500	2714	2300	2460	100	400	2508x300x330	40	45
	2540	2540	2750	2964	2550	2710	100	400	2758x300x330	47	52
	2790	2790	3000	3214	2800	2960	100	400	3008x300x330	55	60
	3040	3040	3250	3464	3050	3210	100	400	3258x300x330	58	63
	3290	3290	3500	3714	3300	3460	100	400	3508x300x330	60	65

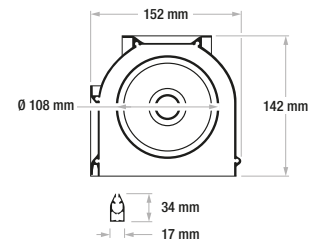
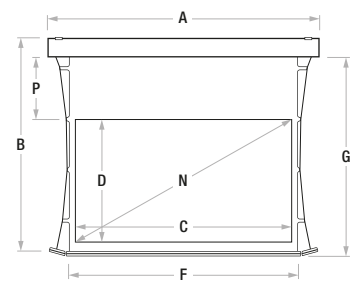
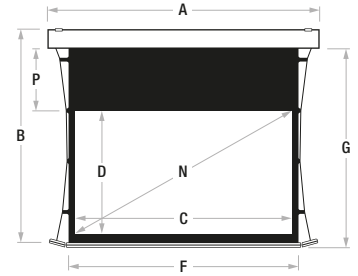


Configuration Examples Overall Width	Native Format	Ratio	Net Surface Width	Net Surface Height	Diagonal Inches	Standard Drop	Bottom Black Border	Lateral Black Border	2° Format	Ratio	Net Surface Width	Net Surface Height	Diagonal Inches	Standard Drop	Bottom Black Border	Lateral Black Border
			C	D							N	P				
2250	4:3	1,33	2040	1534	100	100	70	70	16:9	1,78	2040	1146	92	292	70	70
	4:3	1,33	2040	1534	100	100	70	70	21:9	2,35	2040	868	87	431	70	70
	16:9	1,78	2040	1146	92	100	70	70	21:9	2,35	2040	868	87	239	70	70
	16:9	1,78	2040	1146	92	100	70	70	4:3	1,33	1528	1146	75	100	70	326
	21:9	2,35	2040	868	87	100	70	70	16:9	1,78	1545	868	70	100	70	317
21:9	2,35	2040	868	87	100	70	70	4:3	1,33	1157	868	57	100	70	511	
2500	4:3	1,33	2290	1722	113	100	70	70	16:9	1,78	2290	1287	103	316	70	70
	4:3	1,33	2290	1722	113	100	70	70	21:9	2,35	2290	974	98	472	70	70
	16:9	1,78	2290	1287	103	100	70	70	21:9	2,35	2290	974	98	256	70	70
	16:9	1,78	2290	1287	103	100	70	70	4:3	1,33	1715	1287	84	100	70	358
	21:9	2,35	2290	974	98	100	70	70	16:9	1,78	1735	974	78	100	70	348
21:9	2,35	2290	974	98	100	70	70	4:3	1,33	1299	974	64	100	70	566	
2750	4:3	1,33	2540	1910	125	100	70	70	16:9	1,78	2540	1427	115	339	70	70
	4:3	1,33	2540	1910	125	100	70	70	21:9	2,35	2540	1081	109	512	70	70
	16:9	1,78	2540	1427	115	100	70	70	21:9	2,35	2540	1081	109	273	70	70
	16:9	1,78	2540	1427	115	100	70	70	4:3	1,33	1902	1427	94	100	70	389
	21:9	2,35	2540	1081	109	100	70	70	16:9	1,78	1924	1081	87	100	70	378
21:9	2,35	2540	1081	109	100	70	70	4:3	1,33	1441	1081	71	100	70	620	
3000	4:3	1,33	2790	2098	137	100	70	70	16:9	1,78	2790	1567	126	363	70	70
	4:3	1,33	2790	2098	137	100	70	70	21:9	2,35	2790	1187	119	553	70	70
	16:9	1,78	2790	1567	126	100	70	70	21:9	2,35	2790	1187	119	290	70	70
	16:9	1,78	2790	1567	126	100	70	70	4:3	1,33	2089	1567	103	100	70	420
	21:9	2,35	2790	1187	119	100	70	70	16:9	1,78	2113	1187	95	100	70	408
21:9	2,35	2790	1187	119	100	70	70	4:3	1,33	1583	1187	78	100	70	674	
3250	4:3	1,33	3040	2286	150	100	70	70	16:9	1,78	3040	1708	137	386	70	70
	4:3	1,33	3040	2286	150	100	70	70	21:9	2,35	3040	1294	130	593	70	70
	16:9	1,78	3040	1708	137	100	70	70	21:9	2,35	3040	1294	130	307	70	70
	16:9	1,78	3040	1708	137	100	70	70	4:3	1,33	2277	1708	112	100	70	452
	21:9	2,35	3040	1294	130	100	70	70	16:9	1,78	2303	1294	104	100	70	439
21:9	2,35	3040	1294	130	100	70	70	4:3	1,33	1724	1294	85	100	70	728	
3500	4:3	1,33	3290	2474	162	100	70	70	16:9	1,78	3290	1848	149	410	70	70
	4:3	1,33	3290	2474	162	100	70	70	21:9	2,35	3290	1400	141	634	70	70
	16:9	1,78	3290	1848	149	100	70	70	21:9	2,35	3290	1400	141	324	70	70
	16:9	1,78	3290	1848	149	100	70	70	4:3	1,33	2464	1848	121	100	70	483
	21:9	2,35	3290	1400	141	100	70	70	16:9	1,78	2492	1400	113	100	70	469
21:9	2,35	3290	1400	141	100	70	70	4:3	1,33	1866	1400	92	100	70	782	



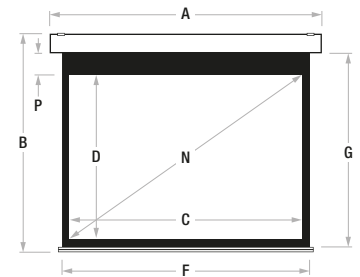
Alumid Tensio CTS 5 cm borders/without borders

Aspect ratio	Viewing Width	Viewing Height	Diagonal Inches	Overall Width	Overall Height	Surface Width	Surface Height	Standard Drop	Total Maximum Drop	Packaging Dimensions	Net Weight	Gross Weight
	C	D	N	A	B	F	G	P	mm	mm	kg	kg
1,33 (4:3)	3630	2729	179	4060	3055	3730	2879	100	200	4250x200x210	36	42
	4130	3105	203	4560	3431	4230	3255	100	200	4750x200x210	41	45
1,60 (16:10)	3630	2269	169	4060	2595	3730	2419	100	200	4250x200x210	35	41
	4130	2581	192	4560	2907	4230	2731	100	200	4750x200x210	40	46
1,78 (16:9)	3630	2039	164	4060	2365	3730	2189	100	450	4250x200x210	35	41
	4130	2320	187	4560	2646	4230	2470	100	450	4750x200x210	40	46
2,35 (21:9)	3630	1545	155	4060	1871	3730	1695	100	450	4250x200x210	35	41
	4130	1757	177	4560	2083	4230	1907	100	450	4750x200x210	40	46
2,37	3630	1532	155	4060	1858	3730	1682	100	450	4250x200x210	35	41
	4130	1743	176	4560	2069	4230	1893	100	450	4750x200x210	40	46
2,40	3630	1513	155	4060	1839	3730	1663	100	450	4250x200x210	35	41
	4130	1721	176	4560	2047	4230	1871	100	450	4750x200x210	40	46



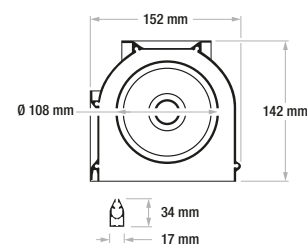
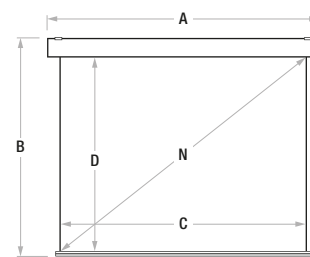
Alumid 5 cm borders

Aspect Ratio	Viewing Width	Viewing Height	Diagonal Inches	Overall Width	Overall Height	Surface Width	Surface Height	Standard Drop	Total Maximum Drop	Packaging Dimensions	Net Weight	Gross Weight
	C	D	N	A	B	F	G	P	mm	mm	kg	kg
1,33 (4:3)	3900	2932	192	4060	3258	4000	3082	100	200	4250x200x210	36	42
1,60 (16:10)	3900	2438	181	4060	2764	4000	2588	100	200	4250x200x210	35	41
1,78 (16:9)	3900	2191	176	4060	2517	4000	2341	100	450	4250x200x210	35	41
2,35 (21:9)	3900	1660	167	4060	1986	4000	1810	100	450	4250x200x210	35	41
2,37	3900	1646	167	4060	1972	4000	1796	100	450	4250x200x210	35	41
2,40	3900	1625	166	4060	1951	4000	1775	100	450	4250x200x210	35	41



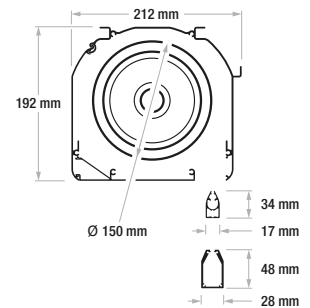
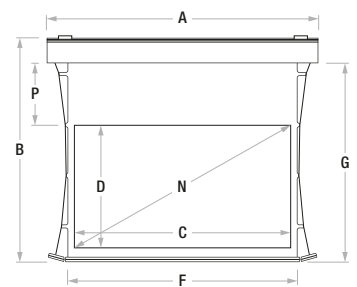
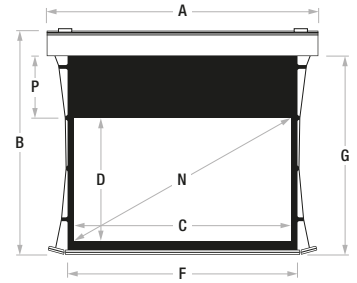
Alumid Without borders

Aspect Ratio	Viewing Width	Viewing Height	Diagonal Inches	Overall Width	Overall Height	Packaging Dimensions	Net Weight	Gross Weight
	C	D	N	A	B	mm	kg	kg
1,00 (1:1)	3500	3500	195	3560	3677	3760x150x180	32	38
	4000	4000	223	4060	4177	4260x150x180	35	41
	4500	4500	251	4560	4677	4760x150x180	42	48
1,33 (4:3)	4000	3008	197	4060	3185	4260x150x180	36	42
	4500	3383	222	4560	3560	4760x150x180	41	47
1,60 (16:10)	4000	2500	186	4060	2677	4260x150x180	36	42
	4500	2813	209	4560	2990	4760x150x180	41	47
1,78 (16:9)	4000	2247	181	4060	2424	4260x150x180	41	35
	4500	2528	203	4560	2705	4760x150x180	40	46
2,35 (21:9)	4000	1702	171	4060	1879	4260x150x180	41	35
	4500	1915	193	4560	2092	4760x150x180	40	46
2,37	4000	1688	171	4060	1865	4260x150x180	41	35
	4500	1899	192	4560	2076	4760x150x180	40	46
2,39	4000	1674	171	4060	1851	4260x150x180	41	35
	4500	1883	192	4560	2060	4760x150x180	40	46
2,40	4000	1667	171	4060	1844	4260x150x180	41	35
	4500	1875	192	4560	2052	4760x150x180	40	46



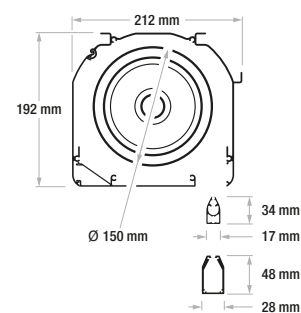
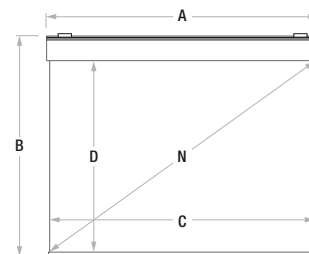
Max One Tensio CTS 5 cm borders/without borders

Aspect Ratio	Viewing Width	Viewing Height	Diagonal Inches	Overall Width	Overall Height	Surface Width	Surface Height	Standard Drop	Total Maximum Drop	Packaging Dimensions	Net Weight	Gross Weight
	C	D	N	A	B	F	G	P	mm	mm	kg	kg
1.33 (4:3)	4640	3489	229	5100	3715	4740	3639	100	200	5280x290x320	76	101
	5140	3865	253	5600	4091	5240	4015	100	200	5780x290x320	84	109
	5640	4241	278	6100	4467	5740	4391	100	200	6280x290x320	92	117
1.60 (16:10)	4640	2900	215	5100	3126	4740	3050	100	200	5280x290x320	74	99
	5140	3213	239	5600	3439	5240	3363	100	200	5780x290x320	82	107
	5640	3525	262	6100	3751	5740	3675	100	200	6280x290x320	90	115
1.78 (16:9)	4640	2607	210	5100	2833	4740	2757	100	200	5280x290x320	74	99
	5140	2888	232	5600	3114	5240	3038	100	200	5780x290x320	82	107
	5640	3169	255	6100	3395	5740	3319	100	200	6280x290x320	90	115
2.35 (21:9)	4640	1974	199	5100	2200	4740	2124	100	200	5280x290x320	73	98
	5140	2187	220	5600	2413	5240	2337	100	200	5780x290x320	81	106
	5640	2400	241	6100	2626	5740	2550	100	200	6280x290x320	89	114
2.37	4640	1958	198	5100	2184	4740	2108	100	200	5280x290x320	73	98
	5140	2169	220	5600	2395	5240	2319	100	200	5780x290x320	81	106
	5640	2380	241	6100	2606	5740	2530	100	200	6280x290x320	89	114
2.39	4640	1941	198	5100	2167	4740	2091	100	200	5280x290x320	73	98
	5140	2151	219	5600	2377	5240	2301	100	200	5780x290x320	81	106
	5640	2360	241	6100	2586	5740	2510	100	200	6280x290x320	89	114
2.40	4640	1933	198	5100	2159	4740	2083	100	200	5280x290x320	73	98
	5140	2142	219	5600	2368	5240	2292	100	200	5780x290x320	81	106
	5640	2350	241	6100	2576	5740	2500	100	200	6280x290x320	89	114



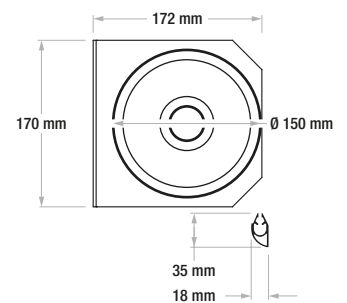
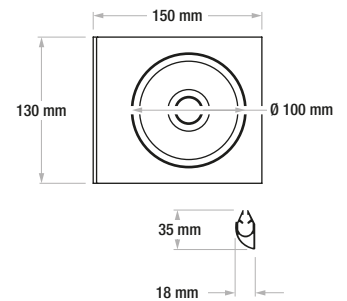
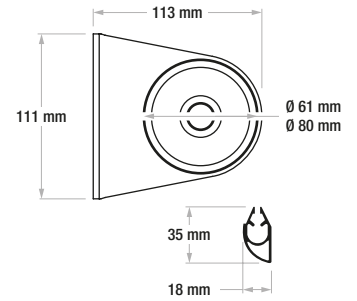
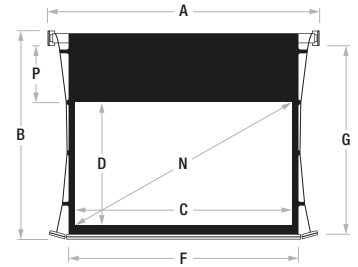
Max One Without borders

Aspect ratio	Viewing Width	Viewing Height	Diagonal Inches	Overall Width	Overall Height	Packaging Dimensions	Net Weight	Gross Weight
	C	D	N	A	B	mm	kg	kg
1,00 (1:1)	5000	5000	278	5100	5226	5280x290x320	80	105
	5500	5500	278	5600	5726	5780x290x320	84	109
1,33 (4:3)	5000	3759	246	5100	3985	5280x290x320	76	101
	5500	4135	271	5600	4361	5780x290x320	84	109
	6000	4511	296	6100	4737	6280x290x320	92	117
	6500	4887	320	6600	5113	6780x290x320	103	123
1,60 (16:10)	5000	3125	232	5100	3351	5280x290x320	74	99
	5500	3438	255	5600	3664	5780x290x320	82	107
	6000	3750	279	6100	3976	6280x290x320	90	115
	6500	4063	302	6600	4289	6780x290x320	101	126
	7000	4375	325	7100	4612	7280x290x320	111	136
1,78 (16:9)	5000	2809	226	5100	3035	5280x290x320	74	99
	5500	3090	248	5600	3316	5780x290x320	82	107
	6000	3371	271	6100	3597	6280x290x320	90	115
	6500	3652	294	6600	3878	6780x290x320	101	126
	7000	3933	316	7100	4170	7280x290x320	111	136
2,35 (21:9)	5000	2128	214	5100	2354	5280x290x320	73	98
	5500	2340	235	5600	2566	5780x290x320	81	106
	6000	2553	257	6100	2779	6280x290x320	89	114
	6500	2766	278	6600	2992	6780x290x320	100	125
	7000	2979	300	7100	3216	7280x290x320	110	135
2,37	5000	2110	214	5100	2336	5280x290x320	73	98
	5500	2321	235	5600	2547	5780x290x320	81	106
	6000	2532	256	6100	2758	6280x290x320	89	114
	6500	2743	278	6600	2969	6780x290x320	100	125
	7000	2954	299	7100	3180	7280x290x320	110	135
2,39	5000	2092	213	5100	2318	5280x290x320	73	98
	5500	2301	235	5600	2527	5780x290x320	81	106
	6000	2510	256	6100	2736	6280x290x320	89	114
	6500	2720	277	6600	2946	6780x290x320	100	125
	7000	2929	299	7100	3166	7280x290x320	110	135
2,40	5000	2083	213	5100	2309	5280x290x320	73	98
	5500	2292	235	5600	2518	5780x290x320	81	106
	6000	2500	256	6100	2726	6280x290x320	89	114
	6500	2708	277	6600	2934	6780x290x320	100	125
	7000	2917	299	7100	3154	7280x290x320	110	135



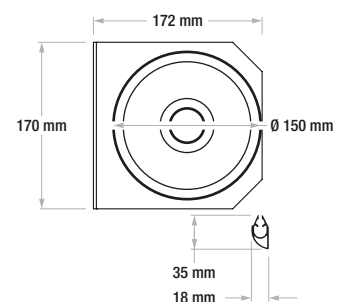
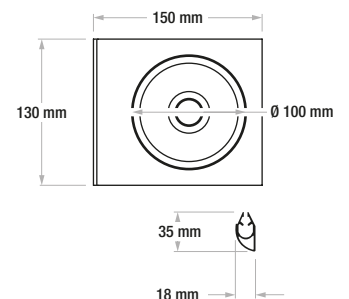
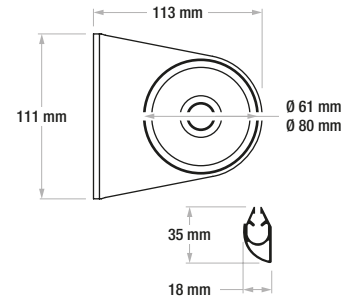
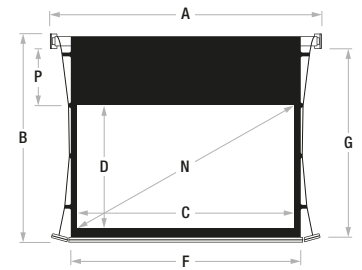
Basic Tensio CTS 5 cm borders

Aspect ratio	Viewing Width	Viewing Height	Diagonal Inches	Overall Width	Overall Height	Surface Width	Surface Height	Standard Drop	Total Maximum Drop	Packaging Dimensions	Net Weight	Gross Weight
	C	D	N	A	B	F	G	P	mm	mm	kg	kg
1.00 (1:1)	2000	2000	111	2420	2246	2100	2100	50	50	2620x150x180	10	11
	2500	2500	139	2920	2746	2600	2600	50	50	3120x150x180	12	15
	3000	3000	167	3420	3246	3100	3100	50	50	3620x150x180	22	25
1.33 (4:3)	2000	1504	99	2420	2150	2100	1604	50	450	2620x150x180	10	11
	2500	1880	123	2920	2376	2600	1980	50	300	3120x150x180	12	15
	3000	2256	148	3420	2902	3100	2406	100	450	3620x150x180	22	25
	3500	2632	172	3920	3178	3600	2782	100	350	4120x150x180	25	30
	4000	3008	197	4430	3423	4100	3158	100	200	4630x150x180	33	39
	4500	3383	222	4930	3798	4600	3533	100	200	5130x150x180	38	43
1.60 (16:10)	2000	1250	93	2420	1896	2100	1350	50	450	2620x150x180	10	11
	2500	1563	116	2920	2209	2600	1663	50	450	3120x150x180	12	15
	3000	1875	139	3420	2521	3100	2025	100	450	3620x150x180	22	25
	3500	2188	162	3920	2834	3600	2338	100	450	4120x150x180	25	30
	4000	2500	186	4430	3158	4100	2650	100	200	4630x150x180	33	39
	4500	2813	209	4930	3533	4600	2963	100	200	5130x150x180	38	43
1.78 (16:9)	2000	1124	90	2420	1770	2100	1224	50	450	2620x150x180	10	11
	2500	1404	113	2920	2050	2600	1504	50	450	3120x150x180	12	15
	3000	1685	135	3420	2331	3100	1835	100	450	3620x150x180	22	25
	3500	1966	158	3920	2612	3600	2116	100	450	4120x150x180	25	30
	4000	2247	181	4430	2912	4100	2397	100	450	4630x150x180	33	39
	4500	2528	203	4930	3193	4600	2678	100	450	5130x150x180	38	43
2.35 (21:9)	2000	851	86	2420	1497	2100	951	50	450	2620x150x180	10	11
	2500	1064	107	2920	1710	2600	1164	50	450	3120x150x180	12	15
	3000	1277	128	3420	1923	3100	1427	100	450	3620x150x180	22	25
	3500	1489	150	3920	2135	3600	1639	100	450	4120x150x180	25	30
	4000	1702	171	4430	2367	4100	1852	100	450	4630x150x180	33	39
	4500	1915	193	4930	2580	4600	2065	100	450	5130x150x180	38	43
2.37	2000	844	85	2420	1490	2100	944	50	450	2620x150x180	10	11
	2500	1055	107	2920	1701	2600	1155	50	450	3120x150x180	12	15
	3000	1266	128	3420	1912	3100	1416	100	450	3620x150x180	22	25
	3500	1477	150	3920	2123	3600	1627	100	450	4120x150x180	25	30
	4000	1688	171	4430	2353	4100	1838	100	450	4630x150x180	33	39
	4500	1899	192	4930	2564	4600	2049	100	450	5130x150x180	38	43
2.39	2000	837	85	2420	1483	2100	937	50	450	2620x150x180	10	11
	2500	1046	107	2920	1692	2600	1146	50	450	3120x150x180	12	15
	3000	1255	128	3420	1901	3100	1405	100	450	3620x150x180	22	25
	3500	1464	149	3920	2110	3600	1614	100	450	4120x150x180	25	30
	4000	1674	171	4430	2339	4100	1824	100	450	4630x150x180	33	39
	4500	1883	192	4930	2548	4600	2033	100	450	5130x150x180	38	43
2.40	2000	833	85	2420	1479	2100	933	50	450	2620x150x180	10	11
	2500	1042	107	2920	1688	2600	1142	50	450	3120x150x180	12	15
	3000	1250	128	3420	1896	3100	1400	100	450	3620x150x180	22	25
	3500	1458	149	3920	2104	3600	1608	100	450	4120x150x180	25	30
	4000	1667	171	4430	2332	4100	1817	100	450	4630x150x180	33	39
	4500	1875	192	4930	2540	4600	2025	100	450	5130x150x180	38	43



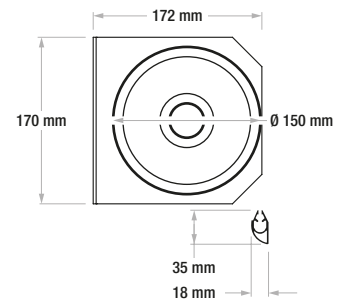
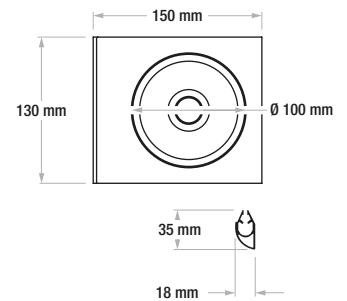
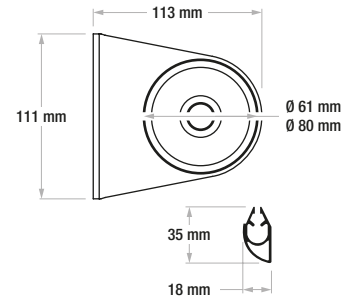
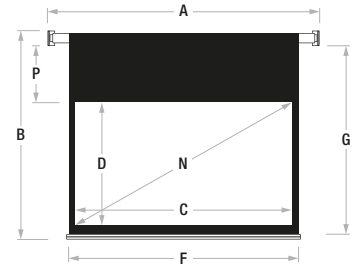
Basic Tensio CTS 7 cm borders

Aspect ratio	Viewing Width	Viewing Height	Diagonal Inches	Overall Width	Overall Height	Surface Width	Surface Height	Standard Drop	Total Maximum Drop	Packaging Dimensions	Net Weight	Gross Weight
	C	D	N	A	B	F	G	P	mm	mm	kg	kg
1.00 (1:1)	2000	2000	111	2460	2286	2140	2140	70	70	2660x150x180	10	11
	2500	2500	139	2960	2786	2640	2640	70	70	3160x150x180	12	15
	3000	3000	167	3460	3286	3140	3140	70	70	3660x150x180	22	25
1.33 (4:3)	2000	1504	99	2460	1790	2140	1644	70	450	2660x150x180	10	11
	2500	1880	123	2960	2166	2640	2020	70	300	3160x150x180	12	15
	3000	2256	148	3460	2572	3140	2426	100	450	3660x150x180	22	25
	3500	2632	172	3960	2948	3640	2802	100	350	4160x150x180	25	30
	4000	3008	197	4470	3343	4140	3178	100	200	4670x150x180	33	39
	4500	3383	222	4970	3718	4640	3553	100	200	5170x150x180	38	43
1.60 (16:10)	5000	3759	246	5520	4134	5140	3929	100	200	5720x150x180	53	75
	5500	4135	271	6020	4510	5640	4305	100	200	6220x150x180	59	81
	2000	1250	93	2460	1536	2140	1390	70	450	2660x150x180	10	11
	2500	1563	116	2960	1849	2640	1703	70	450	3160x150x180	12	15
	3000	1875	139	3460	2191	3140	2045	100	450	3660x150x180	22	25
	3500	2188	162	3960	2504	3640	2358	100	450	4160x150x180	25	30
1.78 (16:9)	4000	2500	186	4470	2835	4140	2670	100	200	4670x150x180	33	39
	4500	2813	209	4970	3148	4640	2983	100	200	5170x150x180	38	43
	5000	3125	232	5520	3500	5140	3295	100	200	5720x150x180	53	75
	5500	3438	255	6020	3813	5640	3608	100	200	6220x150x180	59	81
	2000	1124	90	2460	1410	2140	1264	70	450	2660x150x180	10	11
	2500	1404	113	2960	1690	2640	1544	70	450	3160x150x180	12	15
2.35 (21:9)	3000	1685	135	3460	2001	3140	1855	100	450	3660x150x180	22	25
	3500	1966	158	3960	2282	3640	2136	100	450	4160x150x180	25	30
	4000	2247	181	4470	2582	4140	2417	100	450	4670x150x180	33	39
	4500	2528	203	4970	2863	4640	2698	100	450	5170x150x180	38	43
	5000	2809	226	5520	3184	5140	2979	100	200	5720x150x180	53	75
	5500	3090	248	6020	3465	5640	3260	100	200	6220x150x180	59	81
2.37	2000	851	86	2460	1137	2140	991	70	450	2660x150x180	10	11
	2500	1064	107	2960	1350	2640	1204	70	450	3160x150x180	12	15
	3000	1277	128	3460	1593	3140	1447	100	450	3660x150x180	22	25
	3500	1489	150	3960	1805	3640	1659	100	450	4160x150x180	25	30
	4000	1702	171	4470	2037	4140	1872	100	450	4670x150x180	33	39
	4500	1915	193	4970	2250	4640	2085	100	450	5170x150x180	38	43
2.39	5000	2128	214	5520	2503	5140	2298	100	200	5720x150x180	53	75
	5500	2340	235	6020	2715	5640	2510	100	200	6220x150x180	59	81
	2000	844	85	2460	1130	2140	984	70	450	2660x150x180	10	11
	2500	1055	107	2960	1341	2640	1195	70	450	3160x150x180	12	15
	3000	1266	128	3460	1582	3140	1436	100	450	3660x150x180	22	25
	3500	1477	150	3960	1793	3640	1647	100	450	4160x150x180	25	30
2.40	4000	1688	171	4470	2023	4140	1858	100	450	4670x150x180	33	39
	4500	1899	192	4970	2234	4640	2069	100	450	5170x150x180	38	43
	5000	2110	214	5520	2485	5140	2280	100	200	5720x150x180	53	75
	5500	2321	235	6020	2696	5640	2491	100	200	6220x150x180	59	81
	2000	837	85	2460	1123	2140	977	70	450	2660x150x180	10	11
	2500	1046	107	2960	1332	2640	1186	70	450	3160x150x180	12	15
2.40	3000	1255	128	3460	1571	3140	1425	100	450	3660x150x180	22	25
	3500	1464	149	3960	1780	3640	1634	100	450	4160x150x180	25	30
	4000	1674	171	4470	2009	4140	1844	100	450	4670x150x180	33	39
	4500	1883	192	4970	2218	4640	2053	100	450	5170x150x180	38	43
	5000	2092	213	5520	2467	5140	2262	100	200	5720x150x180	53	75
	5500	2301	235	6020	2676	5640	2471	100	200	6220x150x180	59	81



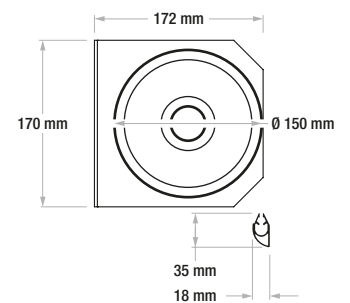
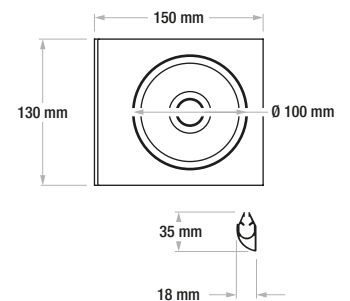
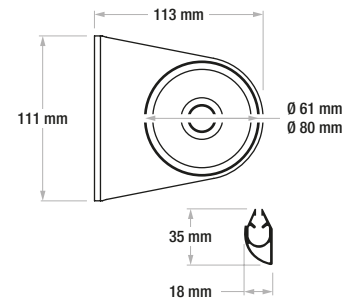
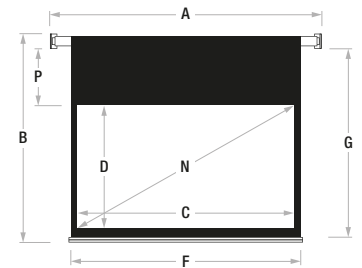
Basic 5 cm borders

Aspect ratio	Viewing Width	Viewing Height	Diagonal Inches	Overall Width	Overall Height	Surface Width	Surface Height	Standard Drop	Total Maximum Drop	Packaging Dimensions	Net Weight	Gross Weight
	C	D	N	A	B	F	G	P	mm	mm	kg	kg
1,00 (1:1)	2000	2000	111	2171	2246	2100	2100	50	50	2270x150x180	10	11
	2500	2500	139	2670	2746	2600	2600	50	50	2770x150x180	12	15
	3000	3000	167	3170	3246	3100	3100	50	50	3270x150x180	22	25
1,33 (4:3)	2000	1504	99	2170	1750	2100	1604	50	450	2270x150x180	10	11
	2500	1880	123	2670	2126	2600	1980	50	300	2770x150x180	12	15
	3000	2256	148	3170	2552	3100	2406	100	450	3270x150x180	22	25
	3500	2632	172	3670	2928	3600	2782	100	350	3770x150x180	25	30
1,60 (16:10)	2000	1250	93	2170	1496	2100	1350	50	450	2270x150x180	10	11
	2500	1563	116	2670	1809	2600	1663	50	450	2770x150x180	12	15
	3000	1875	139	3170	2171	3100	2025	100	450	3270x150x180	22	25
	3500	2188	162	3670	2484	3600	2338	100	450	3770x150x180	25	30
1,78 (16:9)	2000	1124	90	2170	1370	2100	1224	50	450	2270x150x180	10	11
	2500	1404	113	2670	1650	2600	1504	50	450	2770x150x180	12	15
	3000	1685	135	3170	1981	3100	1835	100	450	3270x150x180	22	25
	3500	1966	158	3670	2262	3600	2116	100	450	3770x150x180	25	30
2,35 (21:9)	2000	851	86	2170	1097	2100	951	50	450	2270x150x180	10	11
	2500	1064	107	2670	1310	2600	1164	50	450	2770x150x180	12	15
	3000	1277	128	3170	1573	3100	1427	100	450	3270x150x180	22	25
	3500	1489	150	3670	1785	3600	1639	100	450	3770x150x180	25	30
2,37	2000	844	85	2170	1090	2100	944	50	450	2270x150x180	10	11
	2500	1055	107	2670	1301	2600	1155	50	450	2770x150x180	12	15
	3000	1266	128	3170	1562	3100	1416	100	450	3270x150x180	22	25
	3500	1477	150	3670	1773	3600	1627	100	450	3770x150x180	25	30
2,39	2000	837	85	2170	1083	2100	937	50	450	2270x150x180	10	11
	2500	1046	107	2670	1292	2600	1146	50	450	2770x150x180	12	15
	3000	1255	128	3170	1551	3100	1405	100	450	3270x150x180	22	25
	3500	1464	149	3670	1760	3600	1614	100	450	3770x150x180	25	30
2,40	2000	833	85	2170	1079	2100	933	50	450	2270x150x180	10	11
	2500	1042	107	2670	1288	2600	1142	50	450	2770x150x180	12	15
	3000	1250	128	3170	1546	3100	1400	100	450	3270x150x180	22	25
	3500	1458	149	3670	1754	3600	1608	100	450	3770x150x180	25	30
2,40	2000	833	85	2170	1079	2100	933	50	450	2270x150x180	10	11
	2500	1042	107	2670	1288	2600	1142	50	450	2770x150x180	12	15
	3000	1250	128	3170	1546	3100	1400	100	450	3270x150x180	22	25
	3500	1458	149	3670	1754	3600	1608	100	450	3770x150x180	25	30
2,40	2000	833	85	2170	1079	2100	933	50	450	2270x150x180	10	11
	2500	1042	107	2670	1288	2600	1142	50	450	2770x150x180	12	15
	3000	1250	128	3170	1546	3100	1400	100	450	3270x150x180	22	25
	3500	1458	149	3670	1754	3600	1608	100	450	3770x150x180	25	30



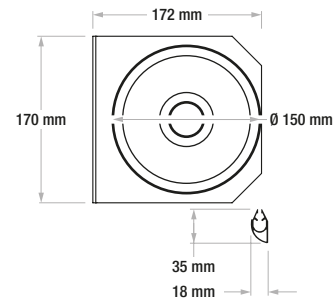
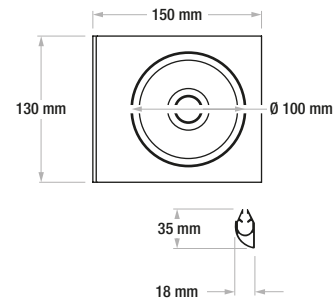
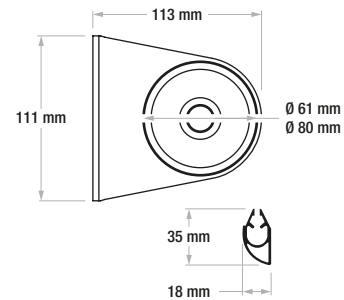
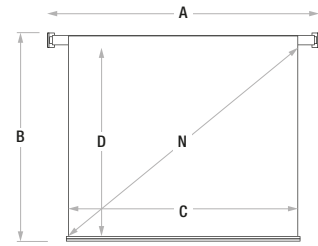
Basic 7 cm borders

Aspect Ratio	Viewing Width	Viewing Height	Diagonal Inches	Overall Width	Overall Height	Surface Width	Surface Height	Standard Drop	Total Maximum Drop	Packaging Dimensions	Net Weight	Gross Weight
	C	D	N	A	B	F	G	P	mm	mm	kg	kg
1,00 (1:1)	2000	2000	111	2210	2286	2140	2140	70	70	2270x150x180	10	11
	2500	2500	139	2710	2786	2640	2640	70	70	2770x150x180	12	15
	3000	3000	167	3210	3286	3140	3140	70	70	3270x150x180	22	25
1,33 (4:3)	2000	1504	99	2210	1790	2140	1644	70	450	2270x150x180	10	11
	2500	1880	123	2710	2166	2640	2020	70	300	2770x150x180	12	15
	3000	2256	148	3210	2572	3140	2426	100	450	3270x150x180	22	25
	3500	2632	172	3710	2948	3640	2802	100	350	3770x150x180	25	30
1,60 (16:10)	4000	3008	197	4210	3343	4140	3178	100	200	4260x150x180	33	39
	2000	1250	93	2210	1536	2140	1390	70	450	2270x150x180	10	11
	2500	1563	116	2710	1849	2640	1703	70	450	2770x150x180	12	15
	3000	1875	139	3210	2191	3140	2045	100	450	3270x150x180	22	25
1,78 (16:9)	3500	2188	162	3710	2504	3640	2358	100	450	3770x150x180	25	30
	4000	2500	186	4210	2835	4140	2670	100	200	4260x150x180	33	39
	2000	1124	90	2210	1410	2140	1264	70	450	2270x150x180	10	11
	2500	1404	113	2710	1690	2640	1544	70	450	2770x150x180	12	15
2,35 (21:9)	3000	1685	135	3210	2001	3140	1855	100	450	3270x150x180	22	25
	3500	1966	158	3710	2282	3640	2136	100	450	3770x150x180	25	30
	4000	2247	181	4210	2582	4140	2417	100	450	4260x150x180	33	39
	2000	851	86	2210	1137	2140	991	70	450	2270x150x180	10	11
2,37	2500	1064	107	2710	1350	2640	1204	70	450	2770x150x180	12	15
	3000	1277	128	3210	1593	3140	1447	100	450	3270x150x180	22	25
	3500	1489	150	3710	1805	3640	1659	100	450	3770x150x180	25	30
	4000	1702	171	4210	2037	4140	1872	100	450	4260x150x180	33	39
2,39	2000	844	85	2210	1130	2140	984	70	450	2270x150x180	10	11
	2500	1055	107	2710	1341	2640	1195	70	450	2770x150x180	12	15
	3000	1266	128	3210	1582	3140	1436	100	450	3270x150x180	22	25
	3500	1477	150	3710	1793	3640	1647	100	450	3770x150x180	25	30
2,40	4000	1688	171	4210	2023	4140	1858	100	450	4260x150x180	33	39
	2000	837	85	2210	1123	2140	977	70	450	2270x150x180	10	11
	2500	1046	107	2710	1332	2640	1186	70	450	2770x150x180	12	15
	3000	1255	128	3210	1571	3140	1425	100	450	3270x150x180	22	25
2,40	3500	1464	149	3710	1780	3640	1634	100	450	3770x150x180	25	30
	4000	1674	171	4210	2009	4140	1844	100	450	4260x150x180	33	39



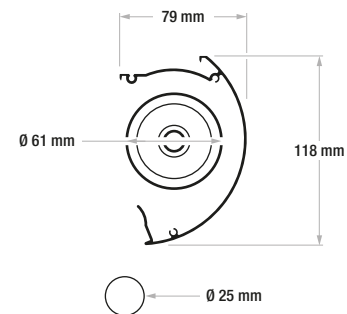
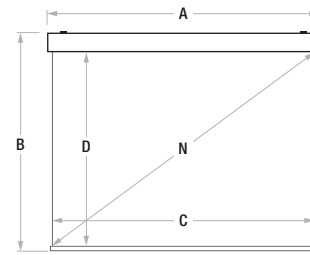
Basic Without borders

Aspect ratio	Viewing Width	Viewing Height	Diagonal Inches	Overall Width	Overall Height	Packaging Dimensions	Net Weight	Gross Weight
	C	D	N	A	B	mm	kg	kg
1,00 (1:1)	2000	2000	111	2070	2146	2270x150x180	10	11
	2500	2500	139	2570	2646	2770x150x180	12	15
	3000	3000	167	3070	3146	3270x150x180	22	25
	3500	3500	195	3560	3646	3760x150x180	25	30
	4000	4000	223	4060	4165	4260x150x180	33	39
	4500	4500	251	4560	4665	4760x150x180	38	43
	5000	5000	278	5120	5205	5320x150x180	53	75
1,33 (4:3)	2000	1504	99	2070	1650	2270x150x180	10	11
	2500	1880	123	2570	2026	2770x150x180	12	15
	3000	2256	148	3070	2402	3270x150x180	22	25
	3500	2632	172	3570	2778	3770x150x180	25	30
	4000	3008	197	4060	3173	4260x150x180	33	39
	4500	3383	222	4560	3548	4760x150x180	38	43
	5000	3759	246	5120	3964	5320x150x180	53	75
1,60 (16:10)	2000	1250	93	2070	1396	2270x150x180	10	11
	2500	1563	116	2570	1709	2770x150x180	12	15
	3000	1875	139	3070	2021	3270x150x180	22	25
	3500	2188	162	3570	2334	3770x150x180	25	30
	4000	2500	186	4060	2665	4260x150x180	33	39
	4500	2813	209	4560	2978	4760x150x180	38	43
	5000	3125	232	5120	3330	5320x150x180	53	75
1,78 (16:9)	2000	1124	90	2070	1270	2270x150x180	10	11
	2500	1404	113	2570	1550	2770x150x180	12	15
	3000	1685	135	3070	1831	3270x150x180	22	25
	3500	1966	158	3570	2112	3770x150x180	25	30
	4000	2247	181	4060	2412	4260x150x180	33	39
	4500	2528	203	4560	2693	4760x150x180	38	43
	5000	2809	226	5120	3014	5320x150x180	53	75
2,35 (21:9)	2000	851	86	2070	997	2270x150x180	10	11
	2500	1064	107	2570	1210	2770x150x180	12	15
	3000	1277	128	3070	1423	3270x150x180	22	25
	3500	1489	150	3570	1635	3770x150x180	25	30
	4000	1702	171	4060	1867	4260x150x180	33	39
	4500	1915	193	4560	2080	4760x150x180	38	43
	5000	2128	214	5120	2333	5320x150x180	53	75
2,37	2000	844	85	2070	990	2270x150x180	10	11
	2500	1055	107	2570	1201	2770x150x180	12	15
	3000	1266	128	3070	1412	3270x150x180	22	25
	3500	1477	150	3570	1623	3770x150x180	25	30
	4000	1688	171	4060	1853	4260x150x180	33	39
	4500	1899	192	4560	2064	4760x150x180	38	43
	5000	2110	214	5120	2315	5320x150x180	53	75
2,39	2000	837	85	2070	983	2270x150x180	10	11
	2500	1046	107	2570	1192	2770x150x180	12	15
	3000	1255	128	3070	1401	3270x150x180	22	25
	3500	1464	149	3570	1610	3770x150x180	25	30
	4000	1674	171	4060	1839	4260x150x180	33	39
	4500	1883	192	4560	2048	4760x150x180	38	43
	5000	2092	213	5120	2297	5320x150x180	53	75
2,40	2000	833	85	2070	979	2270x150x180	10	11
	2500	1042	107	2570	1188	2770x150x180	12	15
	3000	1250	128	3070	1396	3270x150x180	22	25
	3500	1458	149	3570	1604	3770x150x180	25	30
	4000	1667	171	4060	1832	4260x150x180	33	39
	4500	1875	192	4560	2040	4760x150x180	38	43
	5000	2083	213	5120	2288	5320x150x180	53	75



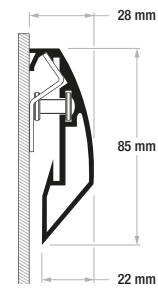
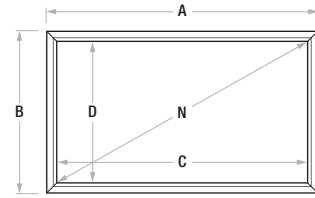
Linear SE Without borders

Aspect Ratio	Viewing Width	Viewing Height	Diagonal Inches	Overall Width	Overall Height	Packaging Dimensions	Net Weight	Gross Weight
	C	D	N	A	B	mm	kg	kg
1,00 (1:1)	1800	1800	100	1860	1943	2060x150x180	12	15
	2000	2000	111	2060	2143	2260x150x180	14	17
	2200	2200	122	2260	2343	2460x150x180	16	19
	2400	2400	134	2460	2543	2660x150x180	18	21
	2600	2600	145	2660	2743	2860x150x180	20	23
1,33 (4:3)	1800	1353	89	1860	1496	2060x150x180	12	15
	2000	1504	99	2060	1647	2260x150x180	14	17
	2200	1654	108	2260	1797	2460x150x180	16	19
	2400	1805	118	2460	1948	2660x150x180	18	21
	2600	1955	128	2660	2098	2860x150x180	20	23
1,60 (16:10)	1800	1125	84	1860	1268	2060x150x180	12	15
	2000	1250	93	2060	1393	2260x150x180	14	17
	2200	1375	102	2260	1518	2460x150x180	16	19
	2400	1500	111	2460	1643	2660x150x180	18	21
	2600	1625	121	2660	1768	2860x150x180	20	23
1,78 (16:9)	1800	1011	81	1860	1154	2060x150x180	12	15
	2000	1124	90	2060	1267	2260x150x180	14	17
	2200	1236	99	2260	1379	2460x150x180	16	19
	2400	1348	108	2460	1491	2660x150x180	18	21
	2600	1461	117	2660	1604	2860x150x180	20	23



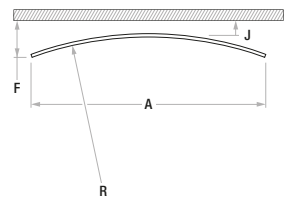
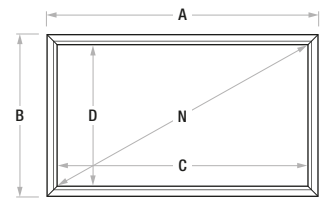
Plano

Aspect Ratio	Viewing Width	Viewing Height	Diagonal Inches	Overall Width	Overall Height	Packaging Dimensions	Net Weight	Gross Weight
	C	D	N	A	B			
1,33 (4:3)	1800	1353	89	1970	1523	2170x150x180	12	15
	2000	1504	99	2170	1674	2370x150x180	12,5	16
	2200	1654	108	2370	1824	2570x150x180	13,5	16,5
	2500	1880	123	2670	2050	2870x150x180	14,5	17,5
	3000	2256	148	3170	2426	3370x150x180	14,5	17,5
1,60 (16:10)	1800	1125	84	1970	1295	2170x150x180	12	15
	2000	1250	93	2170	1420	2370x150x180	12,5	16
	2200	1375	102	2370	1545	2570x150x180	13,5	16,5
	2500	1563	116	2670	1733	2870x150x180	14,5	17,5
	3000	1875	139	3170	2045	3370x150x180	14,5	17,5
1,78 (16:9)	1800	1011	81	1970	1181	2170x150x180	12	15
	2000	1124	90	2170	1294	2370x150x180	12,5	16
	2200	1236	99	2370	1406	2570x150x180	13,5	16,5
	2500	1404	113	2670	1574	2870x150x180	14,5	17,5
	3000	1685	135	3170	1855	3370x150x180	14,5	17,5
2,35 (21:9)	1800	766	77	1970	936	2170x150x180	12	15
	2000	851	86	2170	1021	2370x150x180	12,5	16
	2200	936	94	2370	1106	2570x150x180	13,5	16,5
	2500	1064	107	2670	1234	2870x150x180	14,5	17,5
	3000	1277	128	3170	1447	3370x150x180	14,5	17,5



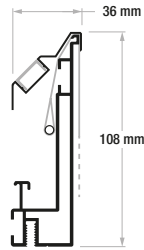
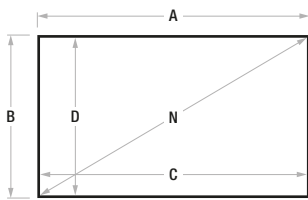
Plano Curved

Aspect Ratio	Viewing Width	Viewing Height	Diagonal Inches	Overall Width	Overall Height	Total Depth	Surface/Wall Distance	Radius of Curvature	Packaging Dimensions	Net Weight	Gross Weight
	C	D	N	A	B	F	J	R			
1,33 (4:3)	1800	1353	89	1970	1523	110	41	9269	2170x230x180	12	15
	2000	1504	99	2170	1674	110	36	10299	2370x230x180	12,5	16
	2200	1654	108	2370	1824	110	32	11329	2570x230x180	13,5	16,5
	2500	1880	123	2670	2050	110	24	12874	2870x230x180	14,5	17,5
	3000	2256	148	3170	2426	110	12	15449	3370x230x180	14,5	17,5
	3500	2632	172	3670	2802	150	45	18023	3870x230x180	15,5	18,5
	4000	3008	197	4170	3178	150	33	20598	4370x230x180	17	20
1,78 (16:9)	1800	1011	81	1970	1181	110	41	9269	2170x230x180	10	13
	2000	1124	90	2170	1294	110	36	10299	2370x230x180	10,5	13,5
	2200	1236	99	2370	1406	110	32	11329	2570x230x180	11,5	14,5
	2500	1404	113	2670	1574	110	24	12874	2870x230x180	12	15
	3000	1685	135	3170	1855	110	12	15449	3370x230x180	12,5	15,5
1,60 (16:10)	1800	1125	84	1970	1295	110	41	9269	2170x230x180	12	15
	2000	1250	93	2170	1420	110	36	10299	2370x230x180	12,5	16
	2200	1375	102	2370	1545	110	32	11329	2570x230x180	13,5	16,5
	2500	1563	116	2670	1733	110	24	12874	2870x230x180	14,5	17,5
	3000	1875	139	3170	2045	110	12	15449	3370x230x180	14,5	17,5
	3500	2188	162	3670	2358	150	45	18023	3870x230x180	15,5	18,5
	4000	2500	186	4170	2670	150	33	20598	4370x230x180	16	19
2,35 (21:9)	1800	766	77	1970	936	110	41	9269	2170x230x180	10	13
	2000	851	86	2170	1021	110	36	10299	2370x230x180	10,5	13,5
	2200	936	94	2370	1106	110	32	11329	2570x230x180	11,5	14,5
	2500	1064	107	2670	1234	110	24	12874	2870x230x180	12	15
	3000	1277	128	3170	1447	110	12	15449	3370x230x180	12,5	15,5
	3500	1489	150	3670	1659	150	45	18023	3870x230x180	13	16
	4000	1702	171	4170	1872	150	33	20598	4370x230x180	14	17



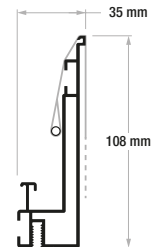
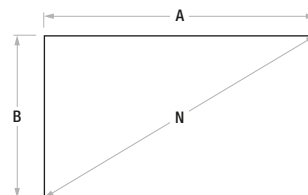
Prestige

Aspect ratio	Viewing Width	Viewing Height	Diagonal Inches	Overall Width	Overall Height	Packaging Dimensions	Net Weight	Gross Weight
	C	D	N	A	B	mm	kg	kg
1,33 (4:3)	2000	1504	99	2020	1524	2220x150x180	18,1	22,1
	2500	1880	123	2520	1900	2720x150x180	23,1	27,1
	3000	2256	148	3020	2276	3220x150x180	28,8	32,8
	3500	2632	172	3520	2652	3720x150x180	35,3	39,3
	4000	3008	197	4020	3028	4220x150x180	42,6	46,6
1,60 (16:10)	2000	1250	93	2020	1270	2220x150x180	16,6	20,6
	2500	1563	116	2520	1583	2720x150x180	20,9	24,9
	3000	1875	139	3020	1895	3220x150x180	25,8	29,8
	3500	2188	162	3520	2208	3720x150x180	31,3	35,3
	4000	2500	186	4020	2520	4220x150x180	37,5	41,5
1,78 (16:9)	2000	1124	90	2020	1144	2220x150x180	15,9	19,9
	2500	1404	113	2520	1424	2720x150x180	19,8	23,8
	3000	1685	135	3020	1705	3220x150x180	24,3	28,3
	3500	1966	158	3520	1986	3720x150x180	29,4	33,4
	4000	2247	181	4020	2267	4220x150x180	35,0	39,0
2,35 (21:9)	2000	851	86	2020	871	2220x150x180	14,3	18,3
	2500	1064	107	2520	1084	2720x150x180	17,5	21,5
	3000	1277	128	3020	1297	3220x150x180	21,1	25,1
	3500	1489	150	3520	1509	3720x150x180	25,1	29,1
	4000	1702	171	4020	1722	4220x150x180	29,6	33,6
2,37	2000	844	85	2020	864	2220x150x180	14,3	18,3
	2500	1055	107	2520	1075	2720x150x180	17,4	21,4
	3000	1266	128	3020	1286	3220x150x180	21,0	25,0
	3500	1477	150	3520	1497	3720x150x180	25,0	29,0
	4000	1688	171	4020	1708	4220x150x180	29,5	33,5
2,40	2000	833	85	2020	853	2220x150x180	14,2	18,2
	2500	1042	107	2520	1062	2720x150x180	17,3	21,3
	3000	1250	128	3020	1270	3220x150x180	20,9	24,9
	3500	1458	149	3520	1478	3720x150x180	24,9	28,9
	4000	1667	171	4020	1687	4220x150x180	29,3	33,3



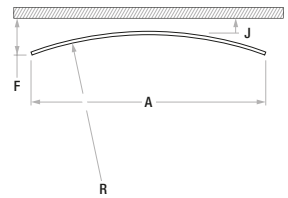
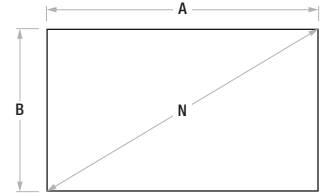
FrameLess

Aspect ratio	Viewing Width	Viewing Height	Diagonal Inches	Overall Width	Overall Height	Packaging Dimensions	Net Weight	Gross Weight
	A	B	N	A	B	mm	kg	kg
1,00 (1:1)	3000	3000	167	3000	3000	3200x150x180	32	36
	3500	3500	195	3500	3500	3700x150x180	37	41
	4000	4000	223	4000	4000	4200x150x180	43	47
	4500	4500	251	4500	4500	4700x150x180	49	53
1,33 (4:3)	3000	2251	148	3000	2256	3200x150x180	28	32
	3500	2626	172	3500	2632	3700x150x180	32	36
	4000	3001	197	4000	3008	4200x150x180	37	41
	4500	3376	221	4500	3384	4700x150x180	42	46
1,60 (16:10)	3000	1875	139	3000	1875	3200x150x180	26	30
	3500	2188	162	3500	2188	3700x150x180	30	34
	4000	2500	186	4000	2500	4200x150x180	34	38
	4500	2813	209	4500	2813	3013x200x210	38	42
	5000	3125	232	5000	3125	3325x200x210	43	47
	5500	3438	255	5500	3438	3638x200x210	48	52
1,78 (16:9)	3000	2251	148	3000	2256	3200x150x180	28	32
	3500	2626	172	3500	2632	3700x150x180	32	36
	4000	2999	196	4000	3004	4200x150x180	36	40
	4500	3371	220	4500	3376	4700x150x180	40	44
	5000	3744	244	5000	3749	5000x150x180	44	48
	5500	4117	268	5500	4122	5300x150x180	48	52
2,35 (21:9)	3000	1685	135	3000	1685	3200x150x180	25	29
	3500	1966	158	3500	1966	3700x150x180	28	32
	4000	2247	181	4000	2247	4200x150x180	32	36
	4500	2528	203	4500	2528	2728x200x210	36	40
	5000	2809	226	5000	2809	3009x200x210	41	45
	5500	3090	248	5500	3090	3290x200x210	45	49
2,37	3000	1277	128	3000	1277	3200x150x180	23	27
	3500	1489	150	3500	1489	3700x150x180	26	30
	4000	1702	171	4000	1702	4200x150x180	29	33
	4500	1915	193	4500	1915	2450x200x210	33	37
	5000	2128	214	5000	2128	2700x200x210	36	40
	5500	2340	235	5500	2340	2950x200x210	40	44
2,40	3000	1266	128	3000	1266	3200x150x180	22	26
	3500	1477	150	3500	1477	3700x150x180	26	30
	4000	1688	171	4000	1688	4200x150x180	29	33
	4500	1899	192	4500	1899	2450x200x210	33	37
	5000	2110	214	5000	2110	2700x200x210	36	40
	5500	2321	235	5500	2321	2950x200x210	40	44



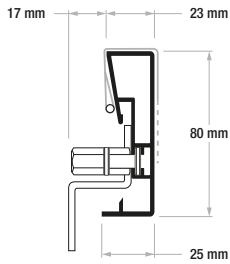
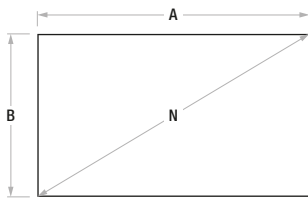
FrameLess Curved

Aspect Ratio	Viewing Width	Viewing Height	Diagonal Inches	Overall Width	Overall Height	Total Depth	Surface/Wall Distance	Radius of Curvature	Packaging Dimensions	Net Weight	Gross Weight
	A	B	N	A	B	F	J	R	mm	kg	kg
1,78 (16:9)	2000	1124	90	2000	1124	134	85	10299	2200x150x180	17	21
	2500	1404	113	2500	1404	146	85	12874	2700x150x180	19	23
	3000	1685	135	3000	1685	158	85	15449	3200x150x180	21	25
	3500	1966	158	3500	1966	170	85	18023	3700x150x180	23	27
	4000	2247	181	4000	2247	182	85	20598	4200x150x180	24	28
	4500	2528	203	4500	2528	194	85	23173	2728x200x210	26	30
	5000	2809	226	5000	2809	207	85	25748	3009x200x210	28	32
	5500	3090	248	5500	3090	219	85	28323	3290x200x210	30	34
6000	3371	271	6000	3371	231	85	30897	3571x200x210	31	35	
2,35 (21:9)	2000	851	86	2000	851	134	85	10299	2200x150x180	17	21
	2500	1064	107	2500	1064	146	85	12874	2700x150x180	19	23
	3000	1277	128	3000	1277	158	85	15449	3200x150x180	21	25
	3500	1489	150	3500	1489	170	85	18023	3700x150x180	23	27
	4000	1702	171	4000	1702	182	85	20598	4200x150x180	24	28
	4500	1915	193	4500	1915	194	85	23173	2450x200x210	26	30
	5000	2128	214	5000	2128	207	85	25748	2700x200x210	28	32
	5500	2340	235	5500	2340	219	85	28323	2950x200x210	30	34
6000	2553	257	6000	2553	231	85	30897	3200x200x210	31	35	
2,37	2000	844	85	2000	844	134	85	10299	2200x150x180	17	21
	2500	1055	107	2500	1055	146	85	12874	2700x150x180	19	23
	3000	1266	128	3000	1266	158	85	15449	3200x150x180	21	25
	3500	1477	150	3500	1477	170	85	18023	3700x150x180	23	27
	4000	1688	171	4000	1688	182	85	20598	2200x150x180	24	28
	4500	1899	192	4500	1899	194	85	23173	2450x200x210	26	30
	5000	2110	214	5000	2110	207	85	25748	2700x200x210	28	32
	5500	2321	235	5500	2321	219	85	28323	2950x200x210	30	34
6000	2532	256	6000	2532	231	85	30897	6200x200x210	31	35	
2,39	2000	837	85	2000	837	134	85	10299	2200x150x180	17	21
	2500	1046	107	2500	1046	146	85	12874	2700x150x180	19	23
	3000	1255	128	3000	1255	158	85	15449	3200x150x180	21	25
	3500	1464	149	3500	1464	170	85	18023	3700x150x180	23	27
	4000	1674	171	4000	1674	182	85	20598	4200x150x180	24	28
	4500	1883	192	4500	1883	194	85	23173	2450x200x210	26	30
	5000	2092	213	5000	2092	207	85	25748	2700x200x210	28	32
	5500	2301	235	5500	2301	219	85	28323	2950x200x210	30	34
6000	2510	256	6000	2510	231	85	30897	3200x200x210	31	35	
2,40	2000	833	85	2000	833	134	85	10299	2200x150x180	17	21
	2500	1042	107	2500	1042	146	85	12874	2700x150x180	19	23
	3000	1250	128	3000	1250	158	85	15449	3200x150x180	21	25
	3500	1458	149	3500	1458	170	85	18023	3700x150x180	23	27
	4000	1667	171	4000	1667	182	85	20598	4200x150x180	24	28
	4500	1875	192	4500	1875	194	85	23173	2450x200x210	26	30
	5000	2083	213	5000	2083	207	85	25748	2700x200x210	28	32
	5500	2292	235	5500	2292	219	85	28323	2950x200x210	30	34
6000	2500	256	6000	2500	231	85	30897	3200x200x210	31	35	



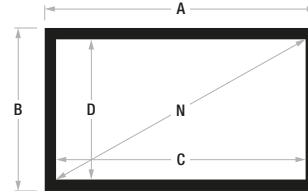
FramePro FE Front Elastics

Aspect ratio	Viewing Width	Viewing Height	Diagonal Inches	Overall Width	Overall Height	Packaging Dimensions	Net Weight	Gross Weight
	A	B	N	A	B	mm	kg	kg
1,33 (4:3)	2000	1504	98	2000	1504	2200x150x180	13	16
	2500	1880	123	2500	1880	2700x150x180	17	20
	3000	2256	148	3000	2255	3200x150x180	22	25
	3500	2632	172	3500	2632	3700x150x180	27	30
1,78 (16:9)	2000	1124	90	2000	1124	2200x150x180	12	15
	2500	1404	113	2500	1404	2700x150x180	16	19
	3000	1685	135	3000	1685	3200x150x180	21	24
	3500	1966	158	3500	1966	3700x150x180	26	29
1,60 (16:10)	2000	1250	93	2000	1250	2200x150x180	13	16
	2500	1563	116	2500	1563	2700x150x180	17	20
	3000	1875	139	3000	1875	3200x150x180	22	25
	3500	2188	162	3500	2188	3700x150x180	27	30
2,35 (21:9)	2000	851	86	2000	851	2200x150x180	12	15
	2500	1064	107	2500	1064	2700x150x180	16	19
	3000	1277	128	3000	1277	3200x150x180	21	24
	3500	1489	150	3500	1489	3700x150x180	26	29



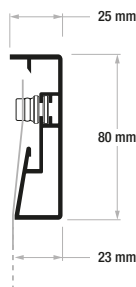
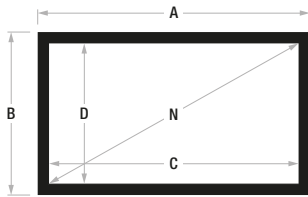
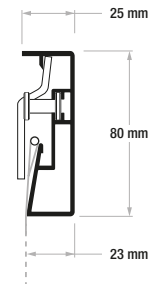
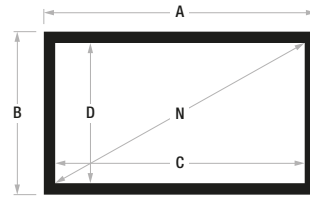
FramePro FB Front Buttons

Aspect ratio	Viewing Width	Viewing Height	Diagonal Inches	Overall Width	Overall Height	Packaging Dimensions	Net Weight	Gross Weight
	C	D	N	A	B	mm	kg	kg
1,33 (4:3)	1840	1383	91	2000	1543	2200x150x180	13	16
	2340	1759	115	2500	1919	2700x150x180	17	20
	2840	2135	140	3000	2295	3200x150x180	22	25
	3340	2511	165	3500	2671	3700x150x180	27	30
	3840	2887	189	4000	3047	4200x150x180	32	35
	4840	3639	238	5000	3799	5200x150x180	43	50
1,78 (16:9)	1840	1034	83	2000	1194	2200x150x180	12	15
	2340	1315	106	2500	1475	2700x150x180	16	19
	2840	1596	128	3000	1756	3200x150x180	21	24
	3340	1876	151	3500	2036	3700x150x180	26	29
	3840	2157	173	4000	2317	4200x150x180	31	34
	4840	2719	219	5000	2879	5200x150x180	41	48
1,60 (16:10)	1840	1150	85	2000	1310	2200x150x180	13	16
	2340	1463	109	2500	1623	2700x150x180	17	20
	2840	1775	132	3000	1935	3200x150x180	22	25
	3340	2088	155	3500	2248	3700x150x180	27	30
	3840	2400	178	4000	2560	4200x150x180	32	35
	4840	3025	225	5000	3185	5200x150x180	43	50
2,35 (21:9)	1840	783	79	2000	943	2200x150x180	12	15
	2340	996	100	2500	1156	2700x150x180	16	19
	2840	1209	122	3000	1369	3200x150x180	21	24
	3340	1421	143	3500	1581	3700x150x180	26	29
	3840	1634	164	4000	1794	4200x150x180	31	34
	4840	2060	207	5000	2220	5200x150x180	41	48
2,35 (21:9)	5840	2485	250	6000	2645	6200x150x180	51	58



FramePro RE Rear Elastics

Aspect Ratio	Viewing Width	Viewing Height	Diagonal Inches	Overall Width	Overall Height	Packaging Dimensions	Net Weight	Gross Weight
	C	D	N	A	B	mm	kg	kg
4:3	1840	1383	91	2000	1543	2200x150x180	13	16
	2340	1759	115	2500	1919	2700x150x180	17	20
	2840	2135	140	3000	2295	3200x150x180	22	25
	3340	2511	165	3500	2671	3700x150x180	27	30
	3840	2887	189	4000	3047	4200x150x180	32	35
	4840	3639	238	5000	3799	5200x150x180	43	50
5840	4391	288	6000	4551	6200x150x180	53	60	
16:9	1840	1034	83	2000	1194	2200x150x180	12	15
	2340	1315	106	2500	1475	2700x150x180	16	19
	2840	1596	128	3000	1756	3200x150x180	21	24
	3340	1876	151	3500	2036	3700x150x180	26	29
	3840	2157	173	4000	2317	4200x150x180	31	34
	4840	2719	219	5000	2879	5200x150x180	41	48
5840	3281	264	6000	3441	6200x150x180	51	58	
16:10	1840	1150	85	2000	1310	2200x150x180	13	16
	2340	1463	109	2500	1623	2700x150x180	17	20
	2840	1775	132	3000	1935	3200x150x180	22	25
	3340	2088	155	3500	2248	3700x150x180	27	30
	3840	2400	178	4000	2560	4200x150x180	32	35
	4840	3025	225	5000	3185	5200x150x180	43	50
5840	3650	271	6000	3810	6200x150x180	53	60	
21:9	1840	783	79	2000	943	2200x150x180	12	15
	2340	996	100	2500	1156	2700x150x180	16	19
	2840	1209	122	3000	1369	3200x150x180	21	24
	3340	1421	143	3500	1581	3700x150x180	26	29
	3840	1634	164	4000	1794	4200x150x180	31	34
	4840	2060	207	5000	2220	5200x150x180	41	48
5840	2485	250	6000	2645	6200x150x180	51	58	

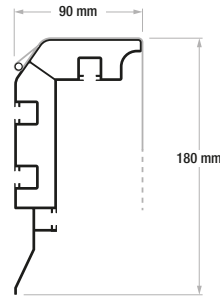
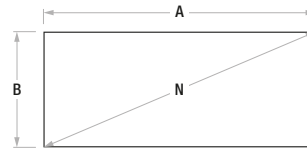


FramePro RB Rear Buttons

Aspect Ratio	Viewing Width	Viewing Height	Diagonal Inches	Overall Width	Overall Height	Packaging Dimensions	Net Weight	Gross Weight
	C	D	N	A	B	mm	kg	kg
4:3	1840	1383	91	2000	1543	2200x150x180	13	16
	2340	1759	115	2500	1919	2700x150x180	17	20
	2840	2135	140	3000	2295	3200x150x180	22	25
	3340	2511	165	3500	2671	3700x150x180	27	30
	3840	2887	189	4000	3047	4200x150x180	32	35
	4840	3639	238	5000	3799	5200x150x180	43	50
5840	4391	288	6000	4551	6200x150x180	53	60	
16:9	1840	1034	83	2000	1194	2200x150x180	12	15
	2340	1315	106	2500	1475	2700x150x180	16	19
	2840	1596	128	3000	1756	3200x150x180	21	24
	3340	1876	151	3500	2036	3700x150x180	26	29
	3840	2157	173	4000	2317	4200x150x180	31	34
	4840	2719	219	5000	2879	5200x150x180	41	48
5840	3281	264	6000	3441	6200x150x180	51	58	
16:10	1840	1150	85	2000	1310	2200x150x180	13	16
	2340	1463	109	2500	1623	2700x150x180	17	20
	2840	1775	132	3000	1935	3200x150x180	22	25
	3340	2088	155	3500	2248	3700x150x180	27	30
	3840	2400	178	4000	2560	4200x150x180	32	35
	4840	3025	225	5000	3185	5200x150x180	43	50
5840	3650	271	6000	3810	6200x150x180	53	60	
21:9	1840	783	79	2000	943	2200x150x180	12	15
	2340	996	100	2500	1156	2700x150x180	16	19
	2840	1209	122	3000	1369	3200x150x180	21	24
	3340	1421	143	3500	1581	3700x150x180	26	29
	3840	1634	164	4000	1794	4200x150x180	31	34
	4840	2060	207	5000	2220	5200x150x180	41	48
5840	2485	250	6000	2645	6200x150x180	51	58	

Cinema

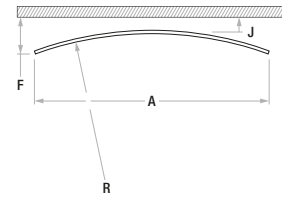
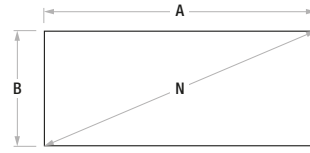
Aspect ratio	Viewing Width	Viewing Height	Diagonal Inches	Overall Width	Overall Height
	A	B	N	A	B
1,78 (16:9)	7000	3933	316	7000	3933
	8000	4494	361	8000	4494
	9000	5056	406	9000	5056
	10000	5618	452	10000	5618
	11000	6180	497	11000	6180
	12000	6742	542	12000	6742
	13000	7303	587	13000	7303
	14000	7865	632	14000	7865
	15000	8427	677	15000	8427
	16000	8989	723	16000	8989
17000	9551	768	17000	9551	
1,89	7000	3704	312	7000	3704
	8000	4233	356	8000	4233
	9000	4762	401	9000	4762
	10000	5291	445	10000	5291
	11000	5820	490	11000	5820
	12000	6349	534	12000	6349
	13000	6878	579	13000	6878
	14000	7407	624	14000	7407
	15000	7937	668	15000	7937
	16000	8466	713	16000	8466
17000	8995	757	17000	8995	
18000	9524	802	18000	9524	
2,35 (21:9)	7000	2979	300	7000	2979
	8000	3404	342	8000	3404
	9000	3830	385	9000	3830
	10000	4255	428	10000	4255
	11000	4681	471	11000	4681
	12000	5106	513	12000	5106
	13000	5532	556	13000	5532
	14000	5957	599	14000	5957
	15000	6383	642	15000	6383
	16000	6809	685	16000	6809
	17000	7234	727	17000	7234
	18000	7660	770	18000	7660
	19000	8085	813	19000	8085
20000	8511	856	20000	8511	
21000	8936	899	21000	8936	
22000	9362	941	22000	9362	
23000	9787	984	23000	9787	
2,37	7000	2954	299	7000	2954
	8000	3376	342	8000	3376
	9000	3797	385	9000	3797
	10000	4219	427	10000	4219
	11000	4641	470	11000	4641
	12000	5063	513	12000	5063
	13000	5485	556	13000	5485
	14000	5907	598	14000	5907
	15000	6329	641	15000	6329
	16000	6751	684	16000	6751
	17000	7173	726	17000	7173
	18000	7595	769	18000	7595
	19000	8017	812	19000	8017
20000	8439	855	20000	8439	
21000	8861	897	21000	8861	
22000	9283	940	22000	9283	
23000	9705	983	23000	9705	
2,40	7000	2917	299	7000	2917
	8000	3333	341	8000	3333
	9000	3750	384	9000	3750
	10000	4167	427	10000	4167
	11000	4583	469	11000	4583
	12000	5000	512	12000	5000
	13000	5417	554	13000	5417
	14000	5833	597	14000	5833
	15000	6250	640	15000	6250
	16000	6667	682	16000	6667
	17000	7083	725	17000	7083
	18000	7500	768	18000	7500
	19000	7917	810	19000	7917
	20000	8333	853	20000	8333
21000	8750	896	21000	8750	
22000	9167	938	22000	9167	
23000	9583	981	23000	9583	
24000	10000	1024	24000	10000	



Packaging Dimensions,
Net and Gross Weights are
available upon request.

Cinema Curved

Aspect ratio	Viewing Width	Viewing Height	Diagonal Inches	Overall Width	Overall Height	Total Depth	Surface/Wall Distance	Radius of Curvature
	A	B	N	A	B	F	J	R
1,78 (16:9)	7000	3933	316	7000	3933	350	180	36047
	8000	4494	361	8000	4494	350	155	41197
	9000	5056	406	9000	5056	400	181	46346
	10000	5618	452	10000	5618	400	157	51496
	11000	6180	497	11000	6180	450	182	56646
	12000	6742	542	12000	6742	450	158	61795
	13000	7303	587	13000	7303	500	184	66945
	14000	7865	632	14000	7865	500	159	72094
	15000	8427	677	15000	8427	550	185	77244
	16000	8989	723	16000	8989	550	161	82394
17000	9551	768	17000	9551	600	186	87543	
1,89	7000	3704	312	7000	3704	350	180	36047
	8000	4233	356	8000	4233	350	155	41197
	9000	4762	401	9000	4762	400	181	46346
	10000	5291	445	10000	5291	400	157	51496
	11000	5820	490	11000	5820	450	182	56646
	12000	6349	534	12000	6349	450	158	61795
	13000	6878	579	13000	6878	500	184	66945
	14000	7407	624	14000	7407	500	159	72094
	15000	7937	668	15000	7937	550	185	77244
	16000	8466	713	16000	8466	550	161	82394
17000	8995	757	17000	8995	600	186	87543	
18000	9524	802	18000	9524	600	162	92693	
2,35 (21:9)	7000	2979	300	7000	2979	350	180	36047
	8000	3404	342	8000	3404	350	155	41197
	9000	3830	385	9000	3830	400	181	46346
	10000	4255	428	10000	4255	400	157	51496
	11000	4681	471	11000	4681	450	182	56646
	12000	5106	513	12000	5106	450	158	61795
	13000	5532	556	13000	5532	500	184	66945
	14000	5957	599	14000	5957	500	159	72094
	15000	6383	642	15000	6383	550	185	77244
	16000	6809	685	16000	6809	550	161	82394
17000	7234	727	17000	7234	600	186	87543	
18000	7660	770	18000	7660	600	162	92693	
19000	8085	813	19000	8085	650	188	97842	
20000	8511	856	20000	8511	700	213	102992	
21000	8936	899	21000	8936	750	239	108142	
22000	9362	941	22000	9362	800	265	113291	
23000	9787	984	23000	9787	800	240	118441	
2,37	7000	2954	299	7000	2954	350	180	36047
	8000	3376	342	8000	3376	350	155	41197
	9000	3797	385	9000	3797	400	181	46346
	10000	4219	427	10000	4219	400	157	51496
	11000	4641	470	11000	4641	450	182	56646
	12000	5063	513	12000	5063	450	158	61795
	13000	5485	556	13000	5485	500	184	66945
	14000	5907	598	14000	5907	500	159	72094
	15000	6329	641	15000	6329	550	185	77244
	16000	6751	684	16000	6751	550	161	82394
17000	7173	726	17000	7173	600	186	87543	
18000	7595	769	18000	7595	600	162	92693	
19000	8017	812	19000	8017	650	188	97842	
20000	8439	855	20000	8439	700	213	102992	
21000	8861	897	21000	8861	750	239	108142	
22000	9283	940	22000	9283	800	265	113291	
23000	9705	983	23000	9705	800	240	118441	
2,40	7000	2917	299	7000	2917	350	180	36047
	8000	3333	341	8000	3333	350	155	41197
	9000	3750	384	9000	3750	400	181	46346
	10000	4167	427	10000	4167	400	157	51496
	11000	4583	469	11000	4583	450	182	56646
	12000	5000	512	12000	5000	450	158	61795
	13000	5417	554	13000	5417	500	184	66945
	14000	5833	597	14000	5833	500	159	72094
	15000	6250	640	15000	6250	550	185	77244
	16000	6667	682	16000	6667	550	161	82394
17000	7083	725	17000	7083	600	186	87543	
18000	7500	768	18000	7500	600	162	92693	
19000	7917	810	19000	7917	650	188	97842	
20000	8333	853	20000	8333	700	213	102992	
21000	8750	896	21000	8750	750	239	108142	
22000	9167	938	22000	9167	800	265	113291	
23000	9583	981	23000	9583	800	240	118441	
24000	10000	1024	24000	10000	850	266	123590	

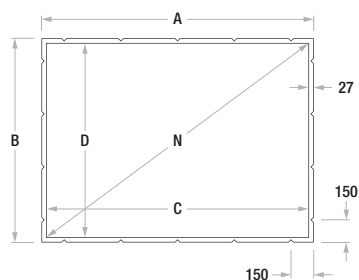


Packaging Dimensions,
Net and Gross Weights are
available upon request.

Easy Surface

Aspect Ratio	Viewing Width	Viewing Height	Diagonal Inches	Overall Width	Overall Height	Net Weight	Gross Weight
	C	D	N	A	B	kg	kg
1.00 (1:1)	2000	2000	111	2054	2054	6	10
	2500	2500	139	2554	2554	8	12
	3000	3000	167	3054	3054	10	14
	3500	3500	195	3554	3554	13	17
	4000	4000	223	4054	4054	15	19
	4500	4500	251	4554	4554	19	23
	5000	5000	278	5054	5054	22	26
	5500	5500	306	5554	5554	26	30
	6000	6000	334	6054	6054	30	34
	6500	6500	362	6554	6554	34	38
7000	7000	390	7054	7054	39	43	
1.33 (4:3)	2000	1504	99	2054	1558	5	9
	2500	1880	123	2554	1934	7	11
	3000	2256	148	3054	2310	8	12
	3500	2632	172	3554	2686	10	14
	4000	3008	197	4054	3062	13	17
	4500	3383	222	4554	3437	15	19
	5000	3759	246	5054	3813	18	22
	5500	4135	271	5554	4189	20	24
	6000	4511	296	6054	4565	24	28
	6500	4887	320	6554	4941	27	31
7000	5263	345	7054	5317	31	35	
7500	5639	369	7554	5693	35	39	
8000	6015	394	8054	6069	39	43	
8500	6391	419	8554	6445	43	47	
9000	6767	443	9054	6821	48	52	
1.60 (16:10)	2000	1250	93	2054	1304	5	9
	2500	1563	116	2554	1617	6	10
	3000	1875	139	3054	1929	8	12
	3500	2188	162	3554	2242	9	13
	4000	2500	186	4054	2554	11	15
	4500	2813	209	4554	2867	13	17
	5000	3125	232	5054	3179	15	19
	5500	3438	255	5554	3492	18	22
	6000	3750	279	6054	3804	20	24
	6500	4063	302	6554	4117	23	27
7000	4375	325	7054	4429	26	30	
7500	4688	348	7554	4742	30	34	
8000	5000	371	8054	5054	33	37	
8500	5313	395	8554	5367	37	41	
9000	5625	418	9054	5679	40	44	
9500	5938	441	9554	5992	45	49	
10000	6250	464	10054	6304	49	53	
11000	6875	511	11054	6929	58	62	
1.78 (16:9)	2000	1124	90	2054	1178	5	9
	2500	1404	113	2554	1458	6	10
	3000	1685	135	3054	1739	7	11
	3500	1966	158	3554	2020	9	13
	4000	2247	181	4054	2301	10	14
	4500	2528	203	4554	2582	12	16
	5000	2809	226	5054	2863	14	18
	5500	3090	248	5554	3144	16	20
	6000	3371	271	6054	3425	19	23
	6500	3652	294	6554	3706	21	25
7000	3933	316	7054	3987	24	28	
7500	4213	339	7554	4267	27	31	
8000	4494	361	8054	4548	30	34	
8500	4775	384	8554	4829	33	37	
9000	5056	406	9054	5110	37	41	
9500	5337	429	9554	5391	41	45	
10000	5618	452	10054	5672	44	48	
11000	6180	497	11054	6234	53	57	
12000	6742	542	12054	6796	62	66	
1.89	2000	1058	89	2054	1112	5	9
	2500	1323	111	2554	1377	6	10
	3000	1587	134	3054	1641	7	11
	3500	1852	156	3554	1906	8	12
	4000	2116	178	4054	2170	10	14
	4500	2381	200	4554	2435	12	16
	5000	2646	223	5054	2700	14	18
	5500	2910	245	5554	2964	16	20
	6000	3175	267	6054	3229	18	22
	6500	3439	290	6554	3493	20	24
7000	3704	312	7054	3758	23	27	
7500	3968	334	7554	4022	26	30	
8000	4233	356	8054	4287	29	33	
8500	4497	379	8554	4551	32	36	
9000	4762	401	9054	4816	35	39	
9500	5026	423	9554	5080	39	43	
10000	5291	445	10054	5345	42	46	
11000	5820	490	11054	5874	50	54	
12000	6349	534	12054	6403	59	63	
13000	6878	579	13054	6932	68	72	

Aspect Ratio	Viewing Width	Viewing Height	Diagonal Inches	Overall Width	Overall Height	Net Weight	Gross Weight
	C	D	N	A	B	kg	kg
2.35 (21:9)	2000	851	86	2054	905	4	8
	2500	1064	107	2554	1118	5	9
	3000	1277	128	3054	1331	6	10
	3500	1489	150	3554	1543	7	11
	4000	1702	171	4054	1756	9	13
	4500	1915	193	4554	1969	10	14
	5000	2128	214	5054	2182	12	16
	5500	2340	235	5554	2394	13	17
	6000	2553	257	6054	2607	15	19
	6500	2766	278	6554	2820	17	21
7000	2979	300	7054	3033	19	23	
7500	3191	321	7554	3245	22	26	
8000	3404	342	8054	3458	24	28	
8500	3617	364	8554	3671	27	31	
9000	3830	385	9054	3884	29	33	
9500	4043	406	9554	4097	32	36	
10000	4255	428	10054	4309	35	39	
11000	4681	471	11054	4735	41	45	
12000	5106	513	12054	5160	48	52	
13000	5532	556	13054	5586	56	60	
14000	5957	599	14054	6011	64	68	
15000	6383	642	15054	6437	72	76	
16000	6809	685	16054	6863	82	86	
2.37	2000	844	85	2054	898	4	8
	2500	1055	107	2554	1109	5	9
	3000	1266	128	3054	1320	6	10
	3500	1477	150	3554	1531	7	11
	4000	1688	171	4054	1742	9	13
	4500	1899	192	4554	1953	10	14
	5000	2110	214	5054	2164	12	16
	5500	2321	235	5554	2375	13	17
	6000	2532	256	6054	2586	15	19
	6500	2743	278	6554	2797	17	21
7000	2954	299	7054	3008	19	23	
7500	3165	320	7554	3219	22	26	
8000	3376	342	8054	3430	24	28	
8500	3586	363	8554	3640	26	30	
9000	3797	385	9054	3851	29	33	
9500	4008	406	9554	4062	32	36	
10000	4219	427	10054	4273	35	39	
11000	4641	470	11054	4695	41	45	
12000	5063	513	12054	5117	48	52	
13000	5485	556	13054	5539	55	59	
14000	5907	598	14054	5961	63	67	
15000	6329	641	15054	6383	72	76	
16000	6751	684	16054	6805	81	85	
2.40	2000	833	85	2054	887	4	8
	2500	1042	107	2554	1096	5	9
	3000	1250	128	3054	1304	6	10
	3500	1458	149	3554	1512	7	11
	4000	1667	171	4054	1721	9	13
	4500	1875	192	4554	1929	10	14
	5000	2083	213	5054	2137	12	16
	5500	2292	235	5554	2346	13	17
	6000	2500	256	6054	2554	15	19
	6500	2708	277	6554	2762	17	21
7000	2917	299	7054	2971	19	23	
7500	3125	320	7554	3179	21	25	
8000	3333	341	8054	3387	24	28	
8500	3542	363	8554	3596	26	30	
9000	3750	384	9054	3804	29	33	
9500	3958	405	9554	4012	32	36	
10000	4167	427	10054	4221	35	39	
11000	4583	469	11054	4637	41	45	
12000	5000	512	12054	5054	47	51	
13000	5417	554	13054	5471	55	59	
14000	5833	597	14054	5887	63	67	
15000	6250	640	15054	6304	71	75	
16000	6667	682	16054	6721	80	84	

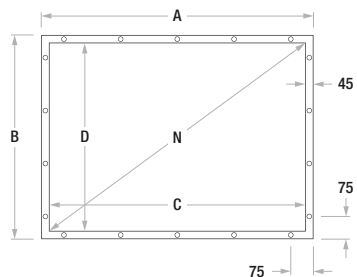


Packaging Dimensions available upon request.

Eyelet Surface

Aspect Ratio	Viewing Width	Viewing Height	Diagonal Inches	Overall Width	Overall Height	Net Weight	Gross Weight
	C	D	N	A	B	kg	kg
1.00 (1:1)	2000	2000	111	2090	2090	6	10
	2500	2500	139	2590	2590	8	12
	3000	3000	167	3090	3090	10	14
	3500	3500	195	3590	3590	13	17
	4000	4000	223	4090	4090	16	20
	4500	4500	251	4590	4590	19	23
	5000	5000	278	5090	5090	22	26
	5500	5500	306	5590	5590	26	30
	6000	6000	334	6090	6090	30	34
	6500	6500	362	6590	6590	35	39
7000	7000	390	7090	7090	40	44	
1.33 (4:3)	2000	1504	99	2090	1594	5	9
	2500	1880	123	2590	1970	7	11
	3000	2256	148	3090	2346	9	13
	3500	2632	172	3590	2722	11	15
	4000	3008	197	4090	3098	13	17
	4500	3383	222	4590	3473	15	19
	5000	3759	246	5090	3849	18	22
	5500	4135	271	5590	4225	21	25
	6000	4511	296	6090	4601	24	28
	6500	4887	320	6590	4977	27	31
7000	5263	345	7090	5353	31	35	
7500	5639	369	7590	5729	35	39	
8000	6015	394	8090	6105	39	43	
8500	6391	419	8590	6481	43	47	
9000	6767	443	9090	6857	48	52	
1.60 (16:10)	2000	1250	93	2090	1340	5	9
	2500	1563	116	2590	1653	6	10
	3000	1875	139	3090	1965	8	12
	3500	2188	162	3590	2278	9	13
	4000	2500	186	4090	2590	11	15
	4500	2813	209	4590	2903	13	17
	5000	3125	232	5090	3215	15	19
	5500	3438	255	5590	3528	18	22
	6000	3750	279	6090	3840	21	25
	6500	4063	302	6590	4153	23	27
7000	4375	325	7090	4465	27	31	
7500	4688	348	7590	4778	30	34	
8000	5000	371	8090	5090	33	37	
8500	5313	395	8590	5403	37	41	
9000	5625	418	9090	5715	41	45	
9500	5938	441	9590	6028	44	49	
10000	6250	464	10090	6340	49	53	
11000	6875	511	11090	6965	58	62	
1.78 (16:9)	2000	1124	90	2090	1214	5	9
	2500	1404	113	2590	1494	6	10
	3000	1685	135	3090	1775	7	11
	3500	1966	158	3590	2056	9	13
	4000	2247	181	4090	2337	10	14
	4500	2528	203	4590	2618	12	16
	5000	2809	226	5090	2899	14	18
	5500	3090	248	5590	3180	17	21
	6000	3371	271	6090	3461	19	23
	6500	3652	294	6590	3742	22	26
7000	3933	316	7090	4023	24	28	
7500	4213	339	7590	4303	27	31	
8000	4494	361	8090	4584	30	34	
8500	4775	384	8590	4865	34	38	
9000	5056	406	9090	5146	37	41	
9500	5337	429	9590	5427	41	45	
10000	5618	452	10090	5708	45	49	
11000	6180	497	11090	6270	53	57	
12000	6742	542	12090	6832	62	66	
1.89	2000	1058	89	2090	1148	5	9
	2500	1323	111	2590	1413	6	10
	3000	1587	134	3090	1677	7	11
	3500	1852	156	3590	1942	8	12
	4000	2116	178	4090	2206	10	14
	4500	2381	200	4590	2471	12	16
	5000	2646	223	5090	2736	14	18
	5500	2910	245	5590	3000	16	20
	6000	3175	267	6090	3265	18	22
	6500	3439	290	6590	3529	21	25
7000	3704	312	7090	3794	23	27	
7500	3968	334	7590	4058	26	30	
8000	4233	356	8090	4323	29	33	
8500	4497	379	8590	4587	32	36	
9000	4762	401	9090	4852	35	39	
9500	5026	423	9590	5116	39	43	
10000	5291	445	10090	5381	43	47	
11000	5820	490	11090	5910	50	54	
12000	6349	534	12090	6439	59	63	
13000	6878	579	13090	6968	68	72	

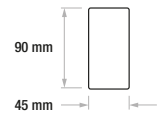
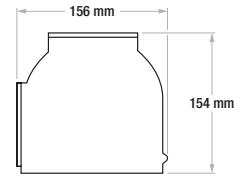
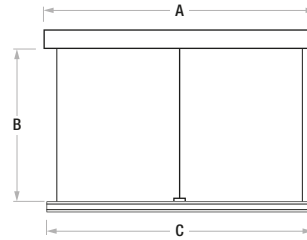
Aspect Ratio	Viewing Width	Viewing Height	Diagonal Inches	Overall Width	Overall Height	Net Weight	Gross Weight
	C	D	N	A	B	kg	kg
2.35 (21:9)	2000	851	86	2090	941	4	8
	2500	1064	107	2590	1154	5	9
	3000	1277	128	3090	1367	6	10
	3500	1489	150	3590	1579	7	11
	4000	1702	171	4090	1792	9	13
	4500	1915	193	4590	2005	10	14
	5000	2128	214	5090	2218	12	16
	5500	2340	235	5590	2430	14	18
	6000	2553	257	6090	2643	15	19
	6500	2766	278	6590	2856	17	21
7000	2979	300	7090	3069	20	24	
7500	3191	321	7590	3281	22	26	
8000	3404	342	8090	3494	24	28	
8500	3617	364	8590	3707	27	31	
9000	3830	385	9090	3920	30	34	
9500	4043	406	9590	4133	33	37	
10000	4255	428	10090	4345	35	39	
11000	4681	471	11090	4771	42	46	
12000	5106	513	12090	5196	49	53	
13000	5532	556	13090	5622	56	60	
14000	5957	599	14090	6047	64	68	
15000	6383	642	15090	6473	73	77	
16000	6809	685	16090	6899	82	86	
2.37	2000	844	85	2090	934	4	8
	2500	1055	107	2590	1145	5	9
	3000	1266	128	3090	1356	6	10
	3500	1477	150	3590	1567	7	11
	4000	1688	171	4090	1778	9	13
	4500	1899	192	4590	1989	10	14
	5000	2110	214	5090	2200	12	16
	5500	2321	235	5590	2411	14	18
	6000	2532	256	6090	2622	15	19
	6500	2743	278	6590	2833	17	21
7000	2954	299	7090	3044	20	24	
7500	3165	320	7590	3255	22	26	
8000	3376	342	8090	3466	24	28	
8500	3586	363	8590	3676	27	31	
9000	3797	385	9090	3887	29	33	
9500	4008	406	9590	4098	31	35	
10000	4219	427	10090	4309	35	39	
11000	4641	470	11090	4731	42	46	
12000	5063	513	12090	5153	48	52	
13000	5485	556	13090	5575	56	60	
14000	5907	598	14090	5997	64	68	
15000	6329	641	15090	6419	72	76	
16000	6751	684	16090	6841	81	85	
2.40	2000	833	85	2090	923	4	8
	2500	1042	107	2590	1132	5	9
	3000	1250	128	3090	1340	6	10
	3500	1458	149	3590	1548	7	11
	4000	1667	171	4090	1757	9	13
	4500	1875	192	4590	1965	10	14
	5000	2083	213	5090	2173	12	16
	5500	2292	235	5590	2382	13	17
	6000	2500	256	6090	2590	15	19
	6500	2708	277	6590	2798	17	21
7000	2917	299	7090	3007	19	23	
7500	3125	320	7590	3215	22	26	
8000	3333	341	8090	3423	24	28	
8500	3542	363	8590	3632	26	30	
9000	3750	384	9090	3840	29	33	
9500	3958	405	9590	4048	31	35	
10000	4167	427	10090	4257	35	39	
11000	4583	469	11090	4673	41	45	
12000	5000	512	12090	5090	48	52	
13000	5417	554	13090	5507	55	59	
14000	5833	597	14090	5923	63	67	
15000	6250	640	15090	6340	72	76	
16000	6667	682	16090	6757	81	85	



Packaging Dimensions available upon request.

LiftScreen

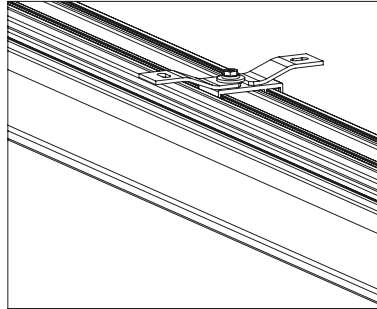
Cable Length	Bar Length	Overall Width	Overall Length	Casing Length	Packaging Dimensions	Net Weight	Gross Weight
					mm	kg	kg
4000	2500	2580	4244	2480	2780x210x220	23	26,5
4000	3500	3580	4244	3480	3780x210x220	32	35,5
4000	4000	4580	4244	4480	4780x210x220	37	40,5



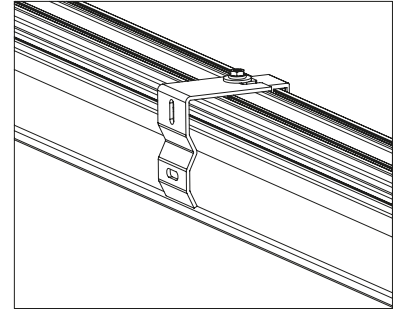
Standard and quick installation systems

The screens of the Elegance and Professional lines, also in the Tensio CTS and Tensio Classic versions, are mounted with two different types of installation, which allow different configurations to suit the various types of applications.

The standard assembly system focuses on aesthetics, and hides the support structure from sight. First of all the standard support device is secured to the bracket with a screw and hooked onto the profile. Then the plastic wrench is used to fasten the bracket in the optimal position: the assembly is finally tightened with a nut (see picture on the right).

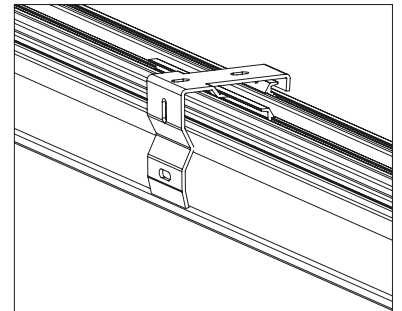


Standard ceiling installation



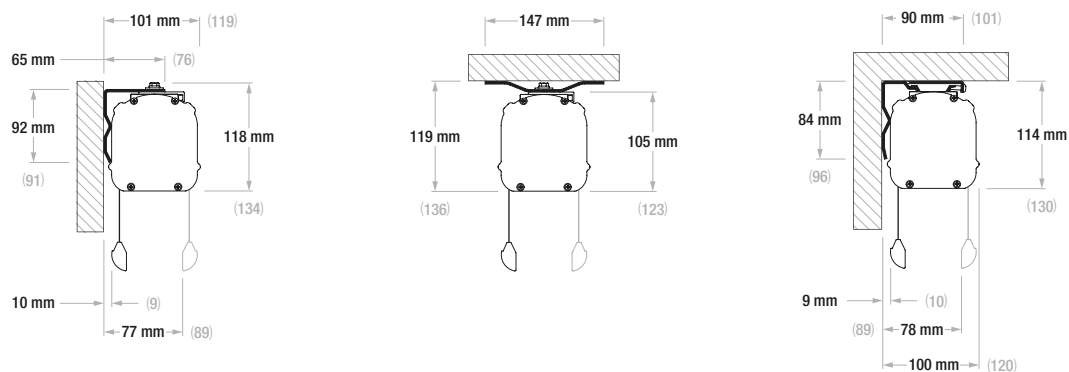
Standard wall installation

The optional quick assembly system is simpler and faster, and ideal for the professional installations. Just anchor the 4 cm and 20 cm hooks of the case into the single (wall- or ceiling-mount) bracket and finally block the screw. To facilitate these operations it is advisable to partially tighten the nut before proceeding with the alignment.

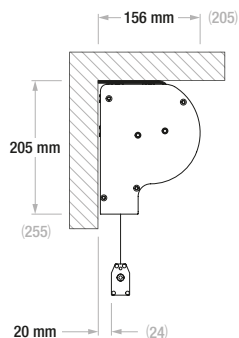


Quick installation

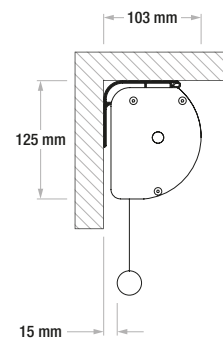
Installation of 103 (and 119) mm case screens



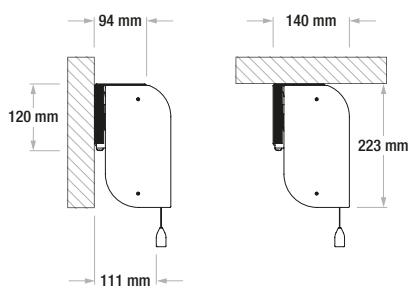
Installation of OnSuperior screens with 90 (and 120) mm rolling tube



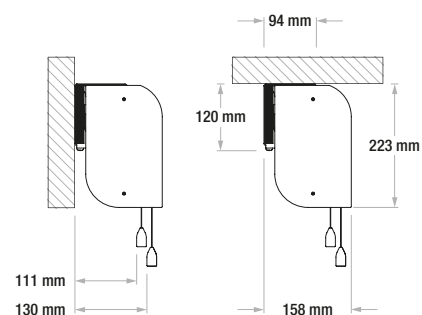
Installation of Linear SE screens



Installation of Multifformat screens

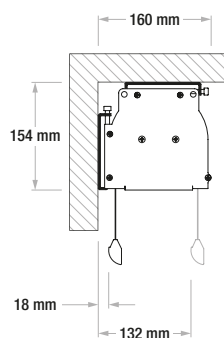


Installation of Biformat screens

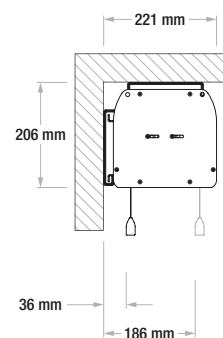


Installation of large-scale screens

The Alumid screen, whether wall- or ceiling-mounted, is installed exclusively with the quick method, with front or rear surface drop. The structure of the case enables immediate anchoring to the bracket.



Same type of case and same installation method also for big brother Max One: quick wall- or ceiling-mount, with front or rear drop of the canvas. The version without case is supplied with two side brackets for wall and ceiling mounting and use a pivot with a range of 7 cm to make the installation easier.



The range of Adeo screens is complemented by a series of accessories for use during installation or for personalizing the control of the operative phases.

Screen's remote control interface

(RF, RS232 and Trigger)

The Adeo control interface has been designed to control the screens' various motorisations via different command modalities.

The hardware card features two types of connection: the first enables the connection of a two-phase motor to a common-forward-reverse-ground cabling; the second connects Adeo screens equipped with radio-integrated motors. The interface can be used in the following modalities:

- > Radio Frequency (RF)
- > 12V Trigger
- > Low voltage dry contacts via relay or RS232



Remote controls used with interfaces

Way remote control for management of 1 or more screens.



Way portable supports

Supports for inserting Way remote control. Adeo offers an extensive range of models for every kind of furnishing: shockproof supports for tabletop and wall-mount (white), oval shockproof supports for tabletop (available in orange, white or transparent) and square or rectangular wall-mount holder (available in aluminium, white, graphite, black, transparent, and aqua green).



Infrared receiver and remote control

(for motorized screen)

Compatible with screen models with standard mechanical motor.

The kit is composed of a receiver control unit, external IR receiver with connection cable (1 m) and transmitter.



External RF unit

Compatible with any mechanical motor

The kit is composed of a RF receiver control unit and a 12V Wireless Trigger.



External RF unit

Compatible any mechanical motor

The kit is composed of a RF receiver control unit and a Syncro Power Relay.



Extension brackets for rolling screens

Extension brackets available in glossy powder-varnished white (RAL 9016) for standard brackets supplied for anchoring all types of screens, to be applied in the presence of obstacles on the wall or ceiling. Available in the following sizes: 200 mm (up to 150 Kg), 360 mm (up to 100 kg), 440 mm (up to 80 kg), 520 mm (up to 70 kg) and 600 mm (up to 50 kg). Weights and sizes refer to a single bracket. The use of more extension brackets allows a higher load-bearing capacity: for example, three 200 mm extensions can bear a weight of 450 kg.



Adjustable legs for FramePro and Plano screens

Pair of professional floor legs for fixed screen models FramePro and Plano. The legs are height-adjustable from a minimum 80 cm to a maximum 284 cm. Suitable only for fixed screens with maximum height of 204 cm.



Adeo Screen Sp. z o.o. reserves the right to modify its products and technical data at any time without prior notice.
All technical data in this catalogue is updated based on the Adeo Screen Price List Version 01/2017.

Dimensional tolerance

All projection surfaces used for manufacturing video projection screens are made of PVC or plasticized fiberglass.
Such surfaces are sensitive to temperature and humidity, and therefore the accepted dimensional tolerance is of 1% on every dimensions.

Dimensional tolerance on aluminium profiles are of +/-2 mm.

Dimensional tolerances on overall widths are

+/- 3 mm till 2500 mm overall width

+/- 5 mm till 4000 mm overall width

+/- 10 mm till 8000 mm overall width

+/- 20 mm till 16000 mm overall width

+/- 30 mm till 24000 mm overall width



The logo for Adeo, featuring the word "adeo" in a lowercase, sans-serif font. The letter 'a' is stylized with a small arrow pointing upwards and to the right from its top-left corner.

Adeo Screen Sp. z o.o.

Ul. Bolesława Krzywoustego, 31 - 59-500 Złotoryja - Poland

Tel: +48 76 850 5301 - Fax: +48 76 850 5370

info@adeoscreen.com - www.adeoscreen.com