

QMI-FTCC-TPS4

3.6" QuickMedia® FlipTop Touchpanel Computer Center - International Version

As the perfect front end for Crestron's MediaManager family of low-cost AV distribution products, the ingenious QuickMedia® FlipTop line provides a range of elegant, integrated multimedia interface and control solutions in a stylish flush mount tabletop design.

FlipTop Housing

Handsomely finished in either black anodized or brushed aluminum, the QMI-FTCC-TPS4 mounts flush in any tabletop surface for a clean, professional appearance. The sleek design of the "FlipTop" lid features an integrated color touchpanel to enable complete system control at every interface location. Wiring for the QMI-FTCC-TPS4 is extremely simple requiring just a single **CresCAT?QM** cable (sold separately).

Integrated Touchpanel

The bright 3.6" active matrix color touchscreen provides a fully-customizable user interface for control of AV, lighting, and other functions. With 16-bit Isys® graphics, the QMI-FTCC-TPS4 produces astounding 3D graphics, dynamic text, and full-motion animations complete with WAV file audio feedback. Ten programmable pushbuttons are also included featuring translucent buttons with white LED backlighting and engravable faceplate. To prevent accidental button presses, the touchpanel and pushbuttons are automatically disabled whenever the lid is not fully opened.

Computer Interface

Inputs are provided for one RGB/component signal with corresponding stereo audio to accept a connection from a computer or other high resolution source.

Cable Storage Compartment

Connectivity for computer signals is facilitated using easy pull-out RGB and audio cables (included), which attach to inputs hidden beneath the table surface and stow neatly within the FlipTop compartment when not in use. Excess cable simply drops out-of-sight below the box through

grommets provided in the bottom plate. Network connectivity is easily included using any third-party LAN cable.

International AC Power Outlet

For complete connectivity, the QMI-FTCC-TPS4 includes an AC power receptacle. A choice of outlet types is available to accommodate virtually any country or region including UK, Europe (Schuko), Italy, France, Australia, and China.

Gated Mic Preamp

Two gated microphone inputs are included via terminal block connectors located below the table surface. Both dynamic and condenser type microphones are supported with software switchable 48V phantom power available at both microphone inputs. Balanced or unbalanced line-level sources such as wireless microphones can also be accommodated. Input gain and gating controls for each microphone/line input are fully adjustable at setup, and can also be controlled in real-time from the touchpanel.



QuickMedia® Transport

Using Crestron's revolutionary QuickMedia transport, all input signals are transmitted from the QMI-FTCC-TPS4 to any QuickMedia Receiver or Distribution Center over a single inexpensive CAT5e type cable*. Computer resolutions up to 1920 X 1200 pixels at 60Hz are supported over cable runs up to 450 feet. Audio signals are transmitted digitally with high-performance 24-bit resolution. QuickMedia dramatically simplifies system design and installation, affording a higher level of performance at a lower overall cost.

MediaManager System Integration

Whether using just one FlipTop box or several, complete system operation can be made transparent to the end-user with all signal routing occurring smoothly under the command of the MediaManager control system. Built-in video sensing can be utilized to trigger automatic input selection and power control. Complete MediaManager systems are easy to design, program and adjust from start to finish using Crestron **SystemBuilder?** software.

- > Stylish flush-mount FlipTop housing
- > Integrated 3.6" active matrix color touchpanel
- > 16-Bit Isys graphics | 320 x 240 resolution
- > 10 translucent white backlit pushbuttons
- > WAV file audio feedback
- > RGB/component and audio interface
- > Dual-channel gated mic/line preamp
- > Video sensing | auto-switching
- > Easy pull-out VGA cable management
- > International AC power outlet
- > LAN cable pass-thru
- > QuickMedia Transport | Cresnet and Ethernet communications
- > Easy setup using Crestron SystemBuilder software

QMI-FTCC-TPS4

> Low-cost, quick and easy installation

SPECIFICATIONS

Touchpanel Display

Display Type: TFT active matrix color LCD
Size: 3.6 inch (9.1 cm) diagonal
Aspect Ratio: 4:3 QVGA
Resolution: 320 x 240 pixels
Brightness: 300 nits (cd/m²)
Contrast: 300:1
Color Depth: 16-bit, 64k colors
Illumination: Edgelit LED
Viewing Angle: ±80° horizontal, +80°/-50° vertical
Touchscreen: Resistive Membrane

Touchpanel Processor

CPU: 32-Bit Freescale Coldfire® Microprocessor

Touchpanel Memory

DRAM: 16 MB
Flash: 8 MB

Graphic Engine

lsys engine; 16-bit non-palette graphics; 65,536 colors; Synapse image rendering algorithm; PNG translucency, multi-mode objects, dynamic graphics, full-motion (60 fps) animation

Ethernet - Touchpanel

10BaseT/100BaseTX, auto-switching, auto-negotiating, auto-discovery, full/half duplex, TCP/IP, UDP/IP, CIP, DHCP, IEEE 802.3U compliant

Audio - Touchpanel

Audio Feedback (WAV): 8 bit PCM, mono, 8 kHz sampling rates
Amplification: 1 Watt for built-in speaker

Audio - QM

Features: stereo audio input, 2-channel gated mic preamp
Mic Input Gain: 0 to 100 % (40dB range) plus mute
Gate Level (Threshold): 0 to 100 %
Attack: 0 to 100 mS
Decay (Release): 0 to 5000 mS
A-D Conversion: 24-bit, 48 kHz
Frequency Response: 20Hz to 20kHz

Video - QM

Signal Types: RGB and component video†
RGB Formats: RGBHV, RGBS, or RGSB
Video/HDTV Formats: NTSC or PAL, HDTV up to 1080i/1080p†
Gain: 0dB (75 ohms terminated)
Maximum Resolution: 1920 x 1200 @ 60Hz (at unity gain) with maximum cable length of 450 feet and maximum compensation at receiver

Buttons & Indicators

Keypad: (10) Translucent white backlit pushbuttons, programmable
Reset: (1) Miniature pushbutton accessible via small hole above touchscreen, reboots the touchpanel
PWR (bottom): (1) green LED, indicates 24 Volts DC power supplied from Cresnet control network
NET (bottom): (1) yellow LED, indicates communication with Cresnet system
SETUP (bottom): (1) miniature pushbutton and red LED, used for touch-settable ID (TSID)

Connectors - Front Panel

MAX 250V : (1) Grounded AC socket, AC power pass-thru outlet; Specify Socket Type: **PWR-AU-B** (Australia/China), **PWR-EU-B** (Europe "Schuko"), **PWR-FR-B** (France), **PWR-IT-B** (Italy), or **PWR-UK-B** (UK); Maximum Load: 10 Amps @ 250 Volts AC, 50/60 Hz

Connectors - Bottom Panel

COMPUTER: (1) DB15HD female, RGB(VGA)/component video† input; Formats: RGBHV, RGBS, RGSB, YPbPr; Input Impedance: 75 ohms; H/V Sync Impedance: 1k ohms; Maximum Input Level: 1 Vp-p; Maximum H/V Sync Level: 5 Vp-p; Signal sensing on H, Y, and Gs; Connects to 6 ft VGA patch cable (included)

AUDIO: (1) 3.5mm TRS mini phone jack; Unbalanced stereo line-level audio input Input Impedance: 10k ohms; Maximum Input Level: 1 Vrms; Connects to 6 ft mini-TRS audio patch cable (included)

MIC/LINE 1 - 2: (2) 5-pin 3.5mm detachable terminal blocks; Balanced microphone/line inputs; Balanced Mic Input Level: -60 to -20 dBV nominal; Balanced Line Input Level: -28 to +12 dBV; 4 Vrms maximum; Unbalanced Line Input Level: -34 to +6 dBV; 2 Vrms maximum; Mic Input Impedance: 10k ohms, accepts 60 to 600 ohm source; Line Input Impedance: 22k ohms balanced, 11k ohms unbalanced; Phantom Power: 10 mA (total) @ 48 Volts DC, software enabled to both MIC inputs

ETHERNET: (1) 8-wire RJ45 with 2 LED indicators; Touchpanel 10/100BaseT Ethernet port; Green LED indicates link status; Yellow LED indicates Ethernet activity

MAX 250V: (1) IEC socket; Passes through to front panel AC power outlet

QM: (1) 8-wire RJ45 female, QuickMedia output port; Connects to QM input port of any QuickMedia device via **CresCAT-QM** or **CresCAT-IM** cable*

NET: (2) 4-pin 3.5mm detachable terminal blocks; Cresnet slave ports, paralleled; connect to Cresnet control network via **CresCAT-QM** or **Cresnet** cable

G: (1) 6-32 screw, chassis ground lug

Power Requirements

Cresnet Power Usage: 13 Watts (0.54 Amp @ 24 Volts DC)

Environmental

Temperature: 41° to 104°F (5° to 40°C)
Humidity: 10% to 90% RH (non-condensing)

Enclosure

Black painted metal with black anodized or brushed aluminum cover; integrated touchpanel and keypad with engravable faceplate, cable management; flush tabletop mountable

Dimensions

Height: 5.74 in (14.58 cm) with lid closed
Width: 8.91 in (22.64 cm)

QMI-FTCC-TPS4

* For QuickMedia wiring use CresCAT-QM, CresCAT-IM, or quality CAT5e/CAT6 cable with a delay skew of $\leq 15\text{nS}$ per 100m; the maximum aggregate cable length and delay skew between any QM transmitter (origination point) and QM receiver (endpoint) is 450 ft (137 m) and 22 nS; a maximum of two QM midpoint devices may be inserted in a given QM signal path; exceptions apply, refer to each respective product manual for full detail.

† Component video or HDTV may require a suitable VGA-to-component adapter or breakout cable, not provided.

Available Models

QMI-FTCC-TPS4-B: QuickMedia FlipTop Computer Center with 3.6" Isys Touchpanel, black anodized - International Version. For custom engraving, see Configuration and Ordering Guide. [Discontinued]

QMI-FTCC-TPS4-BALUM: QuickMedia FlipTop Computer Center with 3.6" Isys Touchpanel, brushed aluminum - International Version. For custom engraving, see Configuration and Ordering Guide. [Discontinued]

Included Accessories

FT-TPS4-FP-B_ENGRAVED [6500093]: Engravable Faceplate (blank)
[Included Quantity: 1]

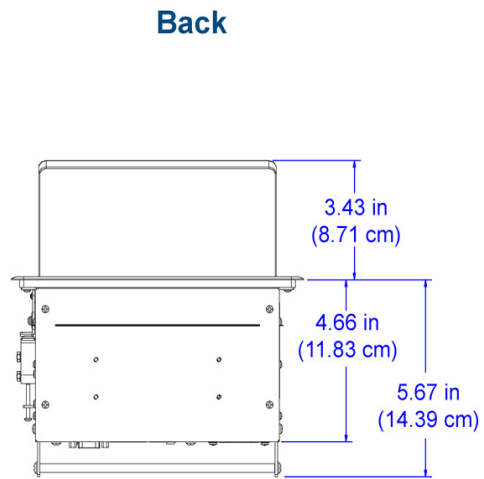
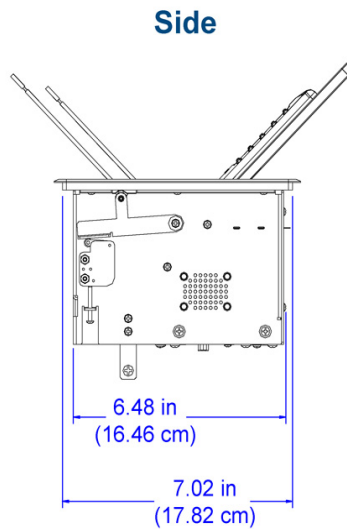
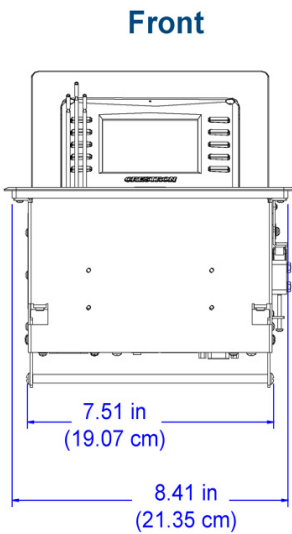
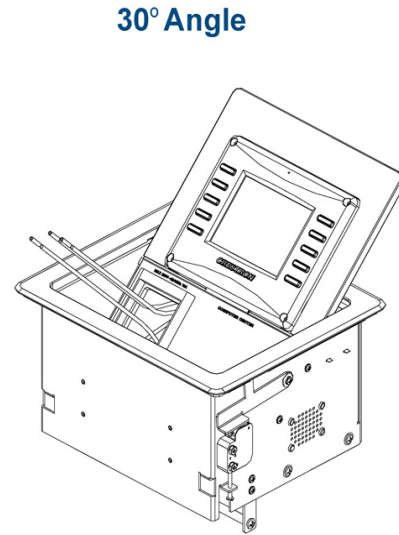
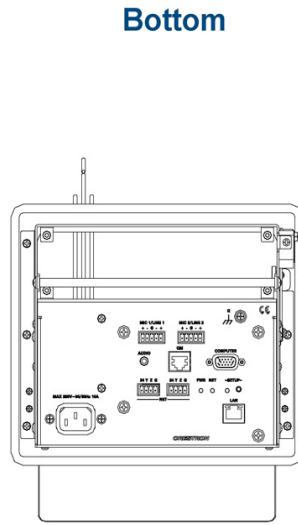
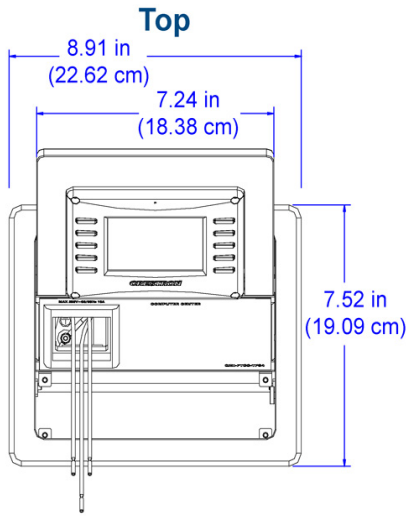
Available Accessories

CRESCAT-QM-NP-SP500 [6500606]: QuickMedia® Cable, Low-skew CAT5e & Cresnet, non-plenum, 500 ft spool [Limited Supply]

CRESCAT-QM-P-SP500 [6500439]: QuickMedia® Cable, Low-skew CAT5e & Cresnet, plenum, 500 ft spool [Limited Supply]

FT-TPS4-FP-B_ENGRAVED [6500093]: Engravable Faceplate

QMI-FTCC-TPS4



With Mounting Hardware

